

fischer 

KDS

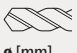




DE Montageanleitung
EN Installation Instruction
FR Mode d'emploi
NL Montagehandleiding
IT Istruzioni per l'installazione
ES Instrucciones de uso
PT Instruções de utilização
DA Installationsvejledning
SV Installationsinstruktioner
NO Installasjonsveiledning
FI Asennusohjeet

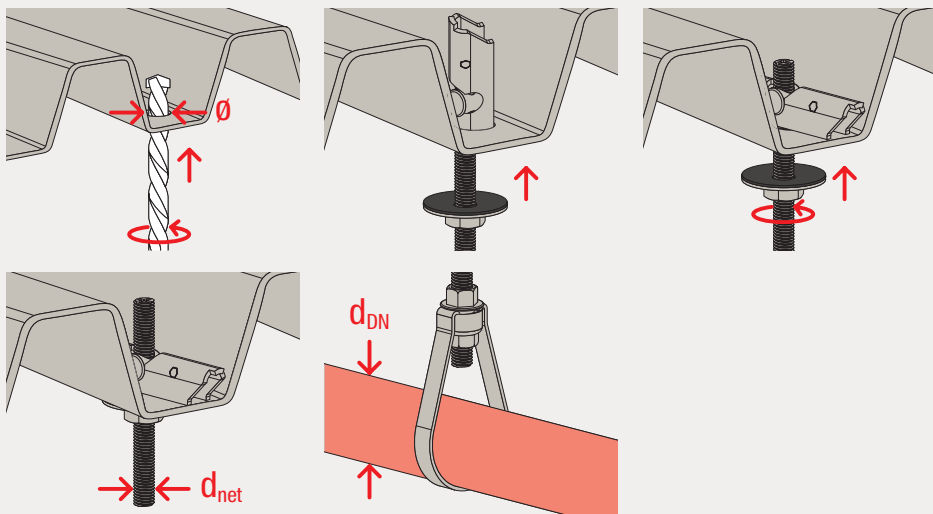
PL Instrukcja instalacji
CS Návod k instalaci
SK Návod na používanie
HU Szerelési útmutató
RO Instrucțiuni de utilizare
SL Navodila za namestitev
HR Upute za instalaciju
SR Uputstvo za instalaciju
BS Instalacijski vodac
SQ Udhëzimet e montimit
TR Kurulum talimatları

EL Οδηγίες Εγκατάστασης
HE הבכרה תוארו
BG Инструкции за инсталиране
RU Инструкция по установке
UK Інструкція з використання
HI ऑपरेटिंग निर्देश
ZH 使用说明书
JA 取扱説明書
KO 사용 설명서
TH คำแนะนำการติดตั้ง
VI hướng dẫn lắp ráp
AR تعليمات الاستخدام

KDS

| Item | Item No. | Approved for use in stationary sprinkler systems (for pipe up to 2") d_{DN} |  ϕ [mm] |  d_{net} |  d_{net} | Permitted tensile load according to VdS and FM for use on trapezoidal sheet metal with a material thickness $\geq 0,63\text{mm}$ | Permissible tensile load for non-VdS and FM-relevant applications on trapezoidal sheet metal* |
|------------|----------|--|--|--|--|--|---|
| KDS 8x100 | 563859 | $\leq \text{DN } 50$ (2") | 22 | M8 | - | 0,8 | 1,0 |
| KDS 8x200 | 563860 | $\leq \text{DN } 50$ (2") | 22 | M8 | - | 0,8 | 1,0 |
| KDS 8x300 | 563861 | $\leq \text{DN } 50$ (2") | 22 | M8 | - | 0,8 | 1,0 |
| KDS 8x500 | 563862 | $\leq \text{DN } 50$ (2") | 22 | M8 | - | 0,8 | 1,0 |
| KDS 10x100 | 563863 | $\leq \text{DN } 50$ (2") | 25 | M10 | M10 | 0,8 | 1,0 |
| KDS 10x200 | 563864 | $\leq \text{DN } 50$ (2") | 25 | M10 | M10 | 0,8 | 1,0 |

* Consider the permissible load capacity of the trapezoidal sheet.



fischerwerke GmbH & Co. KG
 Klaus-Fischer-Straße 1
 72178 Waldachtal
 Germany
 Tel. +49 7443 12-0
 Fax +49 7443 12-4222
 info@fischer.de
 www.fischer-international.com

00193432_01-05/2022 [ajm] - Printed in Germany
 We cannot be responsible for any errors, and we reserve the right to make technical and range modifications without notice.