

fischer 

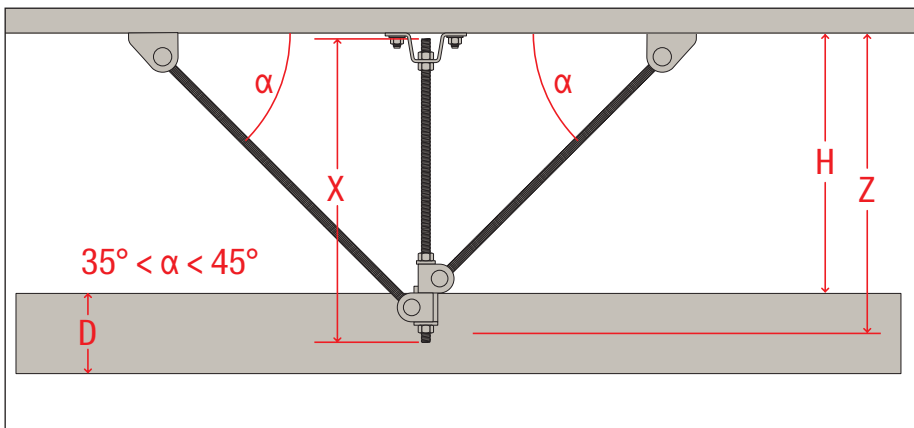
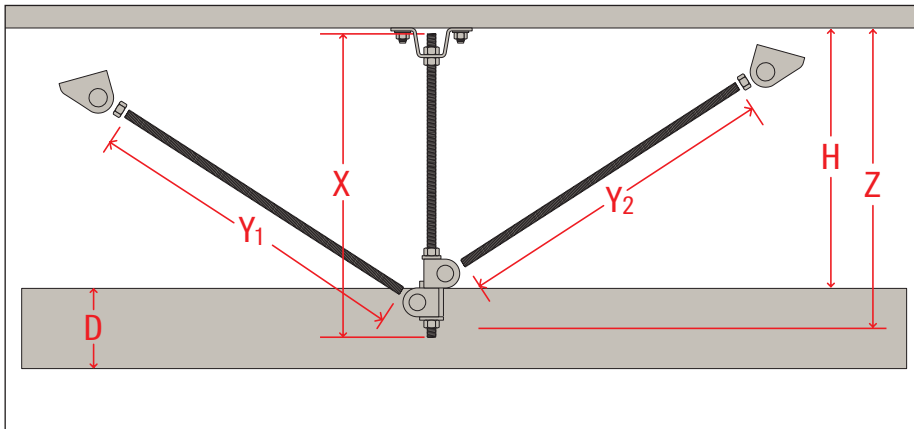
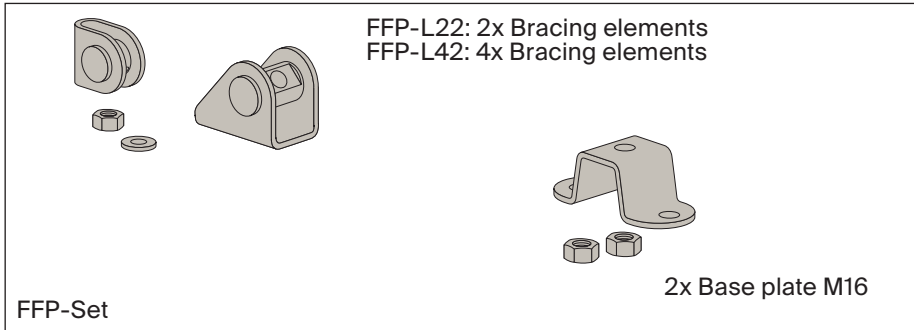
FFP-L22 #567699

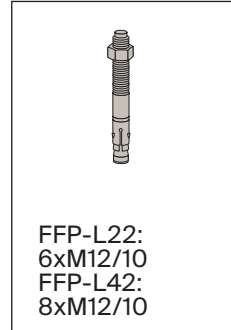
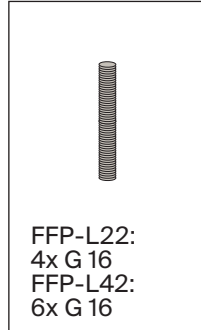
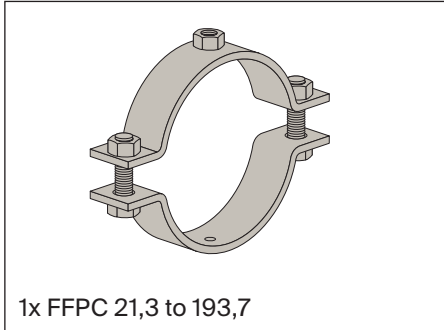
FFP-L42 #567700

DE Bedienungsanleitung
EN Operating instructions
FR Manuel d'utilisation
NL Gebruiksaanwijzing
IT Manuale d'uso

ES Manual de instrucciones.
TR Kullanım Kılavuzu
SV Bruksanvisning
FI Käyttöohje
NO Bruksanvisning

DA Betjeningsvejledning
PL Instrukcja obsługi
SK Používateľská príručka
HU Használati útmutató
CS Návod k obsluze





Z [mm]	X (mm)	Y ₁ (45°) [mm]	Y ₂ (45°) [mm]
200	211	208	137
250	261	279	208
300	311	349	279
350	361	420	349
400	411	491	420
450	461	562	491
500	511	632	562

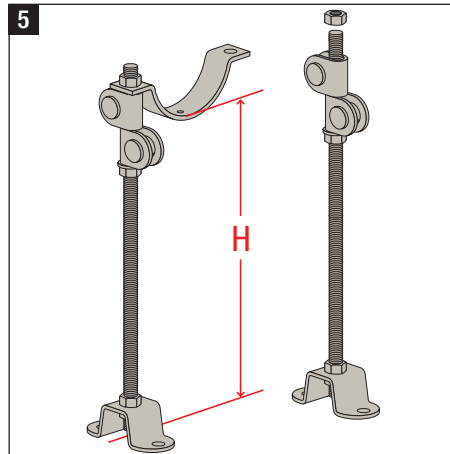
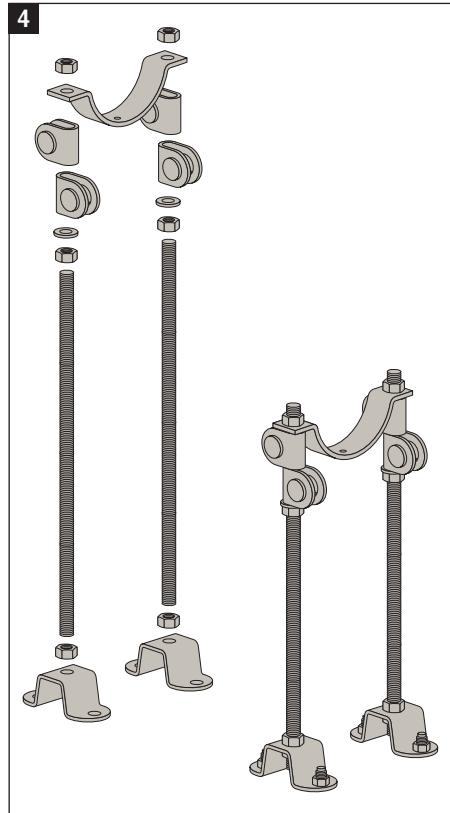
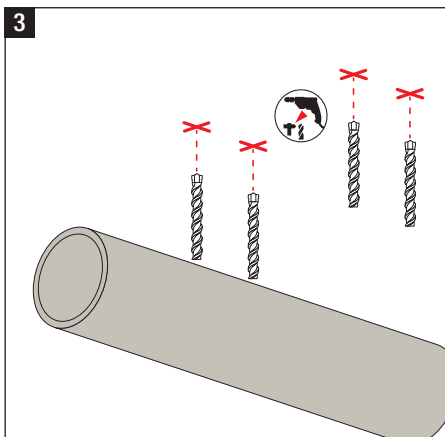
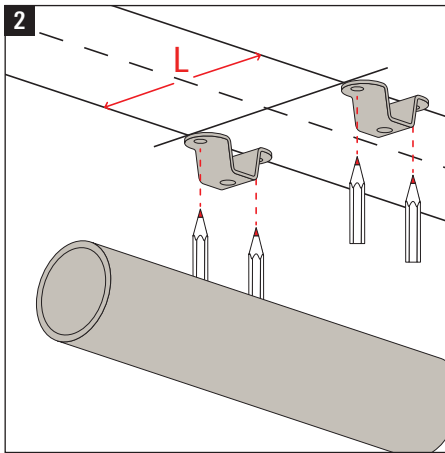
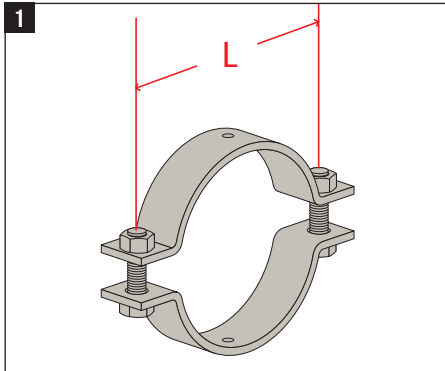
$$X = Z + 11$$

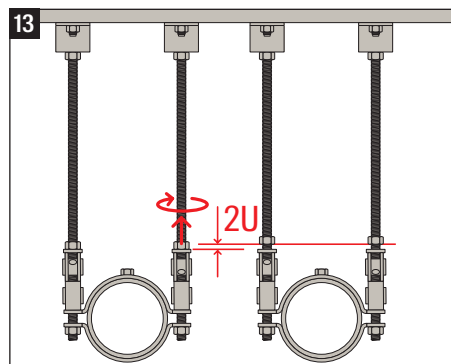
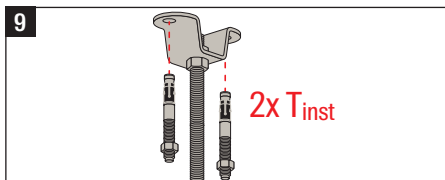
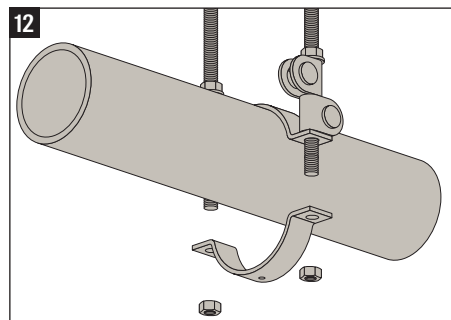
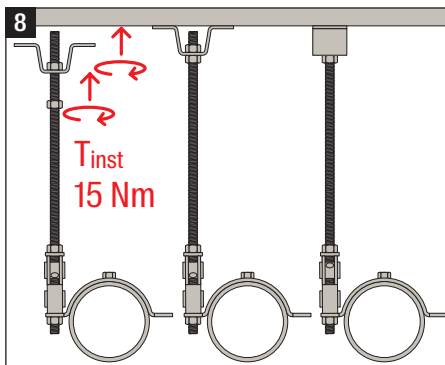
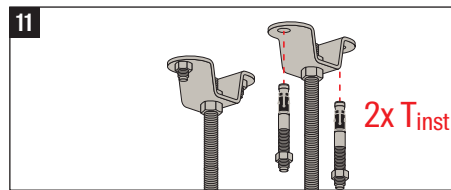
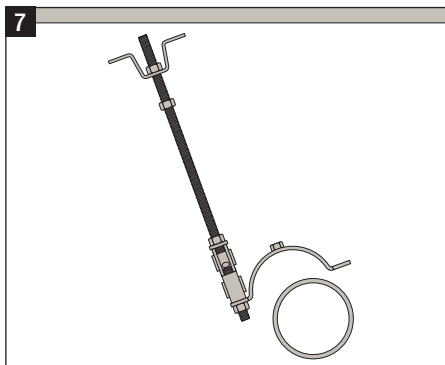
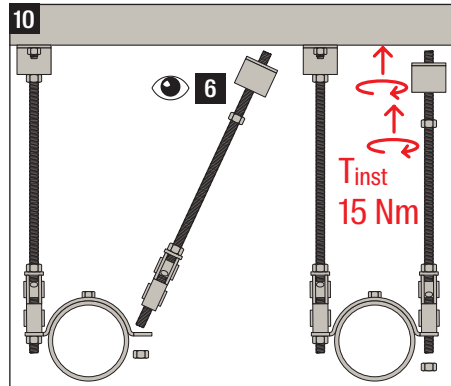
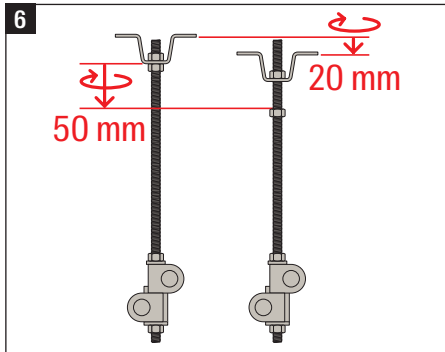
$$Z = H + D/2$$

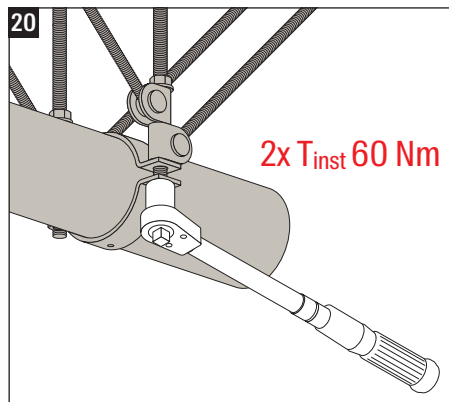
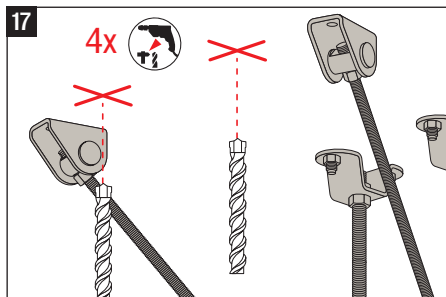
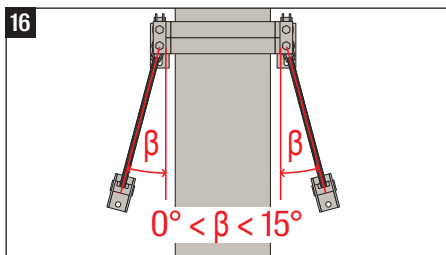
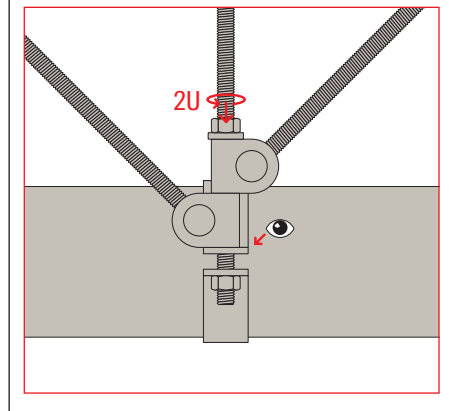
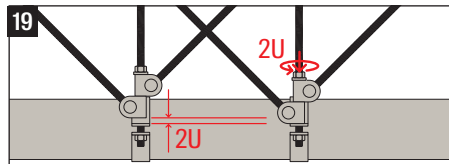
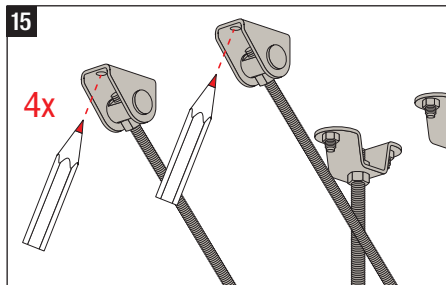
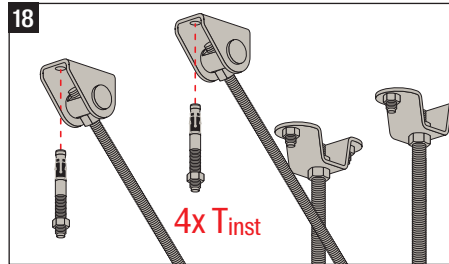
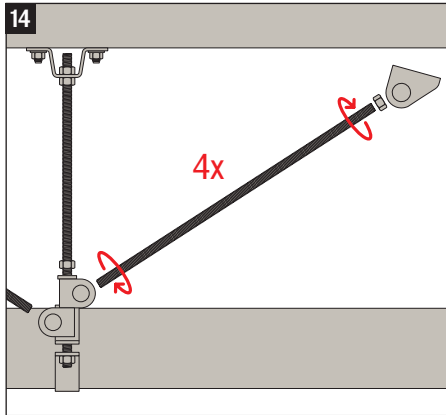
$$Y_1 = \frac{Z - 77}{\sin \alpha} + 34$$

$$Y_2 = \frac{Z - 127}{\sin \alpha} + 34$$



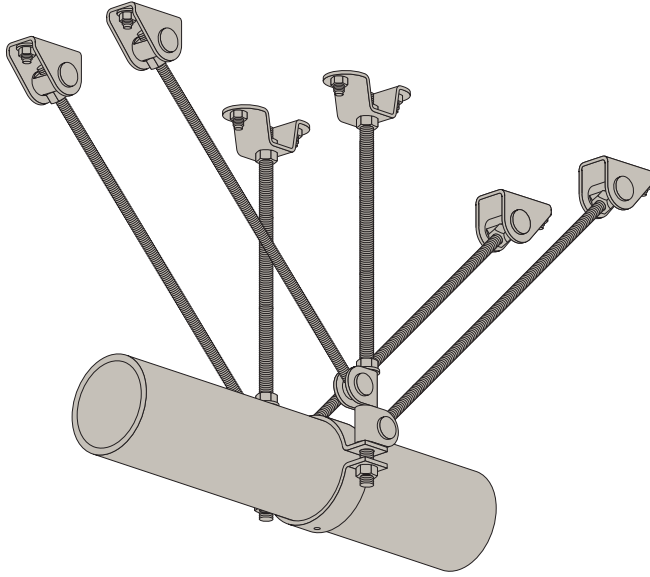




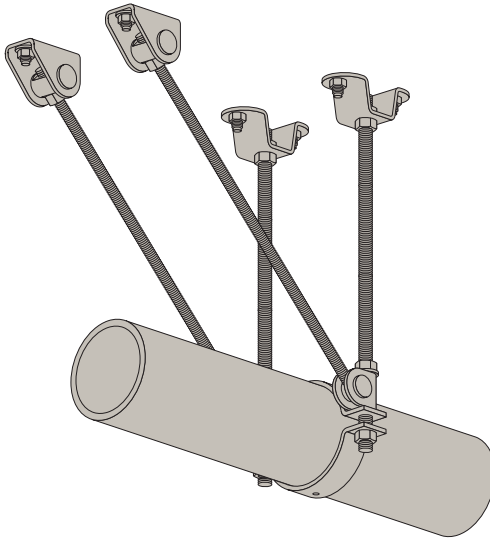




21



22





fischer stands for

Fixing Systems

Automotive

fischertechnik

Consulting

Electronic Solutions

fischerwerke GmbH & Co. KG

Klaus-Fischer-Straße 1
72178 Waldachtal
Germany

P +49 7443 12 - 0
F +49 7443 12 - 8297

info@fischer.de
www.fischer-international.com

00202618 (1) - 09/2023 (W/D) - Printed in Germany.
We cannot be responsible for any errors, and we reserve the right to make technical and range modifications without notice.