

fischer 

FFP-L #567697

FFP-L2 #567698

DE Bedienungsanleitung

EN Operating instructions

FR Manuel d'utilisation

NL Gebruiksaanwijzing

IT Manuale d'uso

ES Manual de instrucciones

TR Kullanım Kılavuzu

SV Bruksanvisning

FI Käyttöohje

NO Bruksanvisning

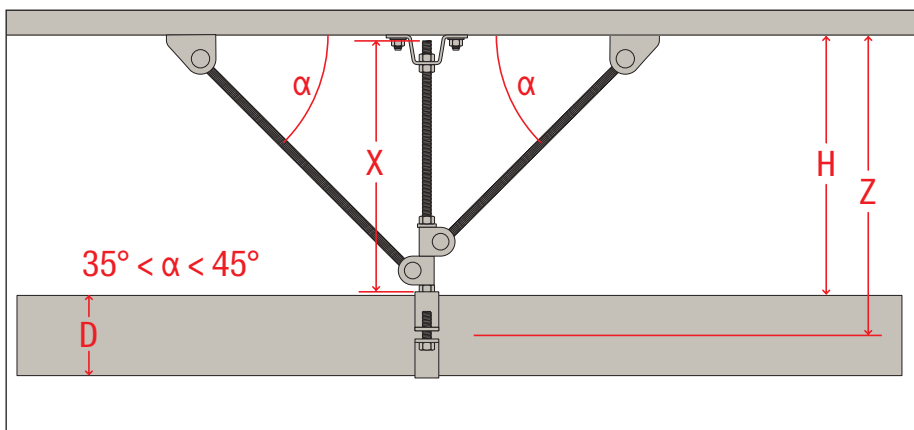
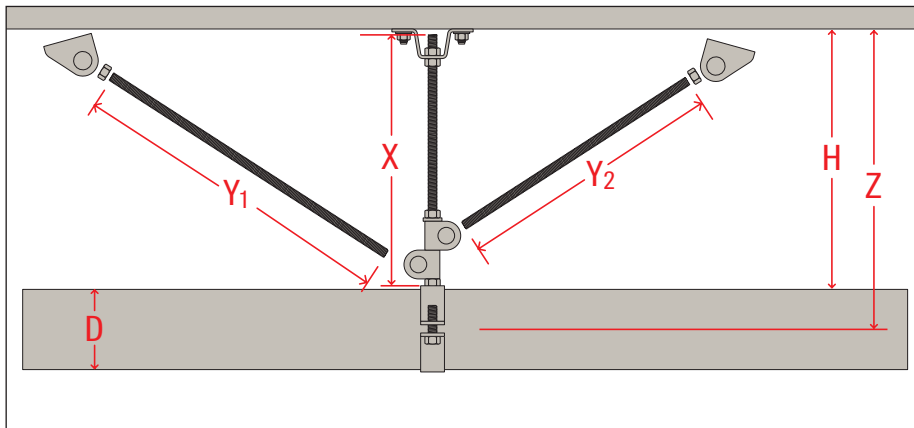
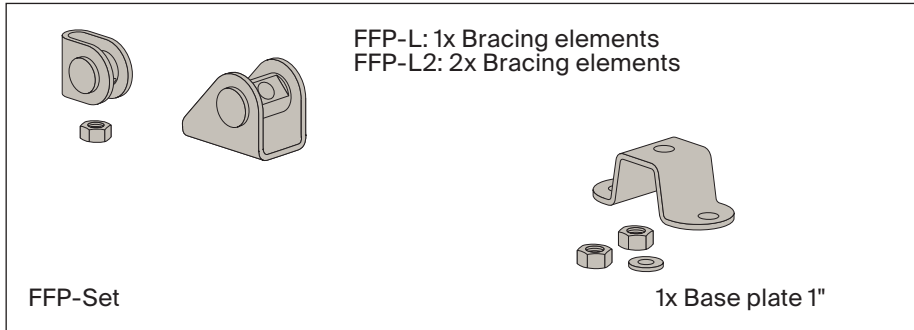
DA Betjeningsvejledning

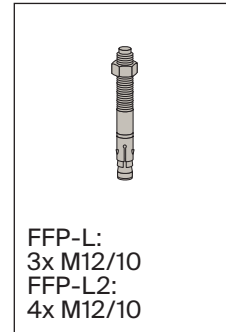
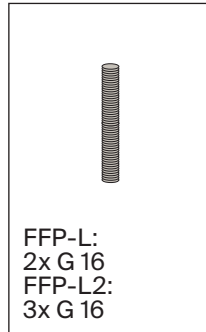
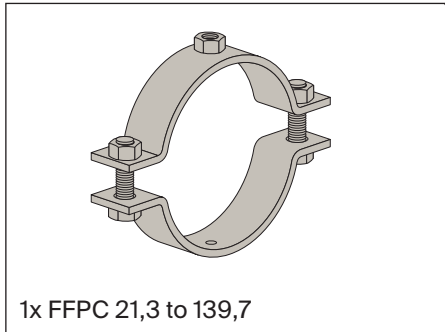
PL Instrukcja obsługi

SK Používateľská príručka

HU Használati útmutató

CS Návod k obsluze





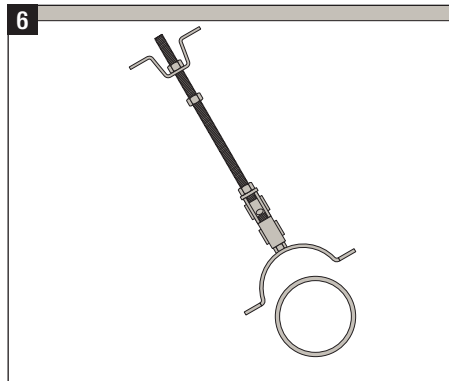
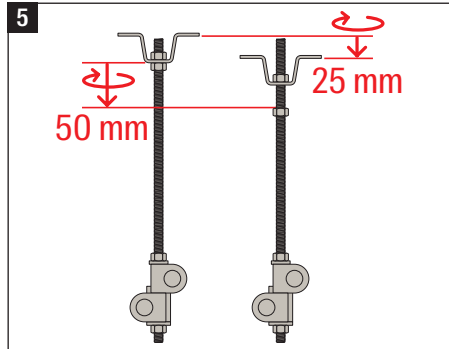
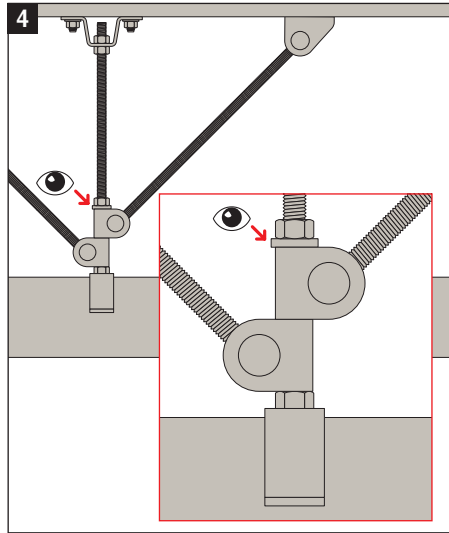
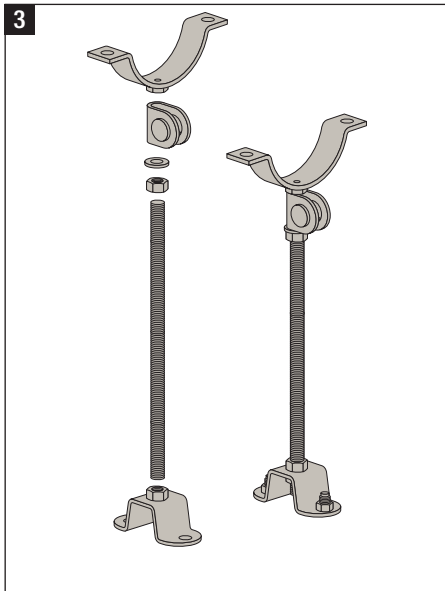
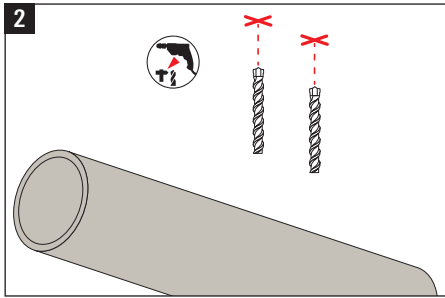
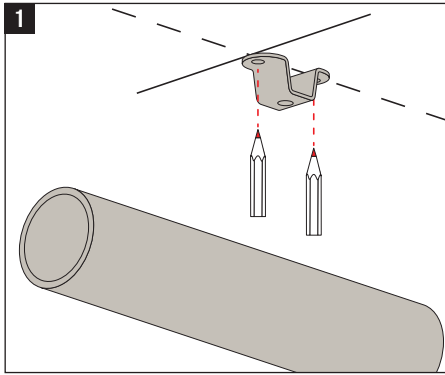
H [mm]	X (mm)	Y ₁ (45°) [mm]	Y ₂ (45°) [mm]
200	170	197	126
250	220	267	197
300	270	338	267
350	320	409	338
400	370	479	409
450	420	550	479
500	470	621	550

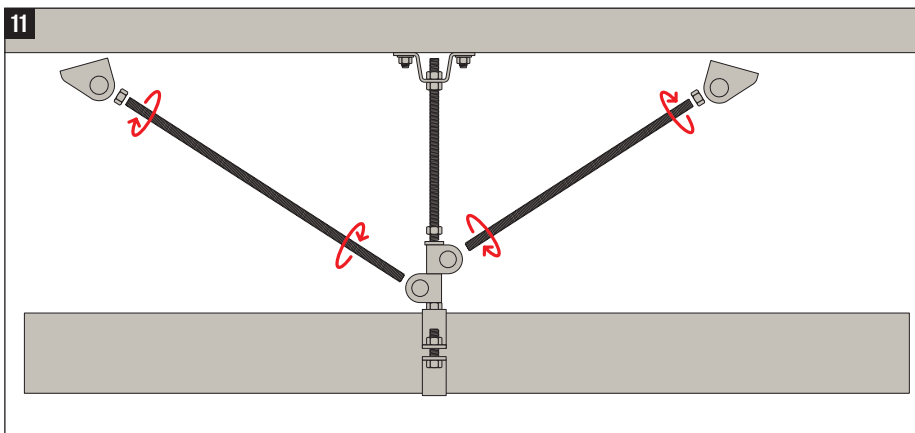
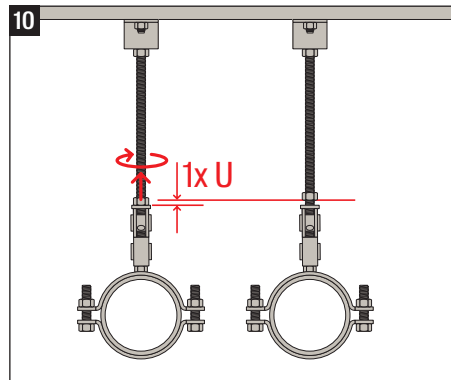
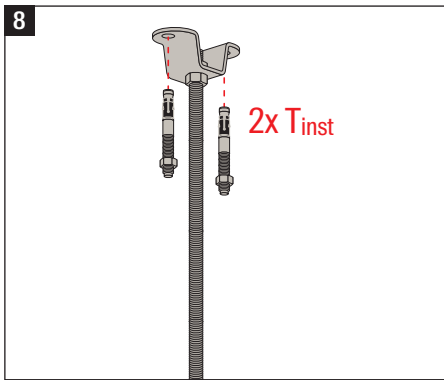
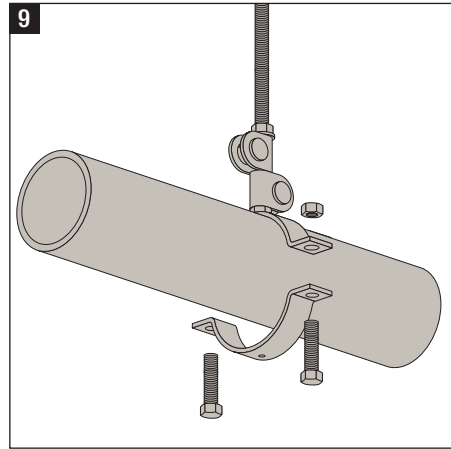
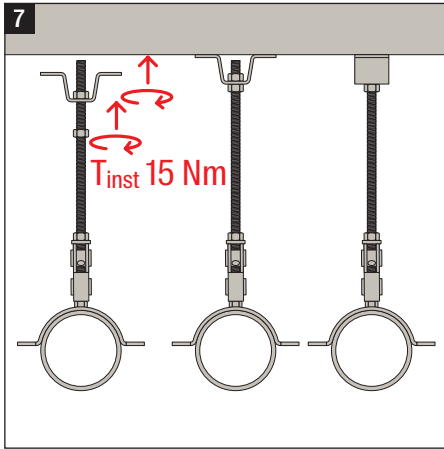
$$X = H - 30$$

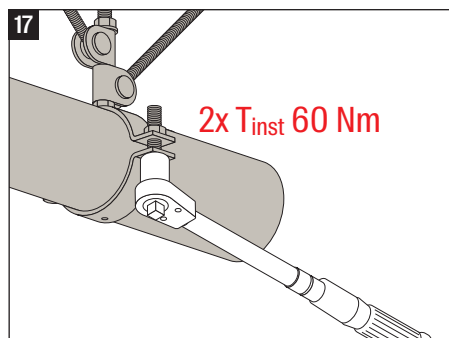
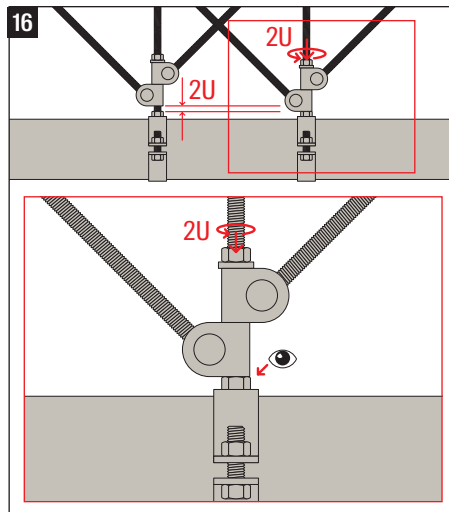
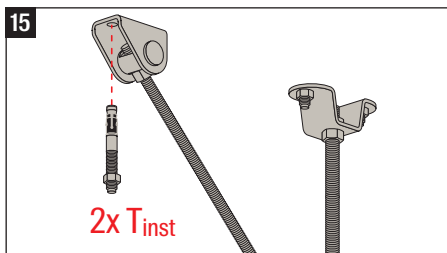
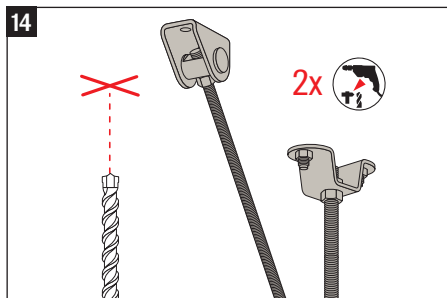
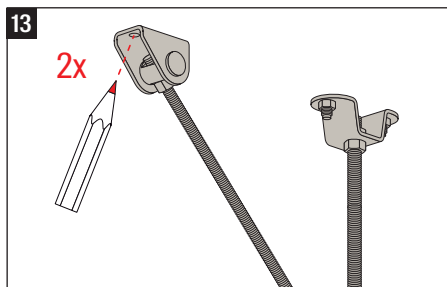
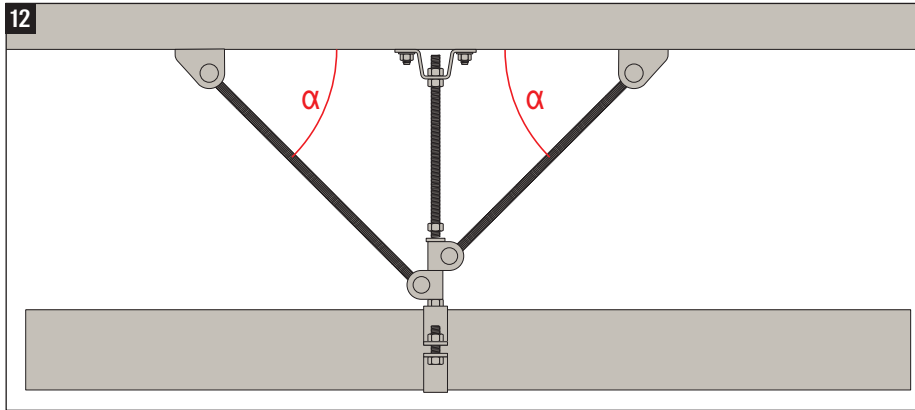
$$Z = H + D/2$$

$$Y_1 = \frac{H - 85}{\sin \alpha} + 34$$

$$Y_2 = \frac{H - 135}{\sin \alpha} + 34$$

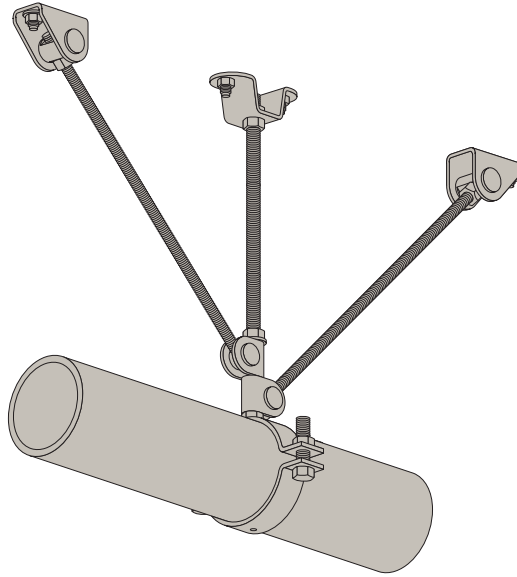




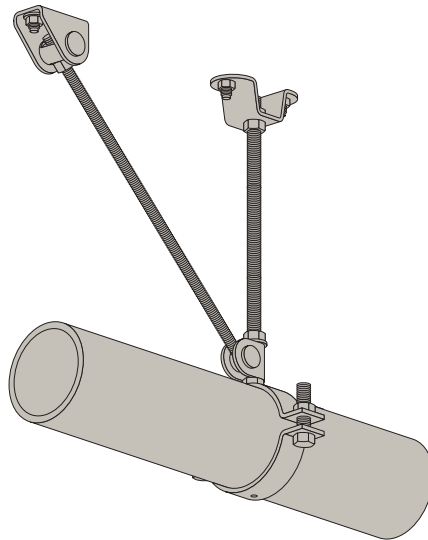




18



19





fischer stands for

Fixing Systems

Automotive

fischertechnik

Consulting

Electronic Solutions

fischerwerke GmbH & Co. KG

Klaus-Fischer-Straße 1
72178 Waldachtal
Germany

P +49 7443 12 - 0
F +49 7443 12 - 8297

info@fischer.de
www.fischer-international.com

00202617 (1) - 09/2023 (W/D) - Printed in Germany
We cannot be responsible for any errors, and we reserve the right to make technical and range modifications without notice.