

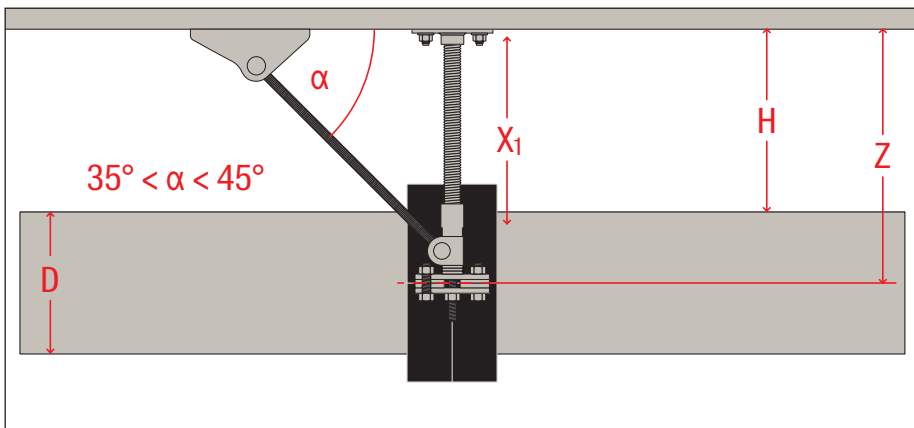
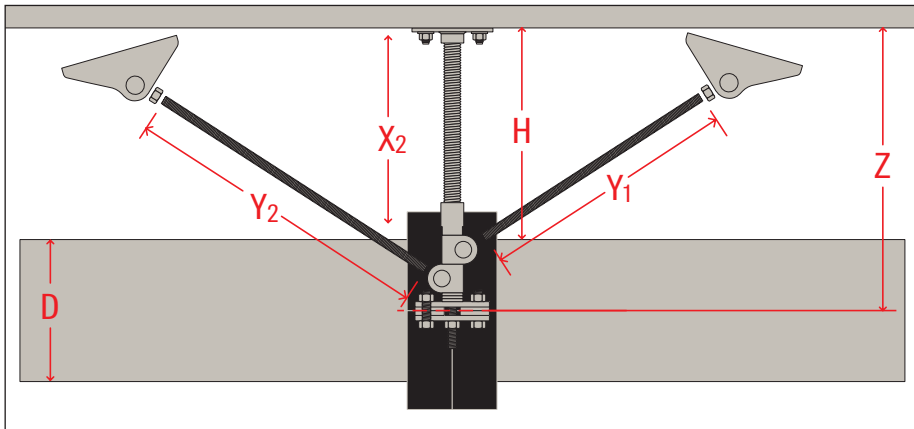
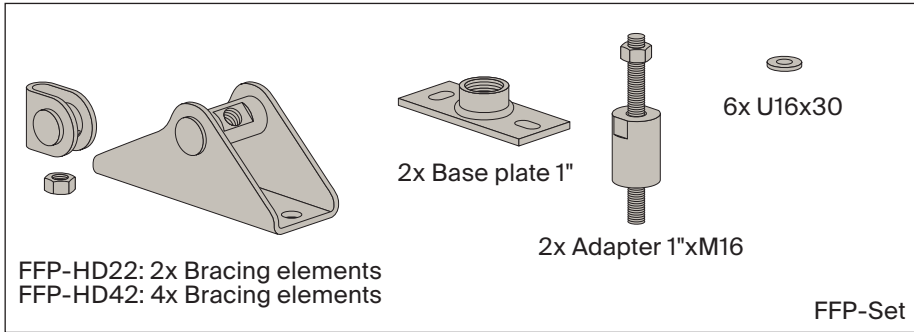
fischer 

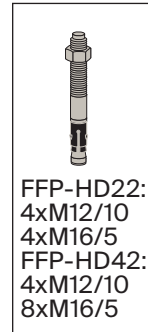
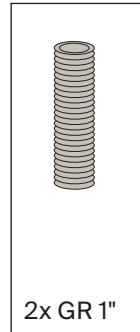
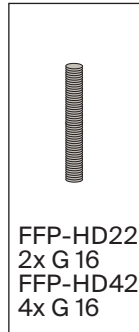
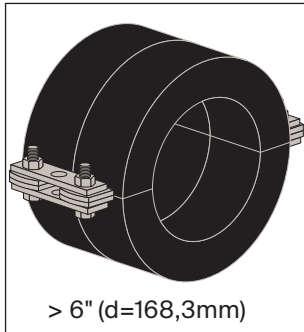
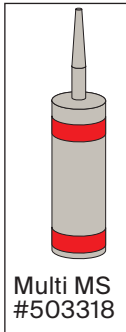
FFP-HD22 #567711
FFP-HD42 #567714

DE Bedienungsanleitung
EN Operating instructions
FR Manuel d'utilisation
NL Gebruiksaanwijzing
IT Manuale d'uso

ES Manual de instrucciones
TR Kullanım Kılavuzu
SV Bruksanvisning
FI Käyttöohje
NO Bruksanvisning

DA Betjeningsvejledning
PL Instrukcja obsługi
SK Používateľská príručka
HU Használati útmutató
CS Návod k obsluze





Z [mm]	X ₁ (mm)	X ₂ [mm]	Y ₁ (45°) [mm]	Y ₂ (45°) [mm]
200	32	82	99	170
300	132	182	240	311
400	232	282	382	452
500	332	382	523	594
600	432	482	664	735
700	532	582	806	877
800	632	682	947	1018
900	732	782	1089	1159
1000	832	882	1230	1301
1100	932	982	1372	1442
1200	1032	1082	1513	1584
1300	1132	1182	1654	1725
1400	1232	1282	1796	1867
1500	1332	1382	1937	2008
1600	1432	1482	2079	2149
1700	1532	1582	2220	2291
1800	1632	1682	2362	2432
1900	1732	1782	2503	2574
2000	1832	1882	2644	2715

$$X_1 = Z - 168,5$$

$$H = Z - D/2$$

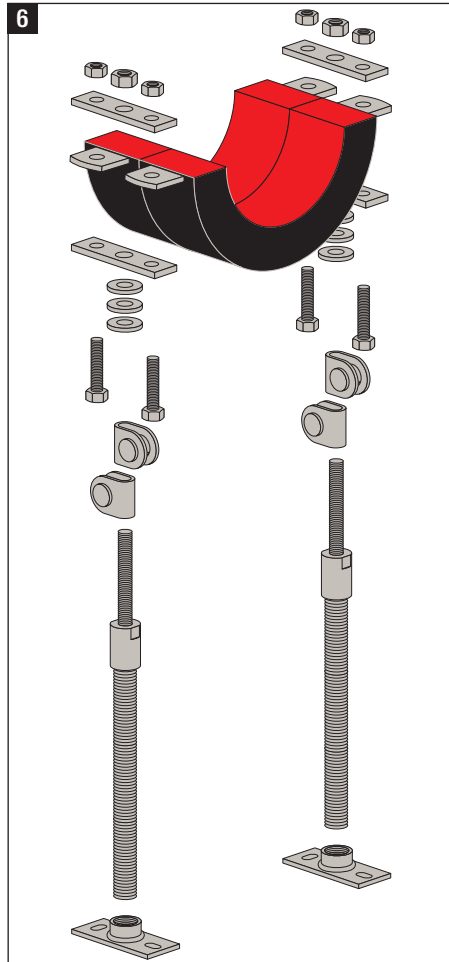
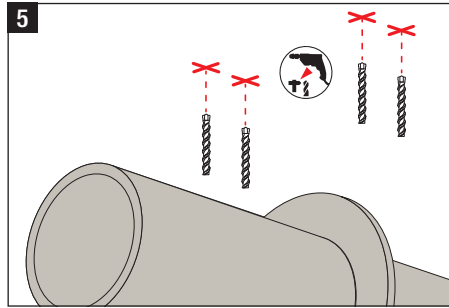
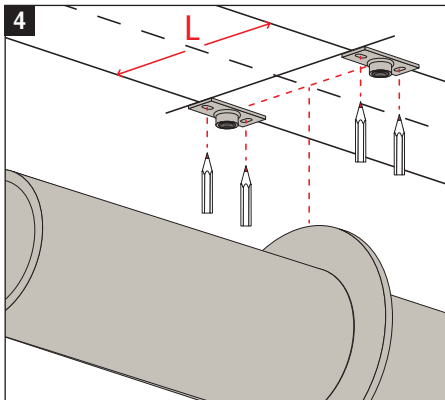
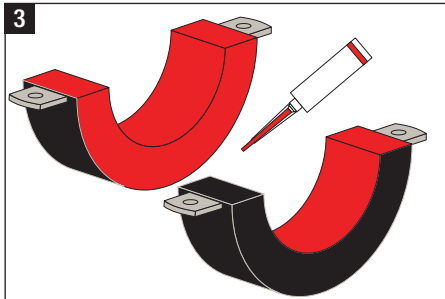
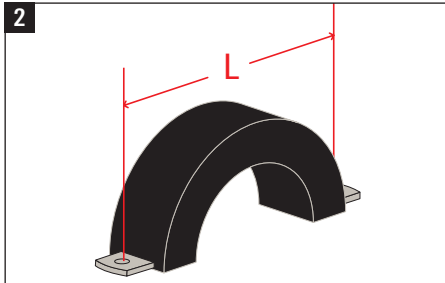
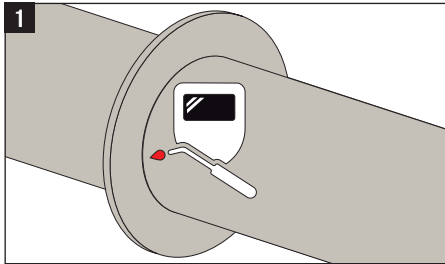
$$X_2 = Z - 118,5$$

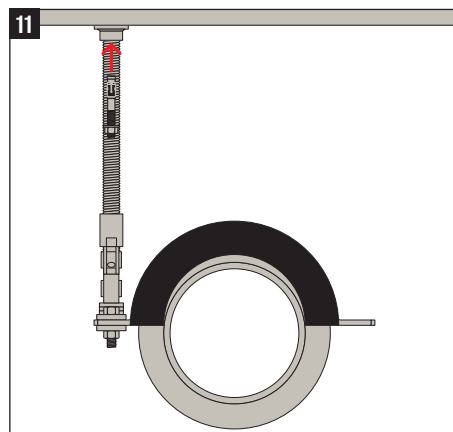
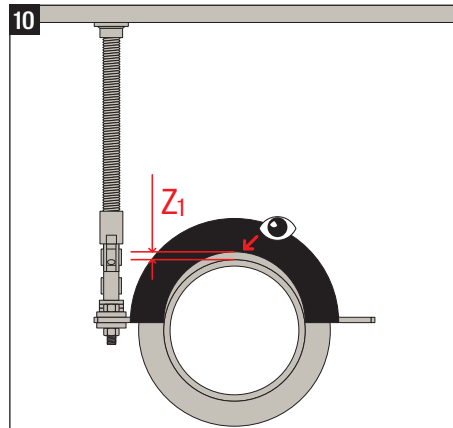
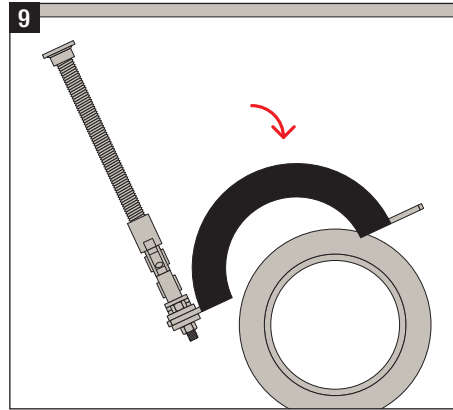
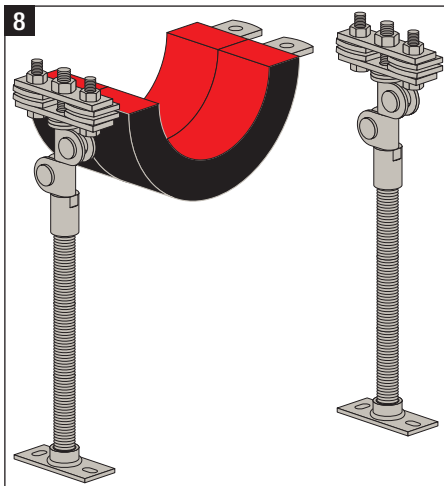
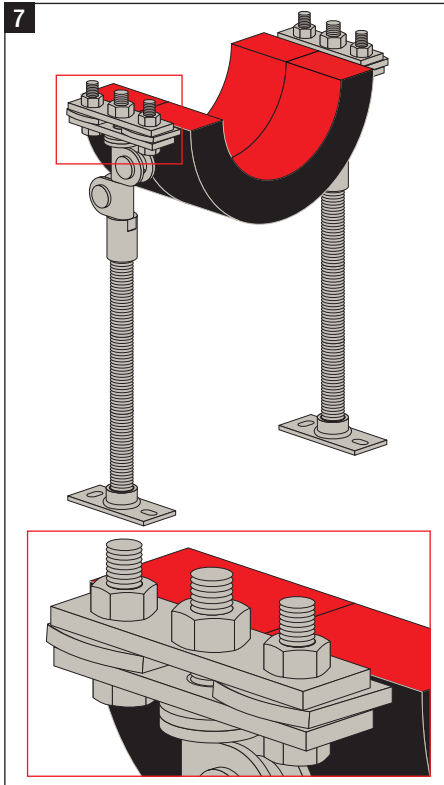
$$H = Z - D/2$$

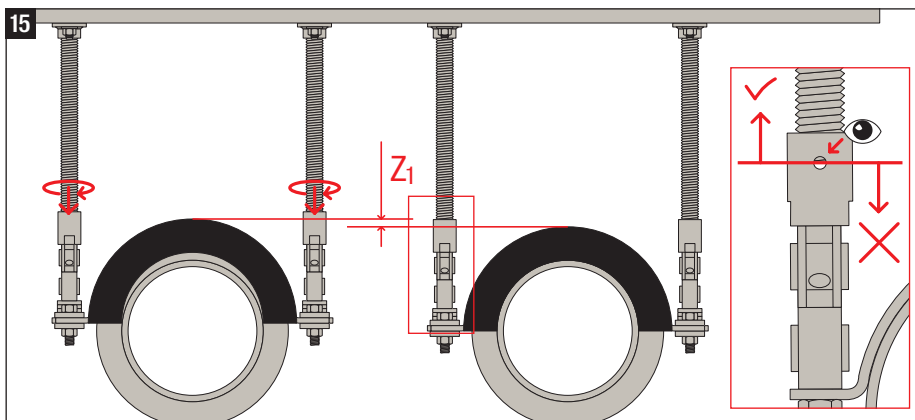
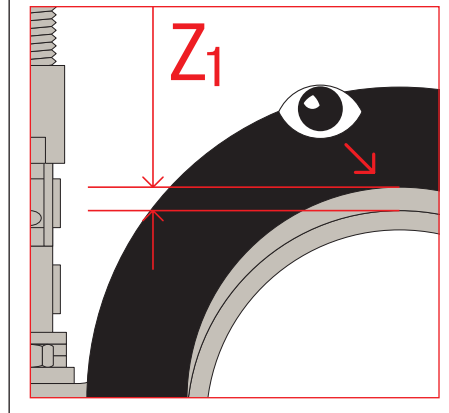
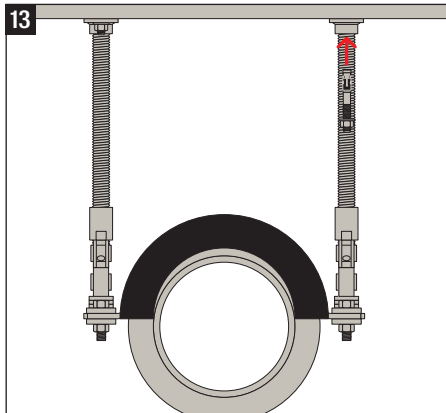
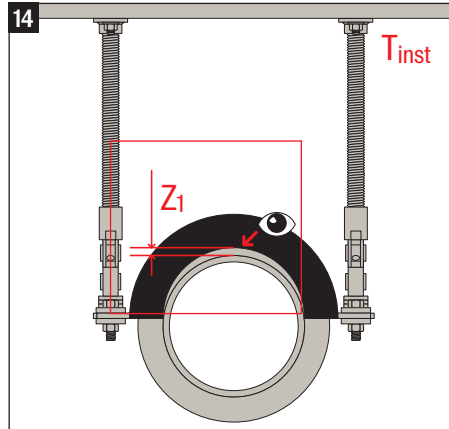
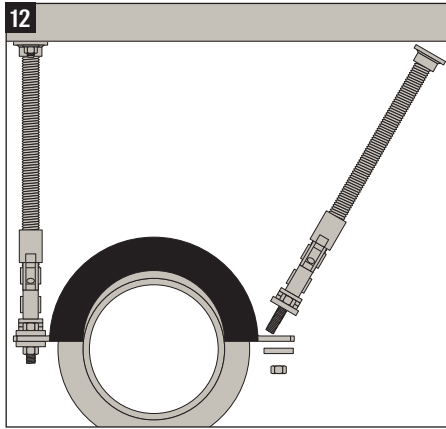
$$Y_1 = \frac{Z - 165}{\sin \alpha} + 50$$

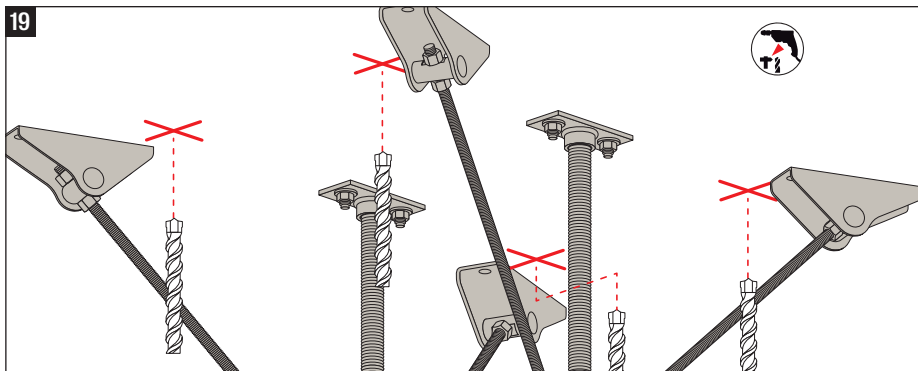
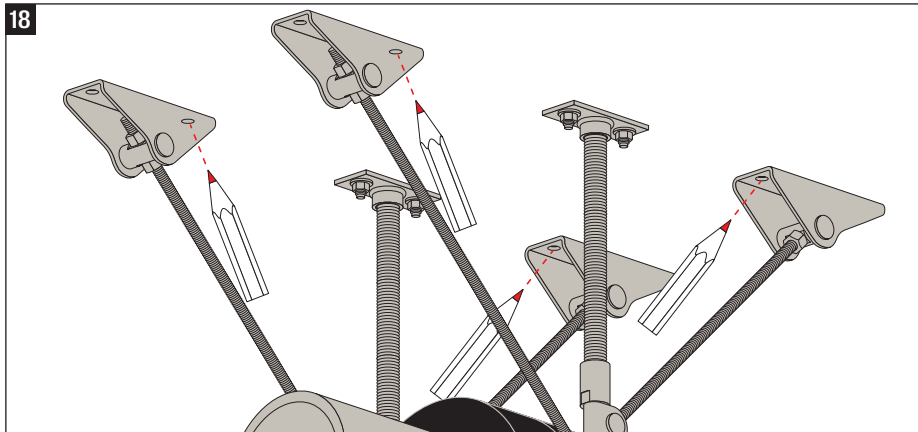
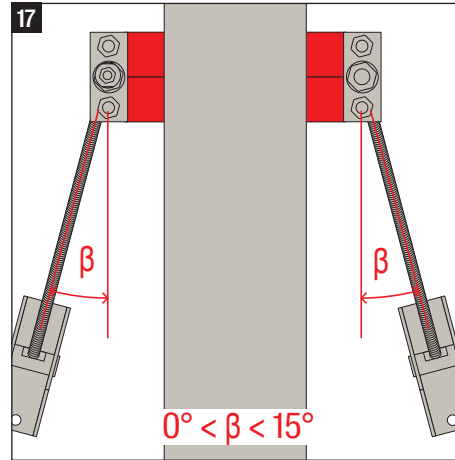
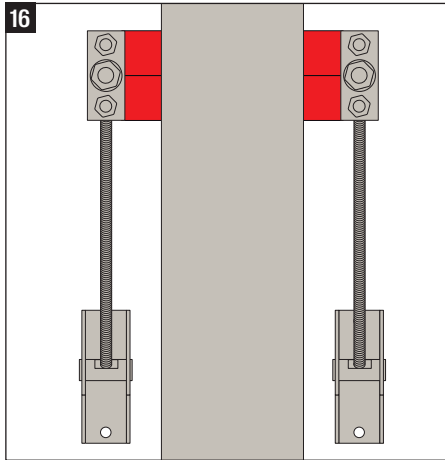
$$Y_2 = \frac{Z - 115}{\sin \alpha} + 50$$

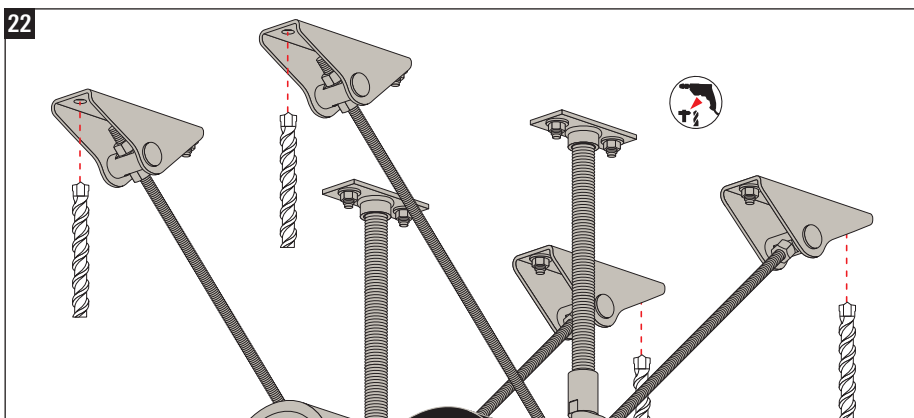
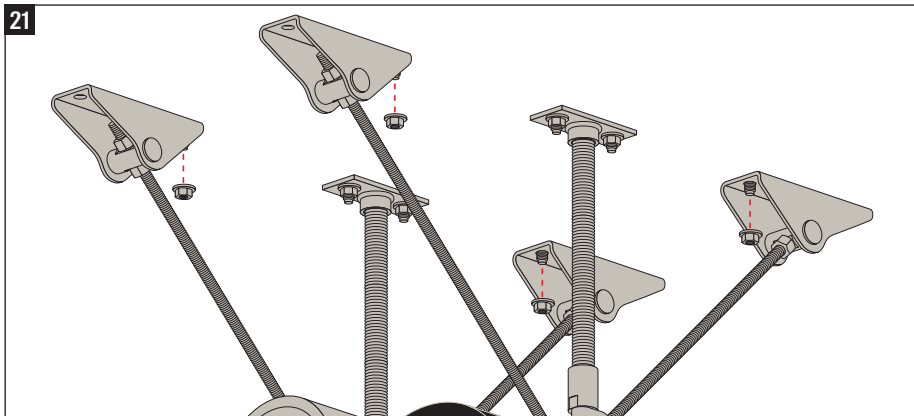
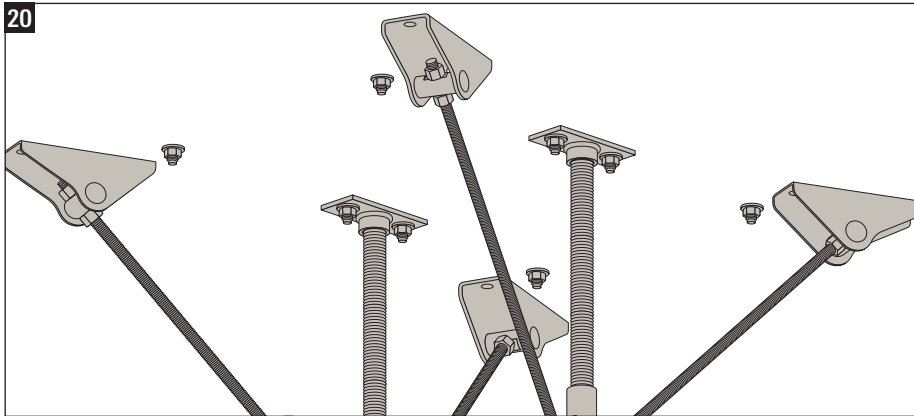






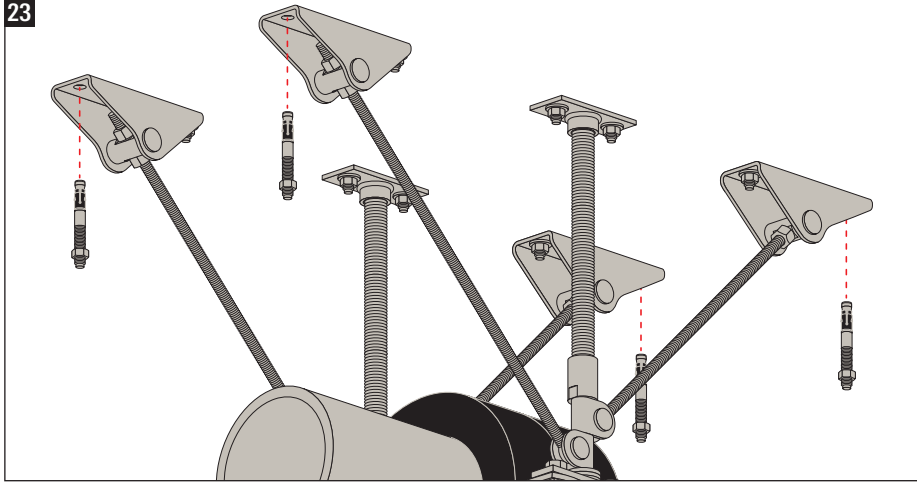




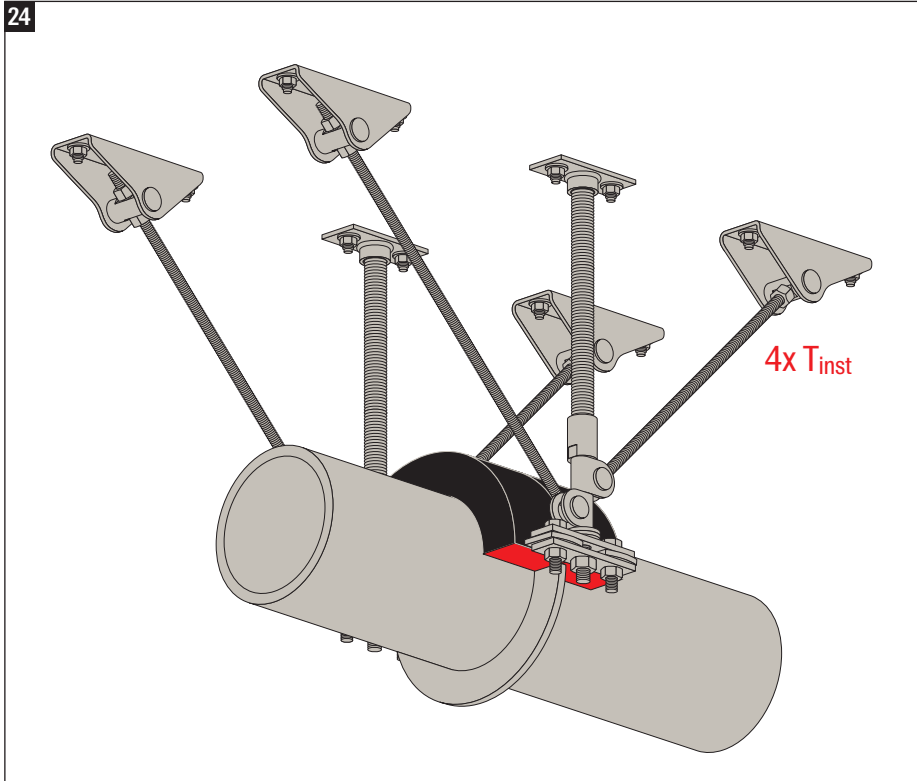


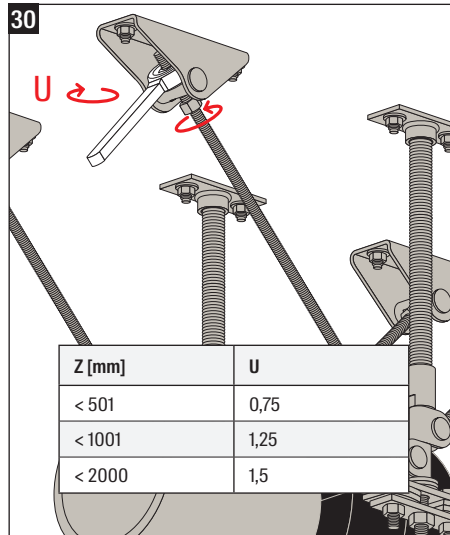
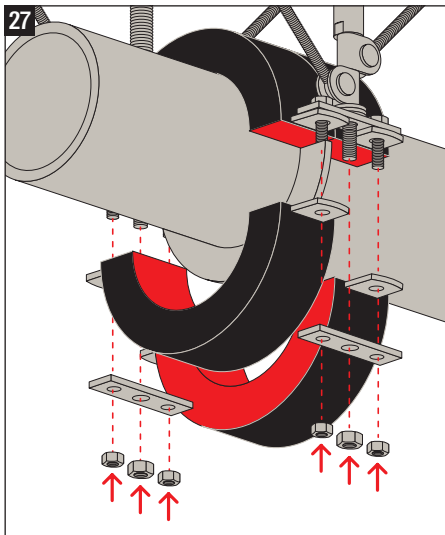
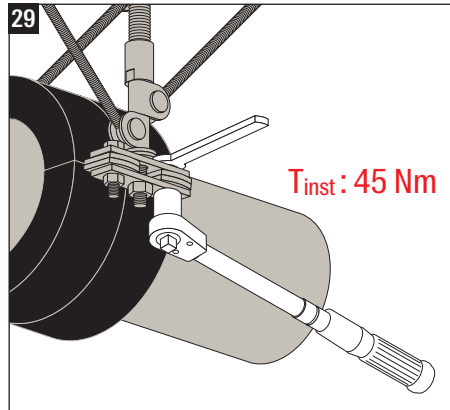
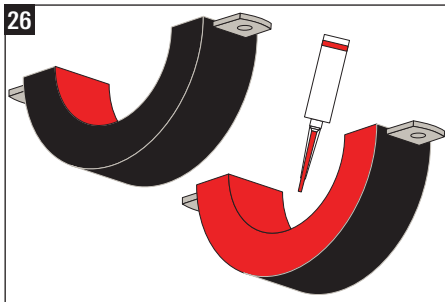
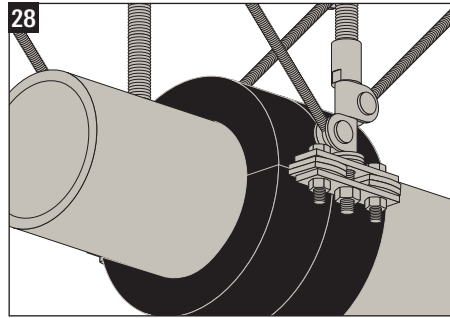
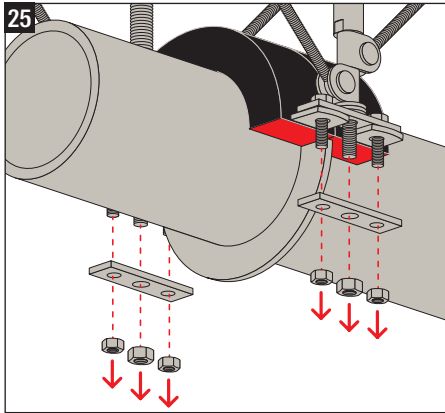


23



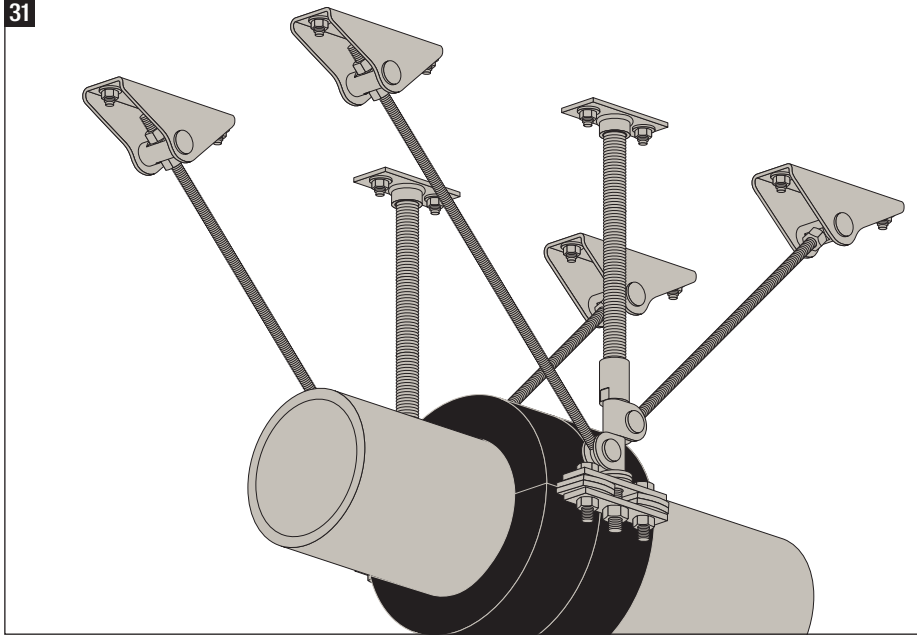
24



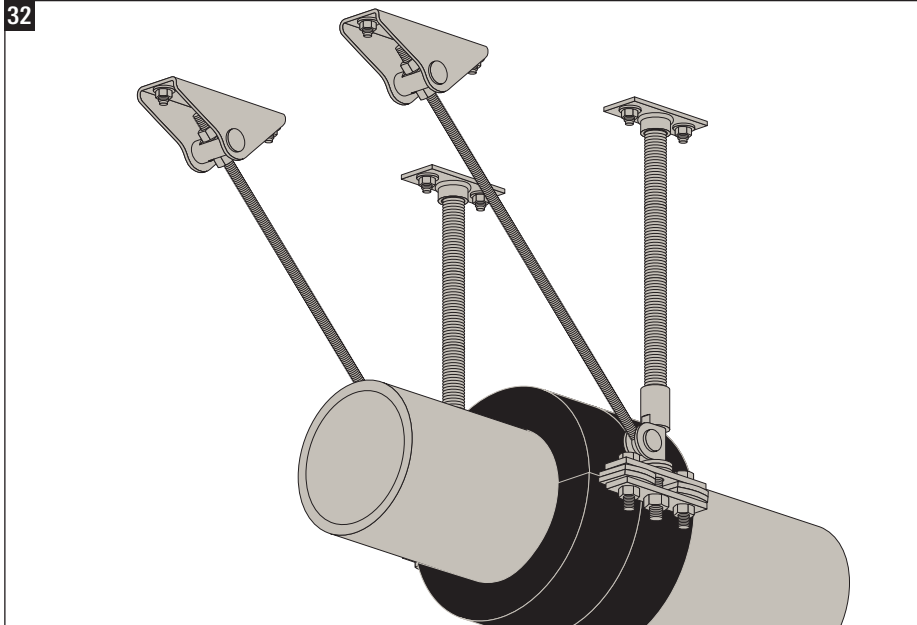




31



32





fischer stands for

Fixing Systems

Automotive

fischertechnik

Consulting

Electronic Solutions

fischerwerke GmbH & Co. KG

Klaus-Fischer-Straße 1
72178 Waldachtal
Germany

P +49 7443 12 - 0
F +49 7443 12 - 8297

info@fischer.de
www.fischer-international.com

00202627 (1) - 09/2023 (WD) - Printed in Germany.
We cannot be responsible for any errors, and we reserve the right to make technical and range modifications without notice.