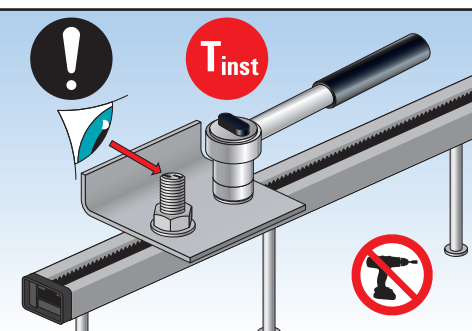
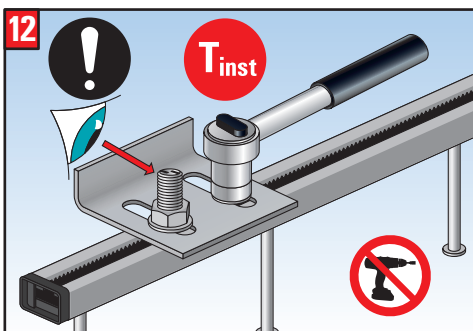
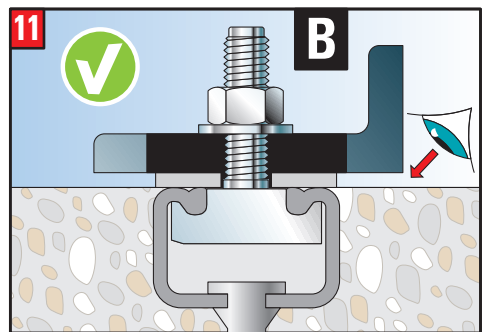
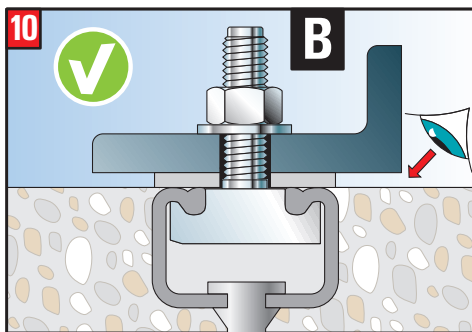
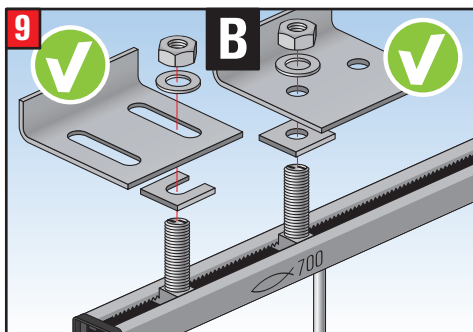
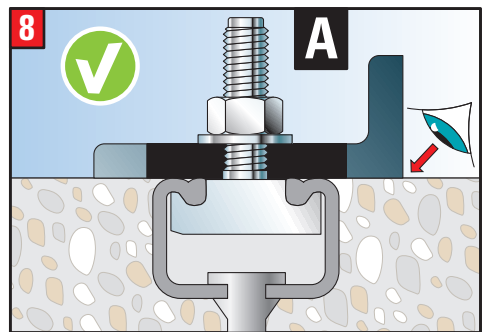
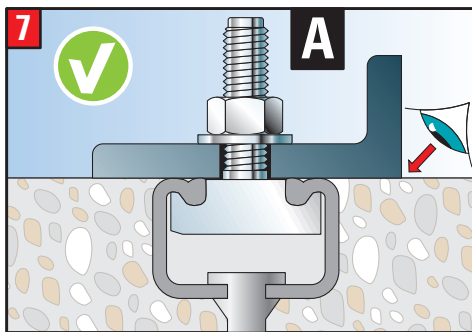
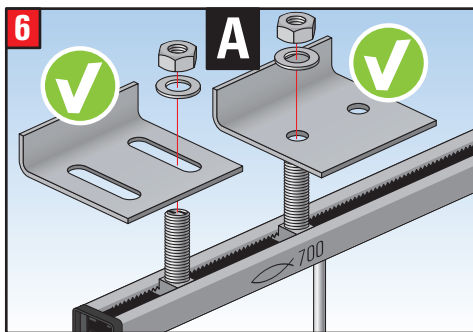
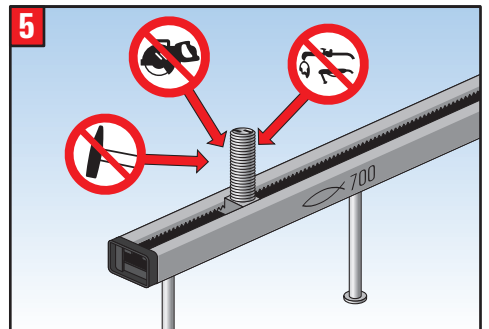
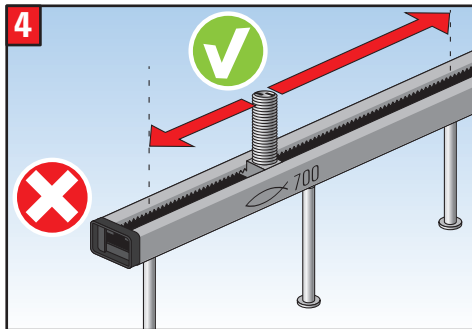
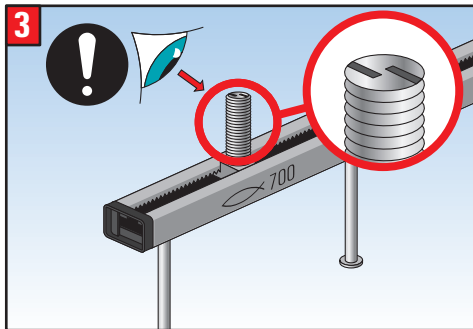
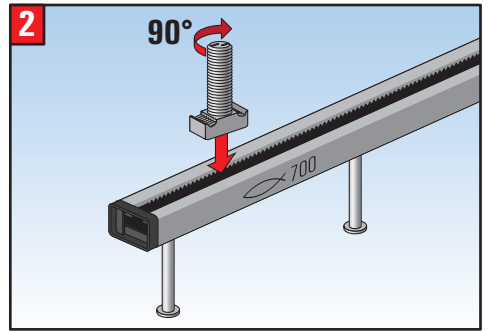


	↓	┌───┐
	FBC-S-	FES-RS-S-
	225	600
	225	700



FBC-S-	FES-RS-S-	T <sub>inst</sub> Nm	M12	M16	M20
225	600	A	80	100	120
		B	100	200	360
225	700	A	80	100	120
		B	100	200	360