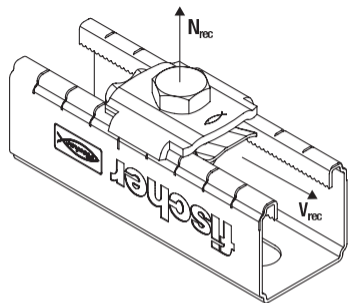


Loads



MW 90° and MWU 90°

Item	Item No.	Max. recommended tension load for FLS 17/1.0 and FLS 30/1.0 N_{rec} [kN]	Max. recommended tension load for FLS 37/1.2 N_{rec} [kN]	Max. recommended shear load V_{rec} [kN]	Tightening torque T_{inst} [Nm]
MW 90°	538668	1.5	2.0	1.0	10
MWU 90°	538667	1.5	2.0	1.0	10