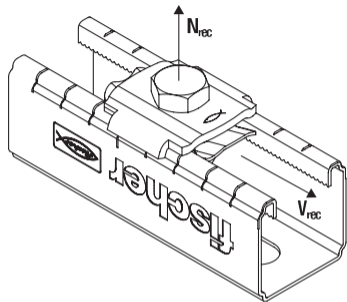


## Loads



Item	Item No.	Max. recommended tension load for FLS 17/1.0 and FLS 30/1.0 $N_{rec}$ [kN]	Max. recommended tension load for FLS 37/1.2 $N_{rec}$ [kN]	Max. recommended shear load $V_{rec}$ [kN]	Tightening torque $T_{inst}$ [Nm]
MW Clix 90°	538666	1.5	2.0	1.0	10