

Technical Datasheet

FES-H-50/30-P anchor channel

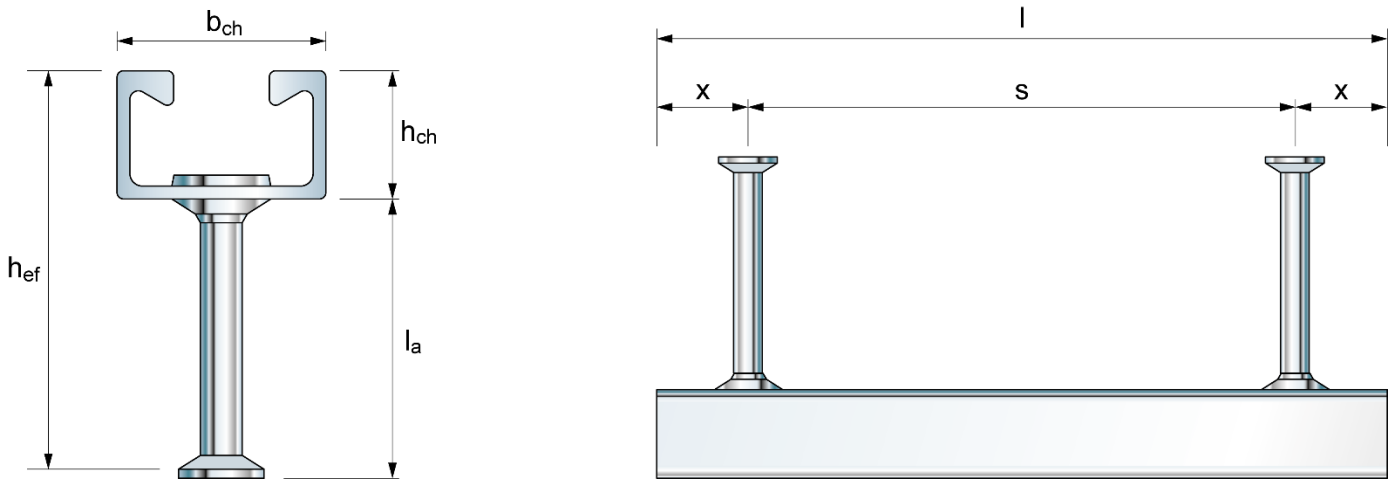


Advantages



- Hot-rolled Cast-in Channels combining excellent load capacity with high safety and flexibility.
- Fundamental load capacity in longitudinal direction in combination with channel bolts FBC-N or two directional load capacity with FBC.
- Suitable for applications in cracked and non-cracked concrete.
- Ideal prepositioned fixing solution, capable of covering on-site tolerances.
- Permanently adjustable fixing solution.

Technical Data



Effective embedment depth	Total embedment depth	Minimum thickness of concrete	Anchor length	Height	Width	Overhang	Anchor spacing
h_{ef}	$h_{nom} (l_a + h_{ch})$	h_{min}	l_a	h_{ch}	b_{ch}	x	s
106 mm	108,5 mm	108 mm	78,5 mm	30 mm	50 mm	≥ 35 mm	100-250 mm

Product Information

Item	Item no.	Length l [mm]	Number of anchors	Anchor spacing s [mm]	Match	Thread M	Sales units [pcs]
FES-H-50/30-P-170-HDG	564571	170	2	100	FBC-50/30; FBC-N-50/30	M10 – M20 for FBC-50/30	1
FES-H-50/30-P-200-HDG	563749	200	2	130	FBC-50/30; FBC-N-50/30		1
FES-H-50/30-P-250-HDG	563750	250	2	180	FBC-50/30; FBC-N-50/30		1
FES-H-50/30-P-300-HDG	563751	300	2	230	FBC-50/30; FBC-N-50/30		1
FES-H-50/30-P-350-HDG	563752	350	3	140	FBC-50/30; FBC-N-50/30		1
FES-H-50/30-P-400-HDG	563753	400	3	165	FBC-50/30; FBC-N-50/30	or	1
FES-H-50/30-P-550-HDG	563754	550	3	240	FBC-50/30; FBC-N-50/30	M16 – M20 for FBC-N-50/30	1
FES-H-50/30-P-800-HDG	563755	800	4	243	FBC-50/30; FBC-N-50/30		1
FES-H-50/30-P-1050-HDG	563756	1050	5	245	FBC-50/30; FBC-N-50/30		1
FES-H-50/30-P-3050-HDG	563757	3050	13	248	FBC-50/30; FBC-N-50/30		1
FES-H-50/30-P-6070-HDG	563758	6070	25	250	FBC-50/30; FBC-N-50/30		1

- all Cast-In Channel FES-H-50/30-P with hot-dip galvanized coating, Anchor Diameter $d_s=11$ mm
 - different lengths and curved Cast-In channels available on request



European Technical Assessment
ETA-18/0862
EAD-330008-03-0601



