

# Technical Datasheet

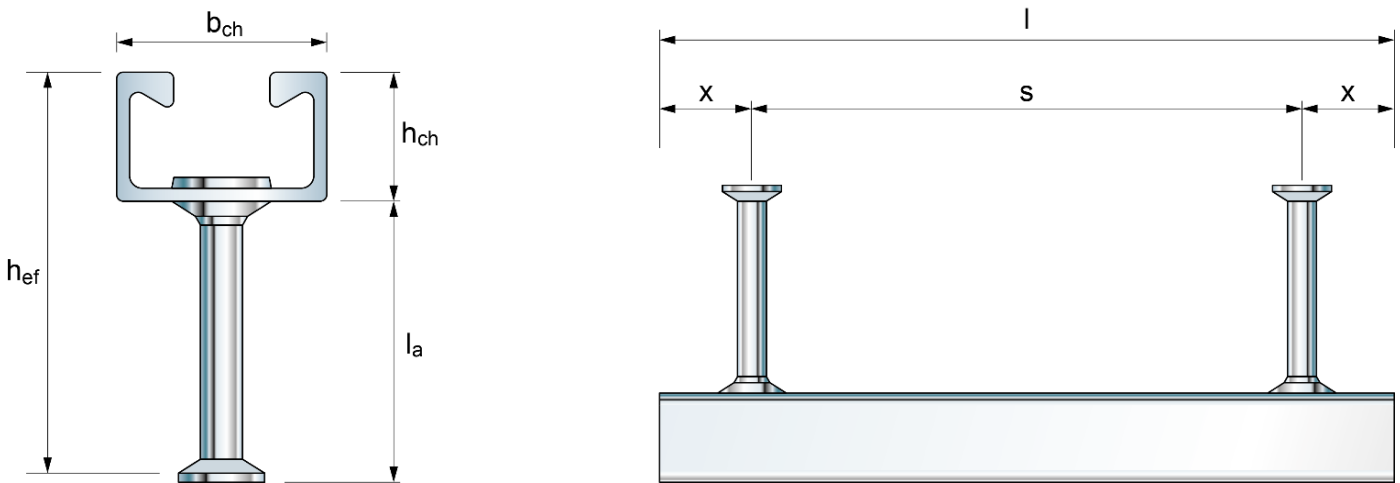
## FES-H-40/22-P anchor channel

### Advantages



- Hot-rolled Cast-in Channels combining excellent load capacity with high safety and flexibility.
- Fundamental load capacity in longitudinal direction in combination with channel bolts FBC-N or two directional load capacity with FBC.
- Suitable for applications in cracked and non-cracked concrete.
- Ideal prepositioned fixing solution, capable of covering on-site tolerances.
- Permanently adjustable fixing solution.

### Technical Data



Effective embedment depth	Total embedment depth	Minimum thickness of concrete	Anchor length	Height	Width	Overhang	Anchor spacing
$h_{ef}$	$h_{nom} (l_a + h_{ch})$	$h_{min}$	$l_a$	$h_{ch}$	$b_{ch}$	$x$	$s$
91 mm	93,2 mm	100 mm	69,7 mm	23,5 mm	40 mm	25-35 mm	100-250 mm

### Product Information

Item	Item no.	Length $l$ [mm]	Number of anchors	Anchor spacing $s$ [mm]	Match	Thread M	Sales units [pcs]
FES-H-40/22-P-150-HDG	563737	150	2	100	FBC-40/22; FBC-N-40/22	M10 – M16 for FBC-40/22  or M16 for FBC-N-40/22	1
FES-H-40/22-P-200-HDG	563738	200	2	150	FBC-40/22; FBC-N-40/22		1
FES-H-40/22-P-250-HDG	563739	250	2	200	FBC-40/22; FBC-N-40/22		1
FES-H-40/22-P-300-HDG	563740	300	2	250	FBC-40/22; FBC-N-40/22		1
FES-H-40/22-P-350-HDG	563741	350	3	150	FBC-40/22; FBC-N-40/22		1
FES-H-40/22-P-400-HDG	563742	400	3	175	FBC-40/22; FBC-N-40/22		1
FES-H-40/22-P-550-HDG	563743	550	3	250	FBC-40/22; FBC-N-40/22		1
FES-H-40/22-P-800-HDG	563744	800	4	250	FBC-40/22; FBC-N-40/22		1
FES-H-40/22-P-1050-HDG	563745	1050	5	250	FBC-40/22; FBC-N-40/22		1
FES-H-40/22-P-3050-HDG	563746	3050	13	250	FBC-40/22; FBC-N-40/22		1
FES-H-40/22-P-6070-HDG	563747	6070	25	250	FBC-40/22; FBC-N-40/22	1	

- all Cast-In Channel FES-H-40/22-P with hot-dip galvanized coating, Anchor Diameter  $d_s=10$  mm  
 - different lengths and curved Cast-In channels available on request



European Technical Assessment  
 ETA-18/0862  
 EAD-330008-03-0601



FIXperience  
 Software



Fire resistance



Static 2D loading



Static 3D loading  
 notched



Website