

Technical Datasheet

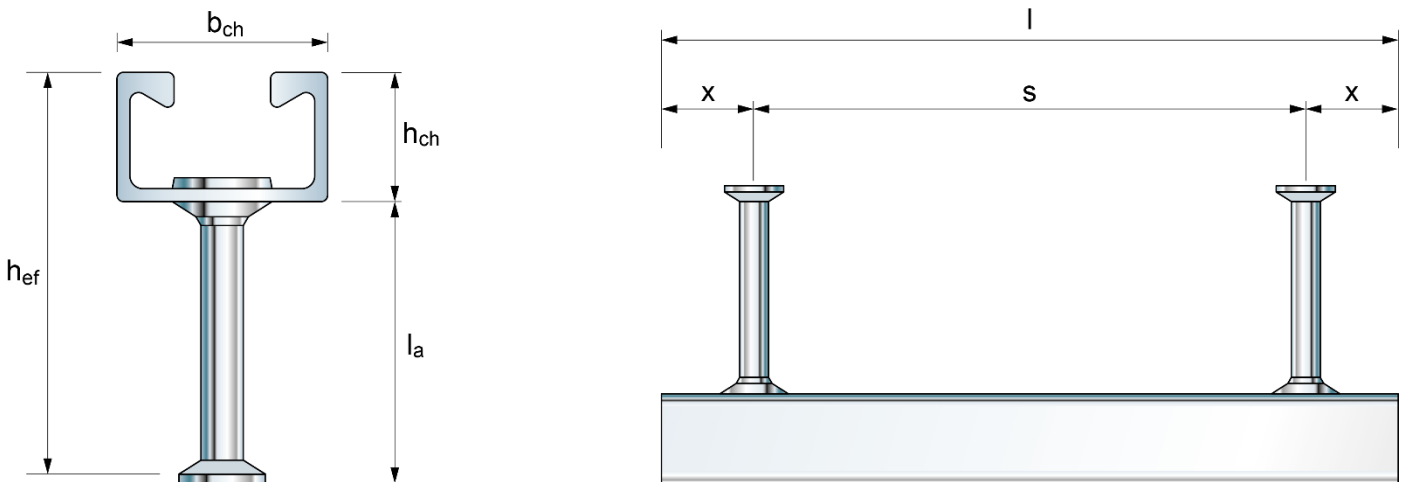
FES-C-54/33 anchor channel

Advantages



- Economical cold-formed Cast-in Channels combining high loading capacity and safety.
- Two directional load capacity: tension and shear perpendicular to the channel axis.
- Ideal prepositioned fixing solution, capable of covering on-site tolerances.
- Suitable for applications in cracked and non-cracked concrete.
- Permanently adjustable fixing solution.

Technical Data



Effective embedment depth	Total embedment depth	Minimum thickness of concrete	Anchor length	Height	Width	Overhang	Anchor spacing
h_{ef}	$h_{nom} (l_a + h_{ch})$	h_{min}	l_a	h_{ch}	b_{ch}	x	s
155 mm	157,5 mm	160 mm	124,5 mm	33 mm	54 mm	25-35 mm	100-250 mm

Product Information

Item	Item no.	Length l [mm]	Number of anchors	Anchor spacing s [mm]	Match	Thread M	Sales units [pcs]
FES-C-54/33-150-HDG	552589	150	2	100	FBC-50/30	M10-M20	1
FES-C-54/33-200-HDG	552590	200	2	150	FBC-50/30	M10-M20	1
FES-C-54/33-250-HDG	552591	250	2	200	FBC-50/30	M10-M20	1
FES-C-54/33-300-HDG	552592	300	2	250	FBC-50/30	M10-M20	1
FES-C-54/33-350-HDG	552593	350	3	150	FBC-50/30	M10-M20	1
FES-C-54/33-400-HDG	552594	400	3	175	FBC-50/30	M10-M20	1
FES-C-54/33-550-HDG	552595	550	3	250	FBC-50/30	M10-M20	1
FES-C-54/33-800-HDG	552596	800	4	250	FBC-50/30	M10-M20	1
FES-C-54/33-1050-HDG	552597	1050	5	250	FBC-50/30	M10-M20	1
FES-C-54/33-3050-HDG	552598	3050	13	250	FBC-50/30	M10-M20	1
FES-C-54/33-6070-HDG	552599	6070	25	250	FBC-50/30	M10-M20	1

- all Cast-In Channel FES-C-54/33 with hot-dip galvanized coating, Anchor Diameter $d_a=11$ mm
 - different lengths and curved Cast-In channels available on request



European Technical Assessment
 ETA-18/0862
 EAD-330008-03-0601



CHANNEL-FIX
 FIXperience Software



Fire resistance



Static 2D loading



Website