

Technical Datasheet

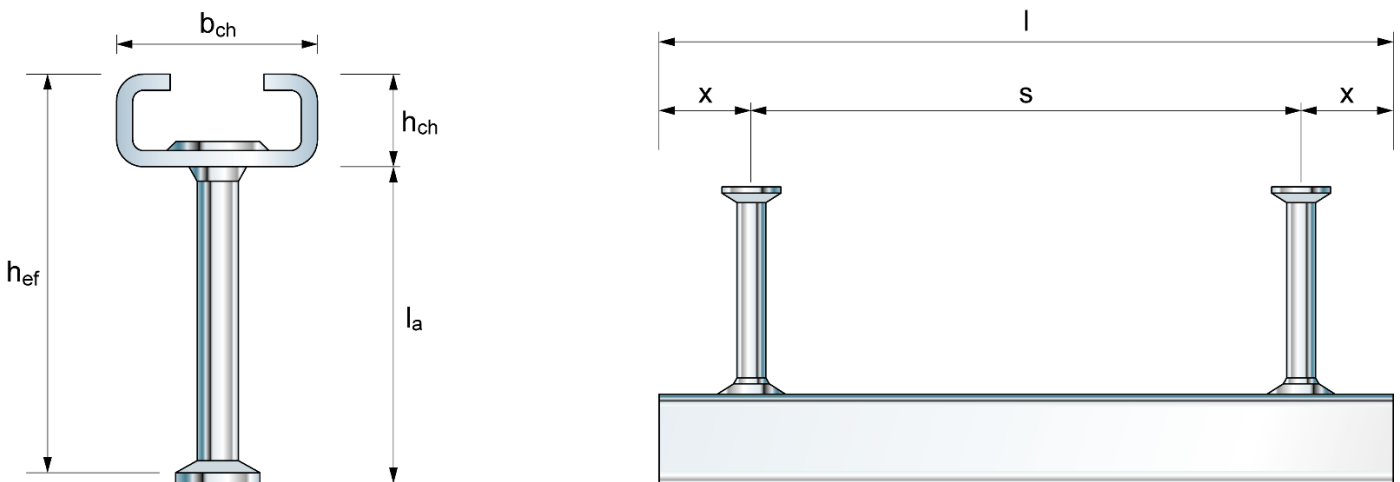
FES-C-28/15 anchor channel

Advantages



- Economical cold-formed Cast-in Channels combining high loading capacity and safety.
- Two directional load capacity: tension and shear perpendicular to the channel axis.
- Ideal prepositioned fixing solution, capable of covering on-site tolerances.
- Suitable for applications in cracked and non-cracked concrete.
- Permanently adjustable fixing solution.

Technical Data



Effective embedment depth	Total embedment depth	Minimum thickness of concrete	Anchor length	Height	Width	Overhang	Anchor spacing
h_{ef}	$h_{nom} (l_a + h_{ch})$	h_{min}	l_a	h_{ch}	b_{ch}	x	s
45 mm	46,5 mm	70 mm	31,0 mm	15,5 mm	28 mm	25-35 mm	100-200 mm

Product Information

Item	Item no.	Length l [mm]	Number of anchors	Anchor spacing s [mm]	Match	Thread M	Sales units [pcs]
FES-C-28/15-100-HDG	552543	100	2	50	FBC-28/15	M8-M12	1
FES-C-28/15-150-HDG	552544	150	2	100	FBC-28/15	M8-M12	1
FES-C-28/15-200-HDG	552545	200	2	150	FBC-28/15	M8-M12	1
FES-C-28/15-250-HDG	552546	250	2	200	FBC-28/15	M8-M12	1
FES-C-28/15-300-HDG	552547	300	3	125	FBC-28/15	M8-M12	1
FES-C-28/15-350-HDG	552548	350	3	150	FBC-28/15	M8-M12	1
FES-C-28/15-450-HDG	552549	450	3	200	FBC-28/15	M8-M12	1
FES-C-28/15-500-HDG	552550	550	4	150	FBC-28/15	M8-M12	1
FES-C-28/15-850-HDG	552551	850	5	200	FBC-28/15	M8-M12	1
FES-C-28/15-1050-HDG	552552	1050	6	200	FBC-28/15	M8-M12	1
FES-C-28/15-3050-HDG	552553	3050	16	200	FBC-28/15	M8-M12	1
FES-C-28/15-6070-HDG	552554	6070	31	200	FBC-28/15	M8-M12	1

- all Cast-In Channel FES-C-28/15 with hot-dip galvanized coating, Anchor Diameter $d_s=6$ mm
 - different lengths and curved Cast-In channels available on request



European Technical Assessment
ETA-18/0862
EAD-330008-03-0601



CHANNEL-FIX
FIXperience Software



Fire resistance



Static 2D loading



Website