

PRESTANDEKLARATION

DoP 0359

för fischers ZYKON-ankare FZP II T

SV

- Produkttypens unika identifikationskod: DoP 0359
- Avsedd användning/avsedda användningar: Infästning för keramiskt fasadmateriäl tillverkat av i enlighet med EN 14411:2016, se bilaga, särskilt bilagor B1 - B6.
- Tillverkare: fischerwerke GmbH & Co. KG, Klaus-Fischer-Str. 1, 72178 Waldachtal, Tyskland
- Tillverkarens representant: -
- System för bedömning och fortlöpande kontroll av prestanda: 2+
- Europeiskt bedömningsdokument: EAD 330030-00-0601, Edition 10/2018
Europeisk teknisk bedömning: ETA-23/0756; 2023-12-08
Tekniskt bedömningsorgan: DIBt- Deutsches Institut für Bautechnik
Anmält/anmälda organ: 2873 TU Darmstadt
- Angiven prestanda:
Mekanisk hållfasthet och stabilitet (BWR 1)
Karakteristiskt motstånd mot utdrag under draglast: Bilaga C1
Karakteristiskt motstånd mot utdrag under tvärlast: Bilaga C1
Karakteristiskt motstånd mot utdrag under kombinerad drag- och tvärlast: Bilaga C1

Kant- och inbördes avstånd: Bilaga C1
Hållbarhet: Bilagor A3, B2
Karakteristiskt motstånd mot skador i stålet under drag- och tvärlast : Bilaga C1

Säkerhet vid brand (BWR 2)
Reaktion vid brand: Klass (A1)
- Lämplig teknisk dokumentation och/eller särskild teknisk dokumentation: -

Y=NPD; F_{Rk}=NPD

Prestandan för ovanstående produkt överensstämmer med den angivna prestandan. Denna prestandadeklaration har utfärdats i enlighet med förordning (EU) nr 305/2011 på eget ansvar av den tillverkare som anges ovan.

Undertecknad på tillverkarens vägnar av:



Dr.-Ing. Oliver Geibig, Verkställande direktör affärsenheter och teknik
Tumlingen, 2024-04-12



Jürgen Grün, Verkställande direktör kemi och kvalitet

Denna DoP har förberetts på olika språk. I händelse av tvist om tolkningen ska den engelska versionen alltid råda.

Bilagan innehåller frivilliga och kompletterande information på engelska som överskrider (det specifika språkets) lagkrav.

Specific Part

1 Technical description of the product

The fischer-Zykon-panel anchor FZP II T is a special anchor of size M 6 which consists of a cone bolt with external thread, made of stainless steel, an expansion part made of stainless steel, a shim washer made of polyamide and, if need to be, a hexagon nut made of stainless steel or aluminium. The anchor is put into an undercut drill hole in the façade panels and is placed form-fit by driving-in the shim washer or by applying a torque moment to the hexagon nut.

The product description is given in Annex A. The material values, dimensions and tolerances of the components of the fastener not indicated in the annexes shall correspond to the values laid down in the technical documentation.

2 Specification of the intended use in accordance with the applicable European Assessment Document

The performances given in Section 3 are only valid if the anchor is used in compliance with the specifications and conditions given in Annex B.

The verifications and assessment methods on which this European Technical Assessment is based lead to the assumption of a working life of the anchors of at least 50 years. The indications given on the working life cannot be interpreted as a guarantee given by the producer, but are to be regarded only as a means for choosing the right products in relation to the expected economically reasonable working life of the works.

3 Performance of the product and references to the methods used for its assessment

3.1 Mechanical resistance and stability (BWR 1)

Essential characteristic	Performance
Characteristic resistance to breakout or pull-out failure under tension load	See Annex C 1
Characteristic resistance to breakout or pull-out failure under shear load	See Annex C 1
Characteristic resistance to breakout or pull-out failure under combined tension and shear load	See Annex C 1
Edge distance and spacing	See Annex C 1
Durability	Corrosion Resistance Class (CRC) III in accordance with EN 1993-1-4:2015
Characteristic resistance to steel failure under tension and shear loads	See Annex C 1

3.2 Safety in case of fire (BWR 2)

Essential characteristic	Performance
Reaction to fire	Class A1

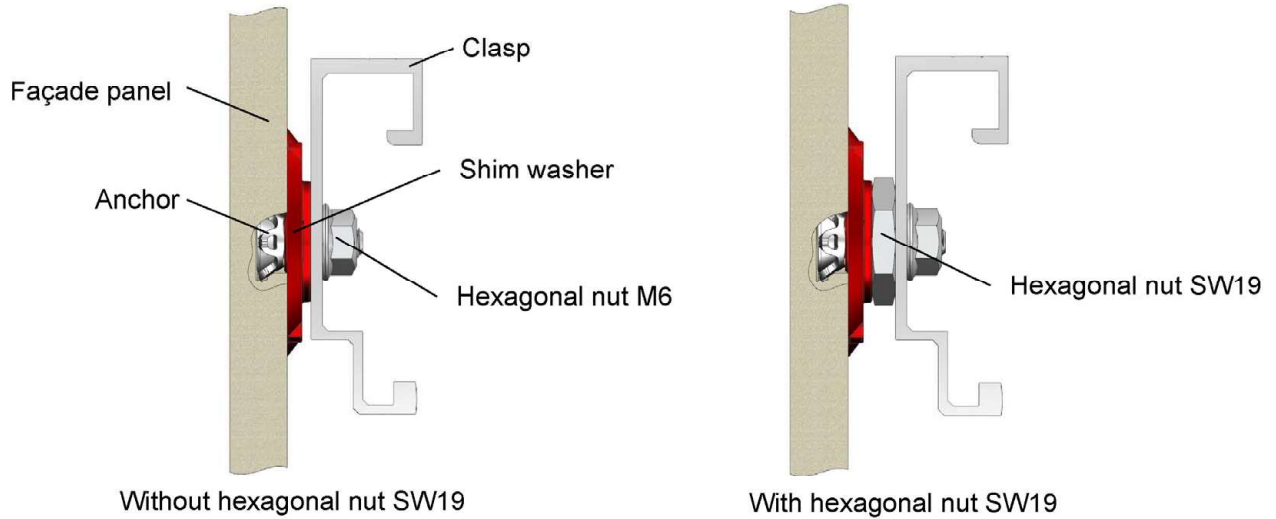
4 Assessment and verification of constancy of performance (AVCP) system applied, with reference to its legal base

In accordance with EAD No. 330030-00-0601 the applicable European legal act is: [97/161/EG].

The system to be applied is: 2+

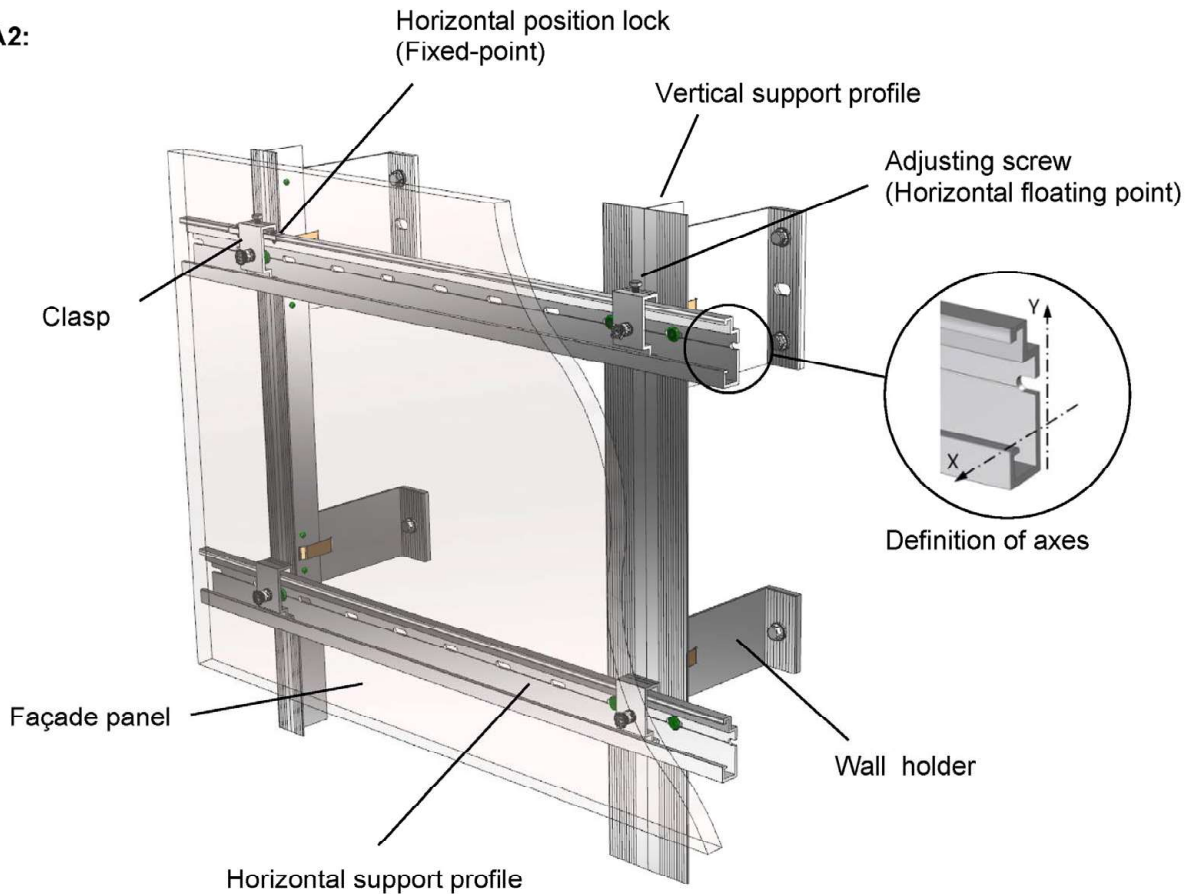
Installed fastener

Figure A1:



Example of façade panel on substructure

Figure A2:



fischer Zykon panel anchor FZP II T D40 for ceramic tiles according to EN 14411

Product description

Installed anchoring and fixing example

Annex A 1

Appendix 3 / 18

Type of anchor

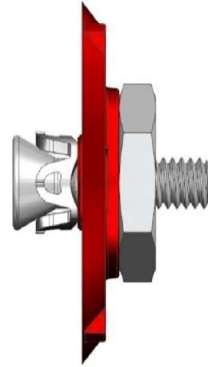
Anchor with external thread M6

Figure A3:

Without hexagonal nut

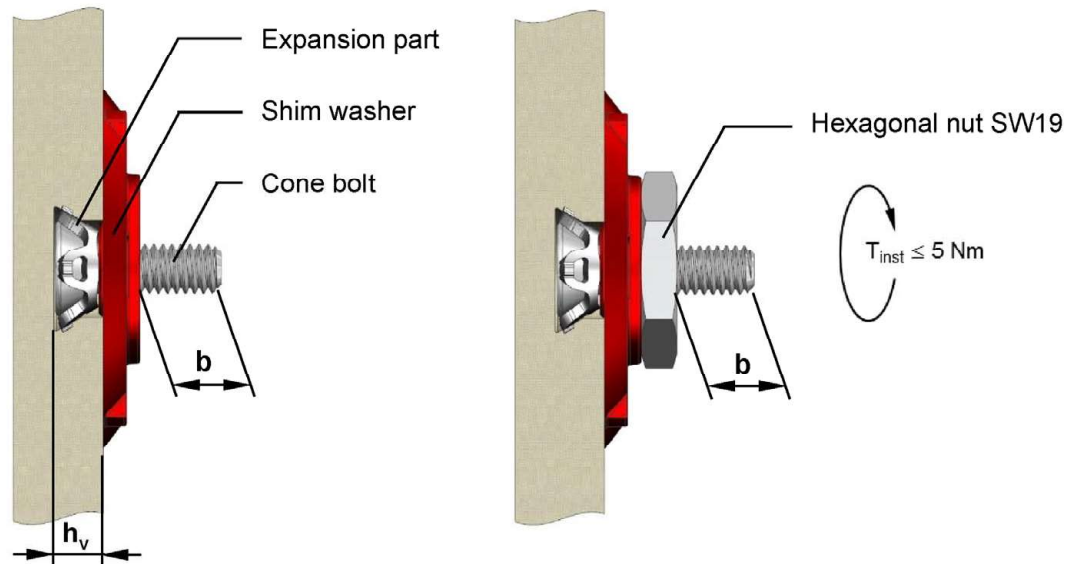
With hexagonal nut

Undercut anchor
FZP II - T



Type of mounting

Figure A4:



Designation system

FZP II 11 x 6 M6 / T / 10 D40 PA

Shim washer made of polyamide (Al = Aluminum hexagonal nut)

Free thread length b after mounting

Thin materials

Thread diameter

Drill hole depth h_v ($h_v = h_1 = h_s =$ Embedment depth)

\varnothing cylindrical diameter d_0

Fischer Zykon (Cylindrical conical) Panel anchor II

fischer Zykon panel anchor FZP II T D40 for ceramic tiles according to EN 14411

Product description

Type of anchor, built-in state and designation system

Annex A 2

Appendix 4 / 18

Anchor parts and materials

Cone bolt external thread M6 (Optional with UNC thread)

Figure A5:



Expansion part

For cone bolts with external thread M6

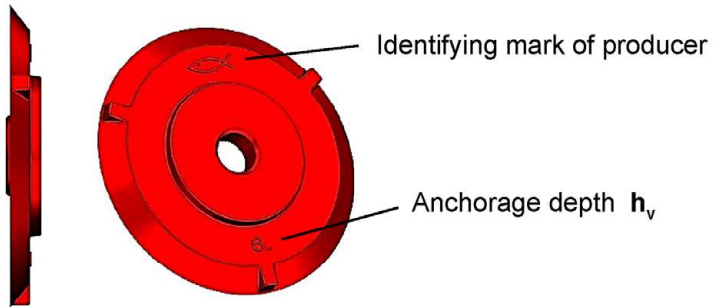
Figure A6:



Shim washer

For cone bolts with external thread M6

Figure A7:



Hexagonal nut

For cone bolts with external thread M6

Figure A8:



Table A1: Materials of anchor parts

Anchor parts	Material
Cone bolt	Stainless steel, EN 10088:2014
Expansion part	Stainless steel, EN 10088:2014
Shim washer	Polyamide 6.6
Hexagonal nut	Aluminium, EN 755:2016 Stainless steel, EN 10088:2014

fischer Zykon panel anchor FZP II T D40 for ceramic tiles according to EN 14411

Product description
Anchor parts and materials

Annex A 3

Appendix 5 / 18

Specifications of intended use

Anchorage subject to:

- Static and quasi-static loads.

Base materials:

- The stoneware façade panels shall correspond to the group BI_a according to EN 14411:2016
- The characteristic values of the façade panels correspond Table B1

Table B1: Characteristic values of the façade panels

Strength class of façade panels			A	B	C
Bending strength ("visible face" on top)	$\sigma_{t5\%} \geq$	[N/mm ²]	35	40	45
Modulus of elasticity	E =	[N/mm ²]	30000		
Poisson's ratio	$\nu =$	[-]	0,2		
Specific weight	$\gamma =$	[kN/m ³]	25,0		
Panel thickness	h \geq	[mm]	10		

fischer Zykon panel anchor FZP II T D40 for ceramic tiles according to EN 14411

Intended use
Specifications

Annex B 1

Appendix 6 / 18

Use conditions (Environmental conditions):

- In accordance with EN 1993-1-4:2015 corresponding to corrosion resistance class CRC III

Design:

Generals:

- Each façade panel is fixed with at least four anchors in a rectangular arrangement via single clasps on the substructure. For panels smaller than 0,3 m² the number of anchors might be reduced to 3, due to the low level of loading. For small fitted pieces, differential or fill- in pieces the number and position of the anchors shall be chosen constructively.
- Edge distances and spacings shall be observed. For small fitted pieces, differential and fill-in pieces the edge distance and spacing shall be chosen constructively.
- The substructure is constructed so that the façade panels are fixed according to Annex D 5 technically strain-free via skids (loose bearings) and one fixed point (fixed bearing) - the fixed point may be placed at the panel edge or in the panel field - and that there are no additional loads acting on the panels and their fixings due to excentric load application / load transfer (symmetrical bearing of the panels).
- If constraining forces are present, they must be taken into account for the design.
- Two fixing points of the façade panel are designed so that they are able to carry the dead load of the façade panel.
- When using clasps on horizontal load-bearing profiles the fixing points situated horizontally at the same height of a façade panel are fastened in each case to the same load-bearing profile.
- Verifiable calculation notes and drawings shall be prepared taking account of the loads to be anchored, the nature and strength of the base materials and the dimensions of the anchorage members as well as of the relevant tolerances. The positions of the anchors are indicated on the design drawings.
- The calculation shall be carried out in a linear elastic manner. The stiffness of the substructure shall be considered for the respective case of application.
- For hanging panels (overhead installation) or reveals respectively the load direction shall be taken into consideration and the combinations of actions shall be based on EN 1990:2002+A1:2005+A1:2005/AC:2010.
- The permissible clasp torsion under service load is 2°.

Further design principles can be found in the informative part of Annex D 1 to D 6.

fischer Zykon panel anchor FZP II T D40 for ceramic tiles according to EN 14411

Intended use
Specifications

Annex B 2

Appendix 7 / 18

Installation:

- The drillings are done at the factory or on site under workshop conditions; when making drillings on site the execution is supervised by the responsible project supervisor or a skilled representative of the project supervisor.
- Making of the undercut drilling is done with a special drill bit or a special CNC drill bit according to Annex B 4 and a special drilling device in accordance with the information deposited with Deutsches Institut für Bautechnik (DIBt).
- The drilling residues must be removed from the drill hole.
- In case of aborted hole: new drilling at a minimum distance, of 15 mm away from the aborted hole.
- The geometry of the drill hole is checked at least on 5 % of all drillings. Check also when using a new drill bit or the operator changes. The following dimensions shall be checked and documented according to manufacturer's information and testing instructions by means of a control aids according to Annex B 5, Figure B5, B6 and B7.
 - Diameter of the cylindrical drill hole.
 - Diameter of the undercut.
 - Remaining panel thickness (drill hole depth and panel thickness respectively).
- If the tolerance given in Annex B 4, Table B2 is exceeded, the geometry of the drill hole shall be checked on 25 % of the drillings performed. No further drill hole should exceed the tolerances otherwise all drill holes have to be controlled. Drill holes falling below or exceeding the tolerances shall be rejected.

Note:

Checking the geometry of drill hole on 5 % of all drillings means that on one of 5 panels (this corresponds to 20 drillings for panels with 4 undercut anchors) one drilling shall be checked. If the tolerances given in Annex B 4, Table B2 are exceeded, the control shall be increased to 25 % of the drillings, i.e. one drilling shall be checked on all the 5 panels.

- The anchors are installed in a deformation controlled manner. For this purpose suitable installation tools per Annex B 5, Figure B4 shall be used. The anchor is set correctly if, bolt projection "b" as per Annex A 2, Figure A4 according Annex B 6, Illustration 5.1 is observed. The dimension "b" is indicated in the anchor designation.
- During transport and storage on site the façade panels are protected from damages; the façade panels are not to be hung up jerkily (if need be lifters shall be used for hanging up the façade panels); façade panels and reveal panels respectively with incipient cracks are not be installed.
- The façade is installed by skilled specialists and the laying instructions of the manufacturer shall be paid attention to.
- The façade panels must not be used for the transmission of impact loads and for the protection against falling.
- Overhead installation is allowed.

fischer Zykon panel anchor FZP II T D40 for ceramic tiles according to EN 14411

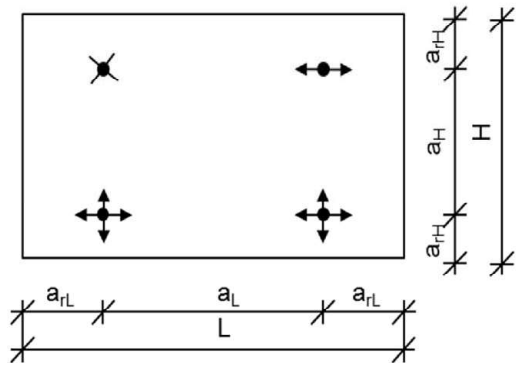
Intended use
Installation

Annex B 3

Appendix 8 / 18

Definition of edge distance and anchor spacing

Figure B1:




Legend:

a_{rL}, a_{rH} = Edge distance – anchor distance to the panel edge

a_L, a_H = Spacing – Distance between the anchors

L = Length of the panel in horizontal direction

H = Length of the panel in vertical direction

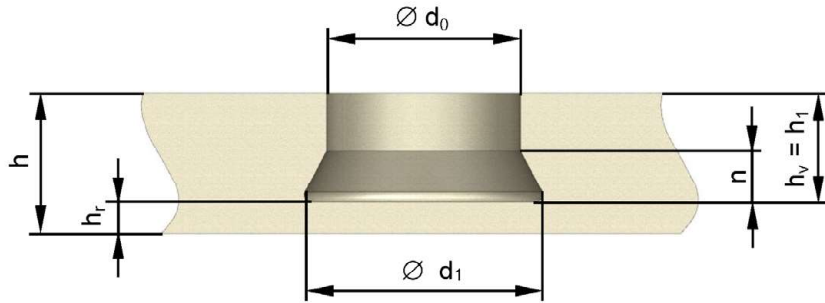
 = Fixed bearing (fixed support)

 = Horizontal slide bearing (slide support)

 = Horizontal and vertical slide bearing (slide support)

Drill hole geometry

Figure B2



Drill bits

Figure B3:

Examples:



Table B2: Drill hole dimensions and anchor allocation

$\varnothing d_0$	$\varnothing d_1$	h_v	h_r	n
11,2 $\begin{matrix} +0,4 \\ -0,2 \end{matrix}$	13,5 $\pm 0,3$	$\begin{matrix} +0,4 \\ -0,1 \end{matrix}$	≈ 4	≈ 4
Anchor type		FZP II 11x6 M6/T	FZP II 11x8 M6/T	FZP II 11x9 M6/T
Anchorage depth	$h_v =$	[mm] 6	8	9
Panel thickness	$h_{nom} \geq$	[mm] 10	12	13

fischer Zykon panel anchor FZP II T D40 for ceramic tiles according to EN 14411

Intended use

Installation, drill hole geometry, drill bit and drill hole parameters

Annex B 4

Appendix 9 / 18

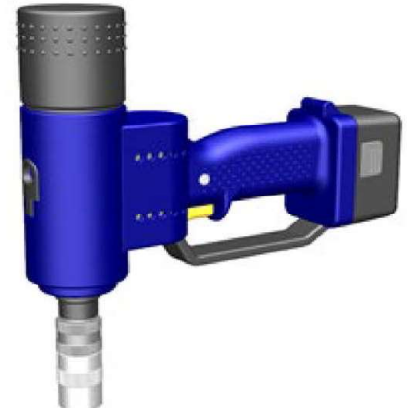
Setting tools
Figure B4:



Manual setting tool SGT



Cordless screwdriver with setting tool e.g. SGA or screw socket



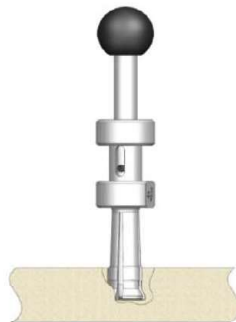
Battery-setting tool SGB

Means for undercut control $\varnothing d_1$
Figure B5:



STU (Internal quick test)

Volume gauge



HVL-T (Undercut minimum volume gauge)

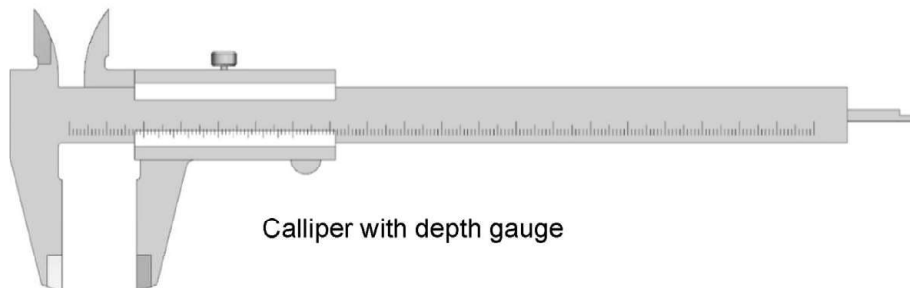
Figure B6:

Go / noGo gauge for checking cylindrical drill hole diameter d_0



DPL-T (Diameter gauge)

Means for measuring drill hole depth h_1 and drill hole diameter d_0
Figure B7:



Calliper with depth gauge

fischer Zykon panel anchor FZP II T D40 for ceramic tiles according to EN 14411

Intended use
 Setting devices and testing equipment

Annex B 5
 Appendix 10 / 18

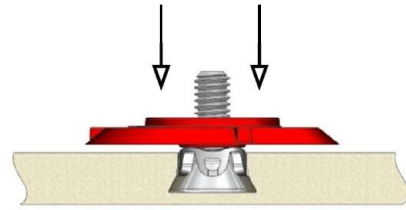
Installation instructions

Example: Anchor installation with SGA

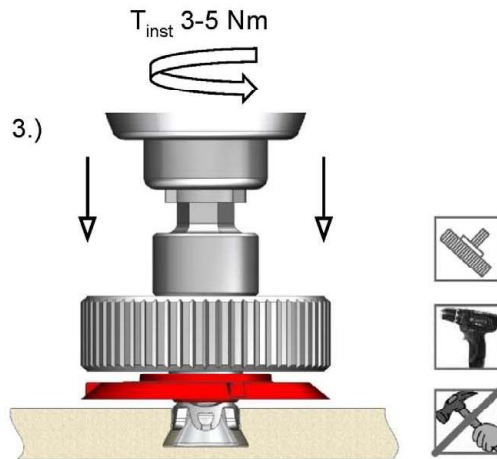
1.)



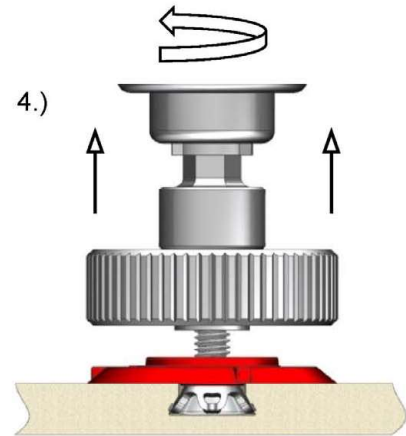
2.)



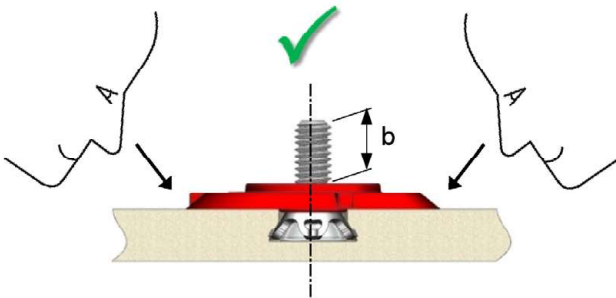
3.)



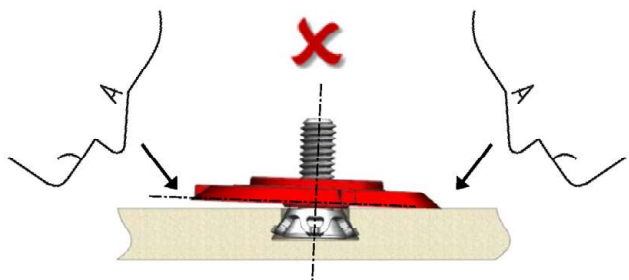
4.)



5.1)



5.2)



fischer Zykon panel anchor FZP II T D40 for ceramic tiles according to EN 14411

Intended use
Installation instructions

Annex B 6
Appendix 11 / 18

Characteristic values of anchors and panels

Table C1: Characteristic values of anchors and panels

Bending strength class			A ; B und C		
Nominal panel thickness	$h_{nom} \geq$	[mm]	10	12	13
Anchorage depth	$h_v =$	[mm]	6	8	9
Characteristic tension load ²⁾	$N_{Rk} =$	[kN]	1,8	3,1	3,5
Characteristic shear load ²⁾	$V_{Rk} =$	[kN]	3,0	3,6	3,8
Edge distance ³⁾	$a_r \geq$	[mm]	50		
Spacing ³⁾	$a \geq$	[mm]	100		
Partial safety factor ¹⁾	$\gamma_M =$	[-]	1,8		
Value for tri-linear function with combined tension- and shear load	$\chi =$	[-]	1,0		

1) In absence of other national regulations.

2) For interaction of tension and shear load Annex D 4 equation (3) is decisive.

3) For small fitted pieces, differential or fill-in pieces the minimum edge distance or spacing shall be chosen constructively.

Table C2: Characteristic resistance for steel failure

Type of Anchor			FZP II 11 M6/T
Characteristic resistance under tension load ²⁾	$N_{Rk,s} =$	[kN]	11,10
Partial safety factor ¹⁾	$\gamma_{Ms} =$	[-]	1,89
Characteristic resistance under shear load ²⁾	$V_{Rk,s} =$	[kN]	5,53
Partial safety factor ¹⁾	$\gamma_{Ms} =$	[-]	1,57

1) In absence of national regulations

2) Without strain hardening of the cone bolt and minimum tensile strength of 550 N/mm²

fischer Zykon panel anchor FZP II T D40 for ceramic tiles according to EN 14411

Performances

Characteristic values for anchor design

Annex C 1

Appendix 12 / 18

Design method

Additional:

The design values of the actions shall be calculated on basis of EN 1990:2002+A1:2005+A1:2005/AC:2010 in consideration of the existing loads. The combinations of actions shall be equal to EN 1990:2002+A1:2005+A1:2005/AC:2010. The actions shall be specified according to EN 1991-1 to 4:2005 + A1:2010 + AC:2010. Corresponding national regulations shall be taken into consideration. The unfavourable combination is decisive. Where necessary for the design of the anchor and the façade panel several combinations shall be analysed separately.

The typical fundamental combination for façade panels considers actions from dead load $F_{E_k,G}$ (permanent action) and wind $F_{E_k,w}$ (leading variable action).

According to EN 1990:2002+A1:2005+A1:2005/AC:2010 the following fundamental combination depending on the load direction results for a vertical façade panel:

Fundamental combination for loads parallel to the panel: $F_{Ed||} = F_{E_k,G} \cdot \gamma_G$

Fundamental combination for loads perpendicular to the panel: $F_{Ed\perp} = F_{E_k,w} \cdot \gamma_Q$

with $\gamma_G = 1,35$; $\gamma_Q = 1,50$

For hanging panels (over head mounting) or reveals respectively the load direction shall be taken into consideration and the combinations of actions shall be based on EN 1990:2002+A1:2005+A1:2005/AC:2010.

The calculation shall be carried out in a linear elastic manner. The stiffness of the substructure shall be considered for the respective case of application. The design value of the actions shall be compared with the design values of the resistance.

Design of the anchor and the façade panels is carried out according to the design method in accordance with Annex B 2 and D 1 to D 6.

The characteristic wind loads for selective panel sizes and bearing conditions given in Annex D 3, Table D1 only apply, if the substructure (horizontal and vertical profiles) and their fixings are arranged symmetrically.

fischer Zykon panel anchor FZP II T D40 for ceramic tiles according to EN 14411

Informative
Design method additional

Annex D 1
Appendix 13 / 18

Verification of the anchor loads

For the determined anchor forces it shall be verified that the equation (1) and (2) are fulfilled. For combined tension and shear forces additional equation (3) has to be fulfilled.

$$\text{Tension / compression load: } \frac{N_{Ed}}{N_{Rd}} \leq 1,0 \quad (1)$$

$$\text{Shear load: } \frac{V_{Ed}}{V_{Rd}} \leq 1,0 \quad (2)$$

$$\text{interaction oblique tension: } \frac{N_{Ed}}{N_{Rd}} + \frac{V_{Ed}}{V_{Rd}} \leq 1,0 \quad (3)$$

with:

N_{Ed} = design value of existing anchor tension load

V_{Ed} = design value of existing anchor shear load

N_{Rd} = design value of anchor load-bearing capacity for tension load: $N_{Rd} = \frac{N_{Rk}}{\gamma_M}$

V_{Rd} = design value of anchor load-bearing capacity for shear load: $V_{Rd} = \frac{V_{Rk}}{\gamma_M}$

N_{Rk} = characteristic resistance tension (Annex C 1)

V_{Rk} = characteristic resistance shear (Annex C 1)

γ_M = partial safety factor (Annex C 1)

Verification of the bending stresses

For the determined bending stresses it shall be verified, that the following equation is met:

$$\sigma_{Ed} \leq \sigma_{Rd} \quad (4)$$

with:

σ_{Ed} = design value of existing bending stress in the façade panel

σ_{Rd} = design value of bending strength: $\sigma_{Rd} = \frac{\sigma_{Rk}}{\gamma_M}$

σ_{Rk} = characteristic design value of bending strength

Characteristic wind loads for selective panel sizes and bearing conditions

In Annex D 3 Table D1 several panel systems are listed as a function of the panel slab thickness, the anchorage depth, the edge distance, the panel size, the number of clasps and the kind of support.

The prove of structural stability is fulfilled if the characteristic wind load w_{Ek} does not exceed the values of $w_{Ek,Tab}$ in Table D1. In addition, precise engineering calculations can also be carried out.

$$w_{Ek} \leq w_{Ek,Tab}$$

with:

w_{Ek} = characteristic wind load

$w_{Ek,Tab}$ = Table value of characteristic wind loads

fischer Zykon panel anchor FZP II T D40 for ceramic tiles according to EN 14411

Informative

Verification of the anchor loads

Annex D 2

Appendix 14 / 18

Table D1: Characteristic wind loads

System	h ≥ [mm]	h _s = [mm]	a _{rx,1} a _{ry,2} [mm]	a _{ry,1} a _{rx,2} [mm]	Panel length/width [mm]	Agraffes	Kind of supports according Annex D 5	Strength class		
								A	B	C
								Characteristic wind load		
								W _{EK, Tab} [kN/m ²]	W _{EK, Tab} [kN/m ²]	W _{EK, Tab} [kN/m ²]
1	10	6	50-150	50-150	600x600	4	Figure 5	3,5	3,9	4,4
	12	8						5,0	5,7	6,4
	13	9						5,8	6,7	7,5
2	10	6	50-150	50-200	600x900	4	Figure 5	2,1	2,4	2,7
	12	8						3,1	3,5	3,9
	13	9						3,6	4,1	4,6
3	10	6	50-150	100-250	600x1200	4	Figure 5	1,5	1,7	1,9
	12	8						2,1	2,4	2,8
	13	9						2,5	2,9	3,2
4	10	6	50-200	50-200	750x750	4	Figure 5	1,9	2,2	2,5
	12	8						2,8	3,2	3,6
	13	9						3,3	3,7	4,2
5	10	6	100-200	100-200	900x900	4	Figure 5	1,6	1,8	2,0
	12	8						2,3	2,6	2,9
	13	9						2,7	3,0	3,4
6	10	6	100-225	150-250	900x1200	4	Figure 5	1,1	1,3	1,4
	12	8						1,6	1,8	2,1
	13	9						1,9	2,1	2,4
7	10	6	100-200	100-200	1000x1000	4	Figure 5	1,3	1,5	1,6
	12	8						1,8	2,1	2,4
	13	9						2,2	2,5	2,8
8	10	6	100-250	100-250	1200x1200	4	Figure 5	0,8	0,9	1,0
	12	8						1,2	1,3	1,5
	13	9						1,4	1,6	1,8
9	10	6	50-100	125-150	600x1200	6 ¹⁾	Figure 6 and 7	1,8	2,0	2,3
	12	8						2,6	2,9	3,3
	13	9						3,0	3,4	3,9
10	10	6	150-200	125-175	900x1200	6 ¹⁾	Figure 6 and 7	1,2	1,4	1,6
	12	8						1,8	2,0	2,3
	13	9						2,1	2,4	2,7
11	10	6	150-200	100-150	1000x1000	6 ¹⁾	Figure 6 and 7	1,4	1,6	1,8
	12	8						2,1	2,3	2,6
	13	9						2,4	2,7	3,1
12	10	6	200-250	150-200	1200x1200	6 ¹⁾	Figure 6 and 7	1,0	1,2	1,3
	12	8						1,5	1,7	1,9
	13	9						1,7	2,0	2,3

1) - The subframe has to be symmetrical.

For further constructional requirements refer to Annex D 4, Figure 1-4.

- The moment of inertia of profiles, supporting three fixing points of a panel, must be minimum
 I_y [cm⁴] = 26,1 • L_i [m] – 19,4.

valid for: 0,75 ≤ L_i ≤ 1,4 L_i : equivalent support width (Annex D 4, Figure 4)

I_y : The moment of inertia of profiles, in direction parallel to the façade panel layer.
 (resistance normal to the façade panel layer – see Annex A 1)

The modules of elasticity of the profiles must be E ≥ 70000 N/mm².

- In addition, precise object-related dimensioning can also be carried out, resulting in other panel formats and anchor spacings.

fischer Zykon panel anchor FZP II T D40 for ceramic tiles according to EN 14411

Informative
 Characteristic wind loads

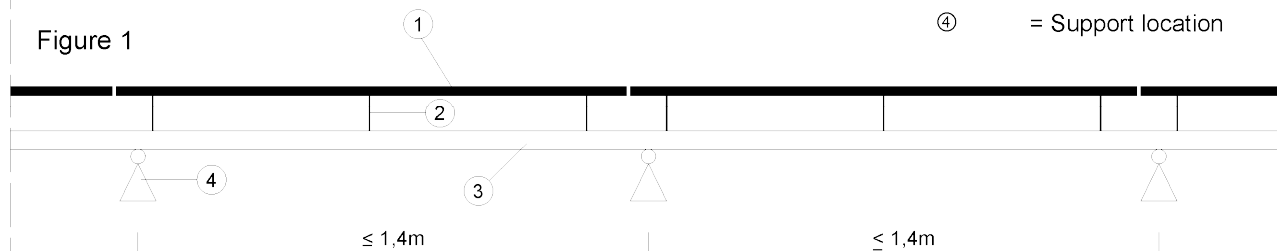
Annex D 3
 Appendix 15 / 18

Maximum support spacing and location of the subframe fixings

Caption:

- ① = Panel
- ② = Fixing point
- ③ = Profile
- ④ = Support location

Figure 1



- Profiles, supporting three fixing points of a panel, have a maximum spacing of the supports of 1,4 m (see Figure 1)

Figure 2

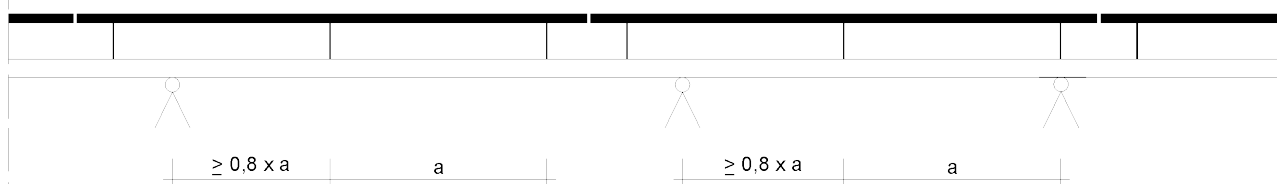
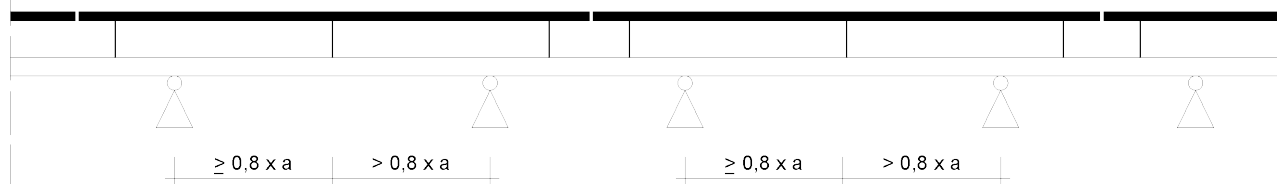
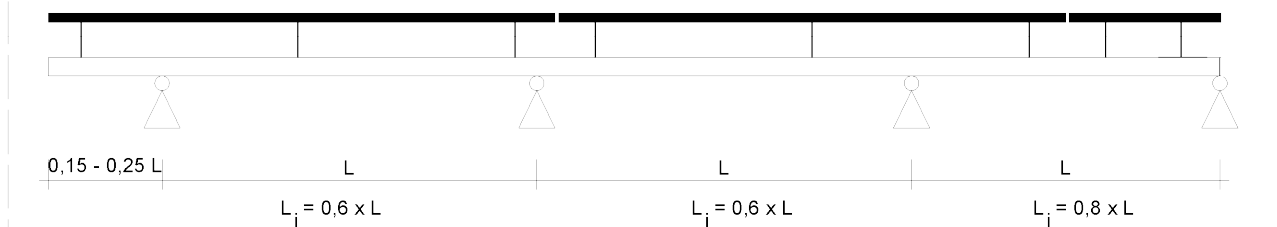


Figure 3



- In profiles, supporting three fixing points of a panel, the central fixing points must have a minimum distance of $0,8 \cdot a$ to the supports.
Whereby "a" is the spacing of the fixing points of the panel

Figure 4: Equivalent support spacing



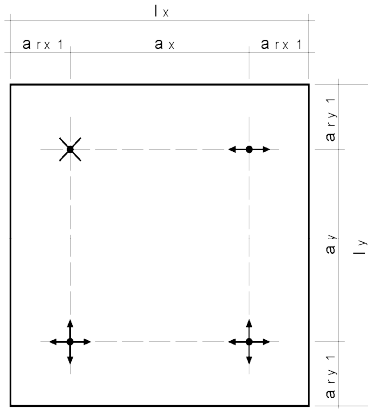
fischer Zykon panel anchor FZP II T D40 for ceramic tiles according to EN 14411

Informative
Maximum support spacing and location of the subframe fixings

Annex D 4
Appendix 16 / 18

Supports – Definition of edge distances and spacing

Figure 5



Caption:




- a_{rx}, a_{ry} = Edge distance – anchor distance to the panel edge
- a_x, a_y = Spacing – Distance between the anchors
- l_x = Length of the panel in horizontal direction
- l_y = Length of the panel in vertical direction
-  = Fixed bearing (fixed support)
-  = Horizontal slide bearing (slide support)
-  = Horizontal and vertical slide bearing (slide support)

Figure 6

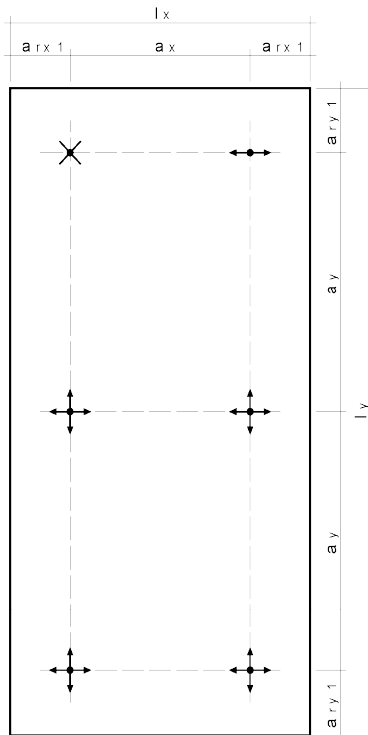
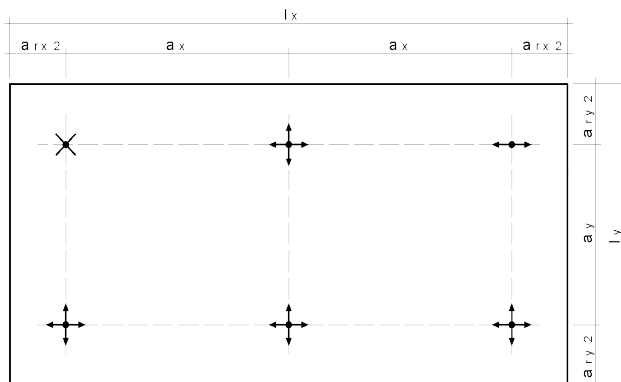


Figure 7



fischer Zykon panel anchor FZP II T D40 for ceramic tiles according to EN 14411

Informative

Supports – Definition of edge distances and spacing

Annex D 5

Appendix 17 / 18

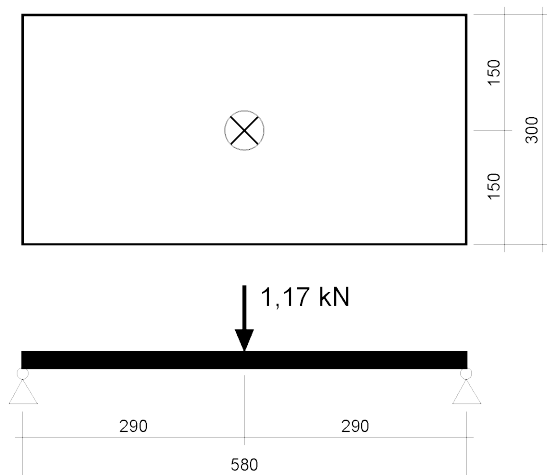
Guideline for structural calculation by means of FE - method

For structural calculation by means of the Finite-Element-Method the façade panels are to be idealized with their effective dimensions (size and thickness) as panel elements; the system chosen shall have the capacity to sufficiently precise represent the tension and the deformation state as well as the support reactions of the façade panels. The mesh size at fixing range shall not exceed 10 mm.

The modelling of the façade panel is to be calibrated on the basis of the following points:

- modelling a panel section of 580 mm x 300 mm with a panel thickness of 12 mm
- support at the short sides with rotatable restraint
- loading at centre with a single load of 1,17 kN
- determination of a factor $f_{cal,FE} = 58,8 / \sigma_{FE}$
- the determined bending stresses shall be multiplied with factor $f_{cal,FE}$ ($\sigma_{Ek} = \sigma_{FE} \cdot f_{cal,FE}$); the factor $f_{cal,FE}$ shall only be considered for stresses due to support moments.

σ_{FE} = maximum of main tensile stress [N/mm²]



fischer Zykon panel anchor FZP II T D40 for ceramic tiles according to EN 14411

Informative
Calculation by means of FE - method

Annex D 6
Appendix 18 / 18