

VYHLÁSENIE O PARAMETROCH

DoP 0352

pre fischer chemický kotviaci systém Superbond (Malta pre dodatočne nainštalované armovacie spoje)

SK

1. Jedinečný identifikačný kód typu výrobku: DoP 0352
2. Zamýšľané použitie/použitia: **Systém na dodatočné namontovanie výstuže s maltou na použitie v betóne., Pozri prílohu, najmä prílohy B1- B10.**
3. Výrobca: **fischerwerke GmbH & Co. KG, Otto-Hahn-Straße 15, 79211 Denzlingen, Nemecko**
4. Spĺnomocnený zástupca: -
5. Systém(-y) posudzovania a overovania nemennosti parametrov: 1
6. Európsky hodnotiaci dokument: **ETAG 001, Part 5, April 2013, v zmysle EAD**
Európske technické posúdenie: **ETA-13/0651; 2015-06-18**
Orgán technického posudzovania: **DIBt- Deutsches Institut für Bautechnik**
Notifikovaný(-é) subjekt(-y): **2873 TU Darmstadt**
7. Deklarované parametre:
Mechanická odolnosť a stabilita (BWR 1)
Charakteristická odolnosť v ťahu (statické a kvázistatické zaťaženie):
Pevnosť lepeného spoja dodatočne vlepenej výstuže: Príloha C1
Redukčný faktor: Príloha C1
Súčiniteľ zvýšenia minimálnej kotevnej hĺbky: Príloha C1

Bezpečnosť v prípade požiaru (BWR 2)
Reakcia na oheň: Trieda (A1)

Odolnosť proti ohňu:
Pevnosť lepeného spoja pri zvýšenej teplote: NPD
8. Vhodná technická dokumentácia a/alebo špecifická technická dokumentácia: -

Uvedené parametre výrobku sú v zhode so súborom deklarovanych parametrov. Toto vyhlásenie o parametroch sa v súlade s nariadením (EÚ) č. 305/2011 vydáva na výhradnú zodpovednosť uvedeného výrobcu.

Podpísal(-a) za a v mene výrobcu:



Dr.-Ing. Oliver Geibig, konateľ oddelenia Produkt management & vývoj
Tumlingen, 2023-12-01

Jürgen Grün, konateľ oddelenia Chemická výroba & kvalita

Toto vyhlásenie o vlastnostiach bolo vyhotovené v rôznych jazykoch. V prípade, že dôjde k rozdielnemu výkladu má anglická verzia vždy prednosť.

Príloha obsahuje dobrovoľné a doplňujúce informácie v anglickom jazyku. Tieto vychádzajú zo zákonom stanovených požiadaviek (jazykovo neutrálnych) .

Specific part

1 Technical description of the product

The subject of this European technical assessment is the post-installed connection, by anchoring or overlap connection joint, of reinforcing bars (rebars) in existing structures made of normal weight concrete, using the fischer injection mortar Superbond in accordance with the regulations for reinforced concrete construction.

Reinforcing bars made of steel with a diameter ϕ from 8 to 32 mm according to Annex A 4 or the fischer rebar anchor FRA sizes M12, M16, M20 and M24 according to Annex A 5 and injection mortar fischer injection mortar FIS SB are used for rebar connections. The steel element is placed into a drilled hole filled with injection mortar and is anchored via the bond between embedded element, injection mortar and concrete.

The product description is given in Annex A.

2 Specification of the intended use in accordance with the applicable European Assessment Document

The performances given in Section 3 are only valid if the rebar connection is used in compliance with the specifications and conditions given in Annex B.

The verifications and assessment methods on which this European Technical Assessment is based lead to the assumption of a working life of the rebar connection of at least 50 years. The indications given on the working life cannot be interpreted as a guarantee given by the producer, but are to be regarded only as a means for choosing the right products in relation to the expected economically reasonable working life of the works.

3 Performance of the product and references to the methods used for its assessment

3.1 Mechanical resistance and stability (BWR 1)

| Essential characteristic | Performance |
|---|---------------|
| Design values of the ultimate bond resistance | See Annex C 1 |

3.2 Safety in case of fire (BWR 2)

| Essential characteristic | Performance |
|--------------------------|---|
| Reaction to fire | Rebar connections satisfy requirements for Class A1 |
| Resistance to fire | No performance assessed |

3.3 Hygiene, health and the environment (BWR 3)

Regarding dangerous substances there may be requirements (e.g. transposed European legislation and national laws, regulations and administrative provisions) applicable to the products falling within the scope of this European Technical Assessment. In order to meet the provisions of Regulation (EU) No 305/2011, these requirements need also to be complied with, when and where they apply.

3.4 Safety in use (BWR 4)

The essential characteristics regarding Safety in use are included under the Basic Works Requirement Mechanical resistance and stability.

4 Assessment and verification of constancy of performance (AVCP) system applied, with reference to its legal base

In accordance with guideline for European technical approval ETAG 001, April 2013 used as European Assessment Document (EAD) according to Article 66 Paragraph 3 of Regulation (EU) No 305/2011 the applicable European legal act is: [96/582/EC].

The system to be applied is: 1

Installation anchor

Figure A1:

Overlap joint with existing reinforcement for rebar connections of slabs and beams

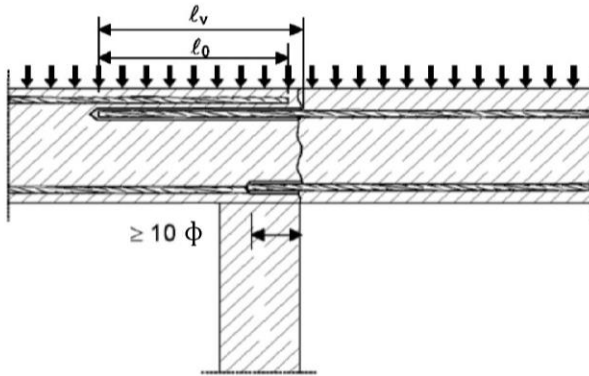


Figure A3:

End anchoring of slabs of beams (e.g. designed as simply supported)

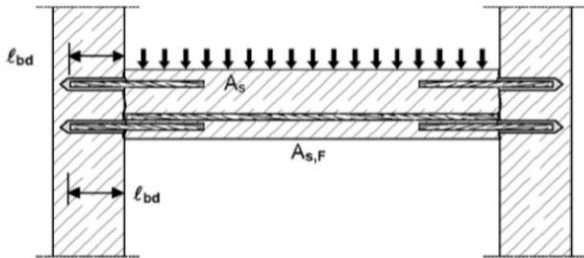


Figure A5:

Anchoring of reinforcement to cover the enveloped line of acting tensile force in the bending member

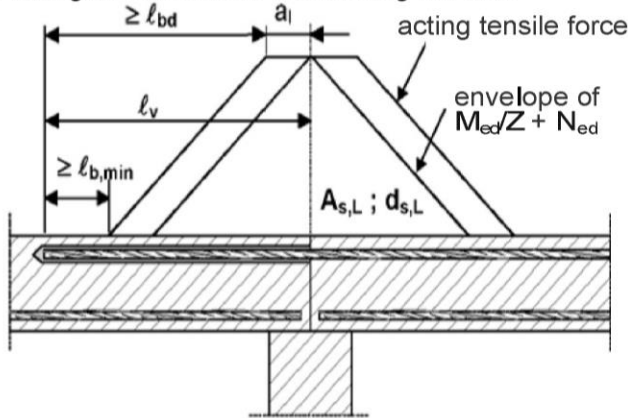


Figure A2:

Overlap joint with existing reinforcement at a foundation of a column or wall where the rebars are stressed

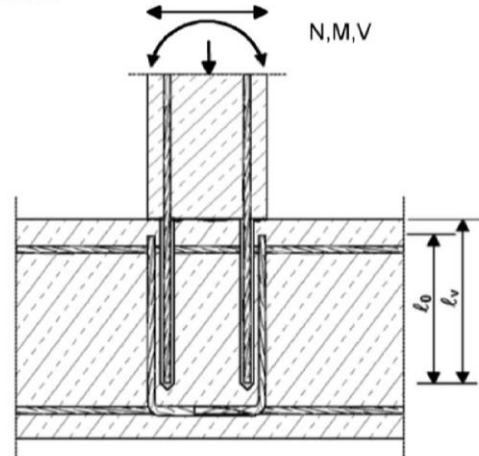
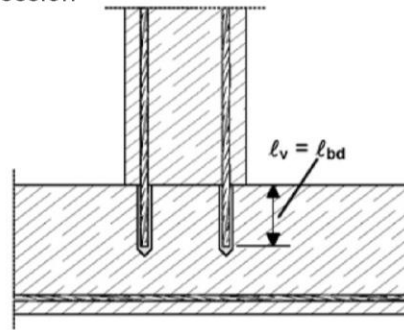


Figure A4:

Rebar connection for stressed primarily in compression



Note to **Figure A1 to A5**

In the Figures no traverse reinforcement is plotted, the traverse reinforcement shall comply with EN 1992-1-1: 2004+AC:2010.

Preparing of joints according to **Annex B 2**

Rebar connection with fischer Superbond

Product description

Installed condition and examples of use for rebars

Annex A 1

Appendix 3 / 18

Installation anchor

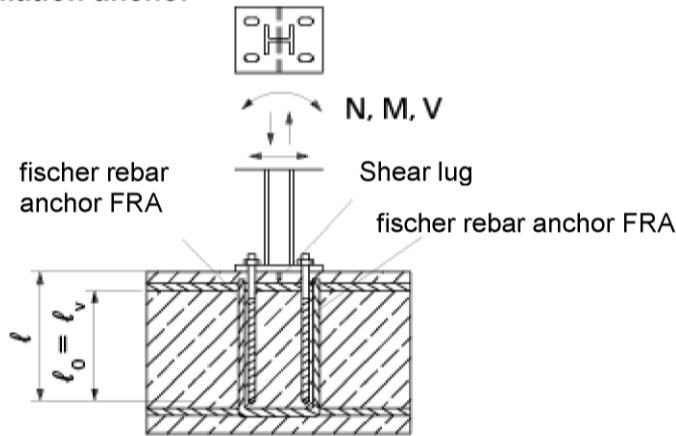


Figure A6: Lap to a foundation of a column under bending.

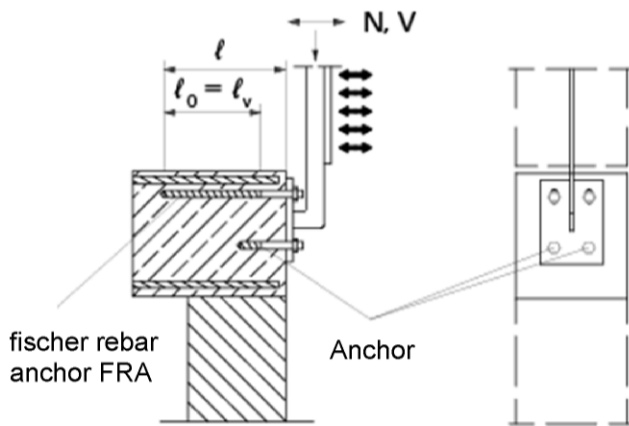


Figure A7: Lap of the anchoring of guardrail posts. In the anchor plate, the drill holes for the rebar anchors have to be designed as elongated holes with axial direction to the shear force.

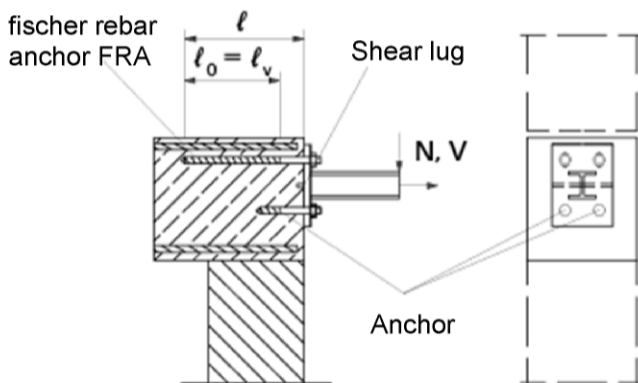


Figure A8: Lap of the anchoring of cantilevered buildings. In the anchor plate, the drill holes for the rebar anchors have to be designed as elongated holes with axial direction to the shear load.

The required transverse reinforcement acc. to EN 1992-1-1:2004+AC:2010 is not shown in the figures.

The Fischer rebar anchor FRA may be only used for axial tensile force. The tensile force must be transferred by lap to the existing reinforcement of the building. The transfer of the shear force has to be ensured by suitable measure, e.g. by means of shear force or anchors with European Technical Approval/Assessment (ETA)

Rebar connection with Fischer Superbond

Product description

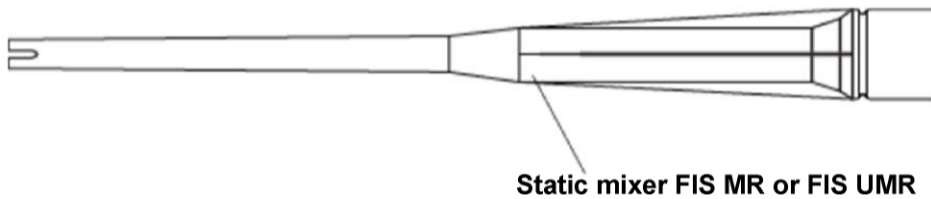
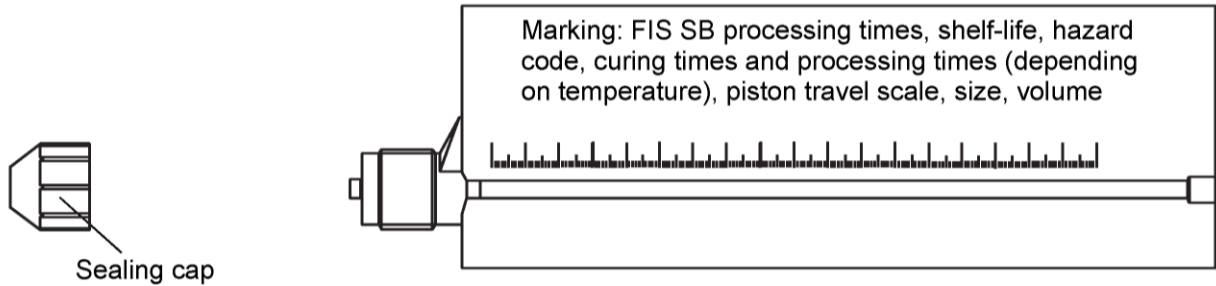
Installed condition and examples of use for rebar anchor FRA

Annex A 2

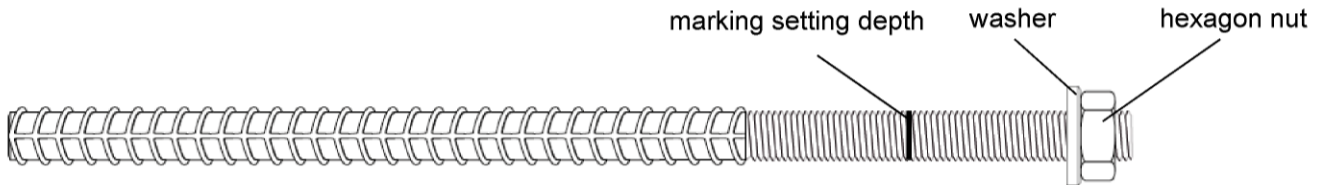
Appendix 4 / 18

Injection cartridge fischer FIS SB

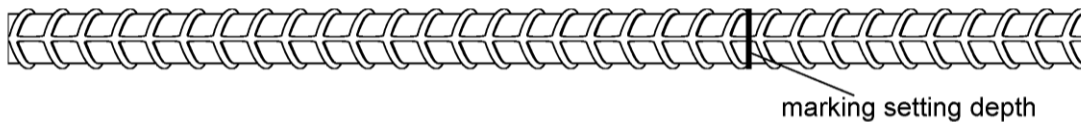
Sizes: 390 ml; 585 ml; 1100 ml, 1500 ml



fischer rebar anchor FRA M12, M16, M20, M24



Reinforcing bar (rebar) ϕ 8, ϕ 10, ϕ 12, ϕ 14, ϕ 16, ϕ 20, ϕ 25, ϕ 28, ϕ 32



Rebar connection with fischer Superbond

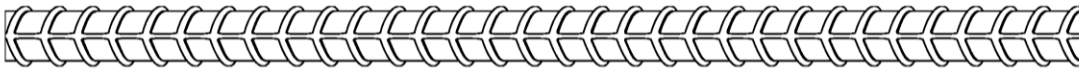
Product description

Injection mortar; rebar anchor FRA; reinforcing bar

Annex A 3

Appendix 5 / 18

Figure A9: Properties of reinforcing bars (rebar)



- The minimum value of related rip area $f_{R,min}$ according to EN 1992-1-1:2004+AC:2010
- The maximum outer rebar diameter over the ribs shall be:
 - The nominal diameter of the rip $\phi + 2 * h$ ($h \leq 0,07 * \phi$)
 - (ϕ : Nominal diameter of the bar; h : rip height of the bar)

Table A1: Materials of rebars

| Designation | Reinforcing bar (rebar) |
|--|--|
| Reinforcing bar EN 1992-1-1:2004+AC:2010, Annex C | Bars and de-coiled rods class B or C with f_{yk} and k according to NDP or NCL of EN 1992-1-1/NA:2013 $f_{uk} = f_{tk} = k \cdot f_{yk}$ |

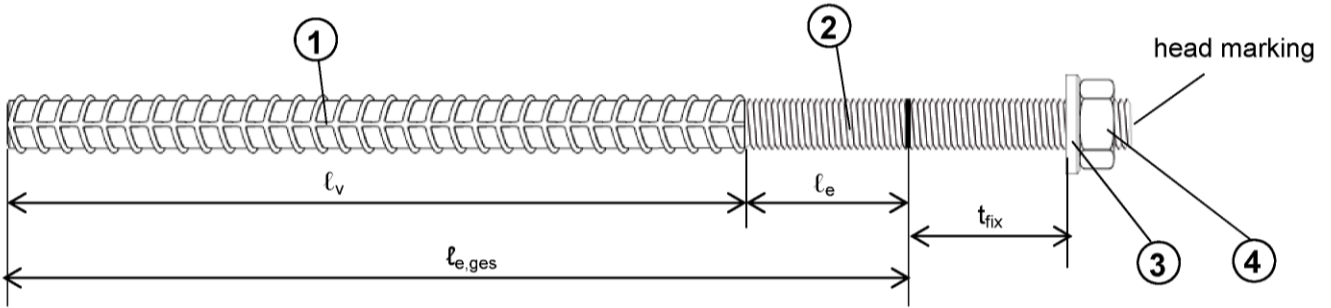
Rebar connection with fischer Superbond

Product description
Properties and materials of rebars

Annex A 4

Appendix 6 / 18

Figure A10: Properties of fischer rebar anchors FRA



Head marking e.g.:  FRA (for stainless steel)


 FRA C (for high corrosion-resistant steel)

Table A2: Installation parameters for fischer rebar anchors FRA

| Threaded diameter | | M12 | M16 | M20 | M24 | |
|---|--------------------------------|----------------------------|--------------|-----|-----|----|
| Nominal diameter of the bar | ϕ [mm] | 12 | 16 | 20 | 25 | |
| Width across flat | SW [mm] | 19 | 24 | 30 | 36 | |
| Nominal drill bit diameter | d_0 [mm] | 14 ²⁾ | 16 | 10 | 25 | 30 |
| Drill hole depth ($h_0 = l_{e,ges}$) | $l_{e,ges}$ [mm] | $l_v + l_e$ | | | | |
| Effective embedment depth | l_v [mm] | acc. to static calculation | | | | |
| Distance concrete surface to welded join | l_e [mm] | 100 | | | | |
| Diameter of clearance hole in the fixture ¹⁾ | Pre-positioned $\leq d_f$ [mm] | 14 | 18 | 22 | 26 | |
| | Push through $\leq d_f$ [mm] | 18 | 22 | 26 | 32 | |
| Minimum thickness of concrete member | h_{min} [mm] | h_0+30 ≥ 100 | $h_0 + 2d_0$ | | | |
| Maximum torque moment | $T_{inst,max}$ [Nm] | 50 | 100 | 150 | 150 | |

¹⁾ For bigger clearance holes in the fixture see chapter 1.1 of the TR 029

²⁾ Both drill bit diameters can be used

Table A3: Materials of fischer rebar anchors FRA

| Part | Description | Materials | |
|------|---------------------------------------|---|--|
| | | FRA | FRA C |
| 1 | Reinforcing bar | B500B acc. to DIN 488-1:2009 | |
| 2 | Round bar with partial or full thread | Stainless steel acc. to EN 10088-1:2014 | High corrosion-resistant steel acc. to EN 10088-1:2014 |
| 3 | Washer | Stainless steel acc. to EN 10088-1:2014 | High corrosion-resistant steel acc. to EN 10088-1:2014 |
| 4 | Hexagon nut | Stainless steel acc. to EN 10088-1:2014 Strength class 80; acc. to EN ISO 3506:2009 | High corrosion-resistant steel acc. to EN 10088-1:2014 Strength class 80; acc. to EN ISO 3506:2009 |

Rebar connection with fischer Superbond

Product description

Properties and materials of fischer rebar anchors FRA

Annex A 5

Appendix 7 / 18

Specifications of intended use

Anchorage subject to:

Static and quasi-static loads

Base materials:

- Reinforced or unreinforced normal weight concrete according to EN 206-1:2013
Strength classes C12/15 to C50/60 according to EN 206-1:2013
- Maximum chloride concrete of 0,40% (CL 0.40) related to the cement content according to EN 206-1:2013
- Non-carbonated concrete

Note: In case of a carbonated surface of the existing concrete structure the carbonated layer shall be removed in the area of the post-installed rebar connection with a diameter of $\phi + 60$ mm prior to the installation of the new rebar

The depth of concrete to be removed shall correspond to at least the minimum concrete cover in accordance with EN 1992-1-1:2004+AC:2010

The foregoing may be neglected if building components are new and not carbonated and if building components are in dry conditions

Temperature Range:

- -40°C to $+80^{\circ}\text{C}$ (max. short term temperature $+80^{\circ}\text{C}$ and max long term temperature $+50^{\circ}\text{C}$)

Use conditions (Environmental conditions) for fischer rebar anchors FRA:

- Structures subject to dry internal conditions exists (fischer rebar anchors FRA and FRA C)
- Structures subject to external atmospheric exposure (including industrial and marine environment) and to permanently damp internal condition, if no particular aggressive conditions exist (fischer rebar anchors FRA and FRA C)
- Structures subject to external atmospheric exposure and to permanently damp internal condition, if other particular aggressive conditions exist (fischer rebar anchors FRA C)

Note: Particular aggressive conditions are e.g. permanent, alternating immersion in seawater or the splash zone of seawater, chloride atmosphere of indoor swimming pools or atmosphere with extreme chemical pollution (e.g. in desulphurization plants or road tunnels where de-icing materials are used)

Design:

- Anchorages are designed under the responsibility of an engineer experienced in anchorages and concrete work
- Verifiable calculation notes and drawings are prepared taking account of the forces to be transmitted
- Design according to EN 1992-1-1:2004+AC:2010 and Annex B 2 and Annex B3
- The actual position of the reinforcement in the existing structure shall be determined on the basis of the construction documentation and taken into account when designing

Installation:

- Dry or wet concrete
- It must not be installed in flooded holes
- Overhead installation allowed
- Hole drilling by hammerdrill or compressed airdrill mode
- The installation of post-installed rebar shall be done only by suitable trained installer and under Supervision on site; the conditions under which an installer may be considered as suitable trained and the conditions for Supervision on site are up to the Member States in which the installation is done
- Check the position of the existing rebars (if the position of existing rebars is not known, it shall be determined using a rebar detector suitable for this purpose as well as on the basis of the construction documentation and then marked on the building component for the overlap joint)

Rebar connection with fischer Superbond

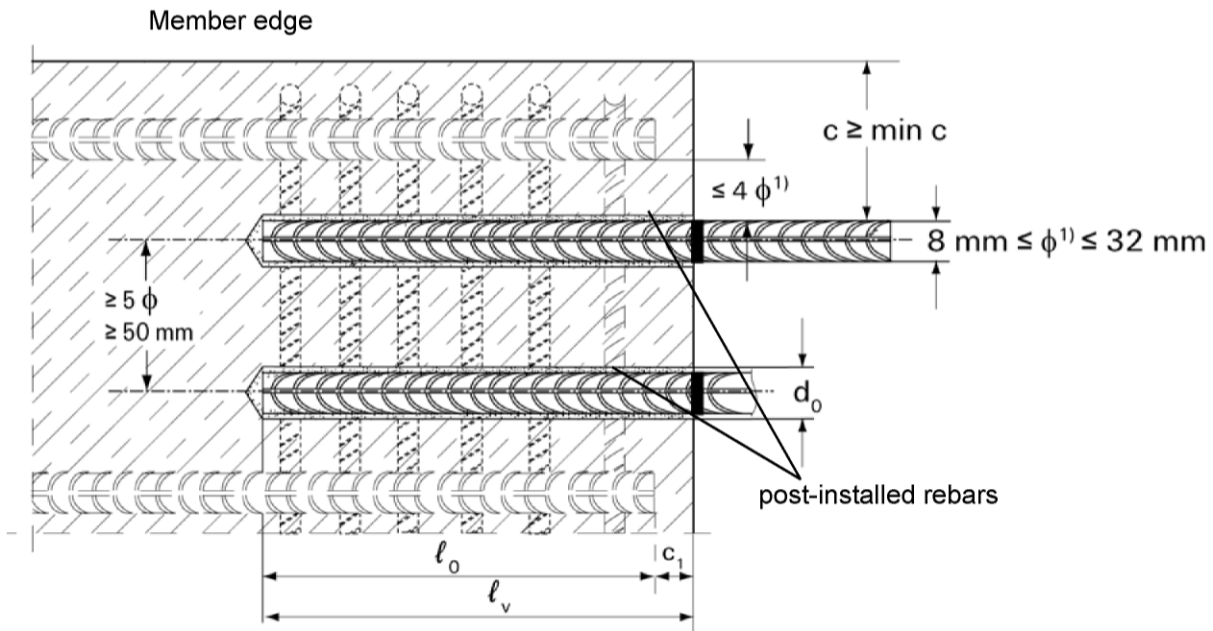
Intended use
Specifications

Annex B 1

Appendix 8 / 18

Figure B1: General construction rules for post-installed rebars

- Only tension forces in the axis of the rebar may be transmitted
- The transfer of shear forces between new concrete and existing structure shall be designed additionally according to EN 1992-1-1:2004+AC:2010
- The joints for concreting must be roughened to at least such an extent that aggregate protrude



¹⁾ If the clear distance between lapped bars exceeds 4ϕ then the lap length shall be increased by the difference between the clear bar distance and 4ϕ

- c concrete cover of post-installed rebar
 c_1 concrete cover at end-face of existing rebar
 $\min c$ minimum concrete cover according to Table B1 and to EN 1992-1-1:2004+AC:2010, Section 4.4.1.2
 ϕ nominal diameter of the bar
 l_0 lap length, according to EN 1992-1-1:2004+AC:2010, Section 8.7.3
 l_v effective embedment depth, $\geq l_0 + c_1$
 d_0 nominal drill bit diameter, see Annex B 5

Rebar connection with fischer Superbond

Intended use

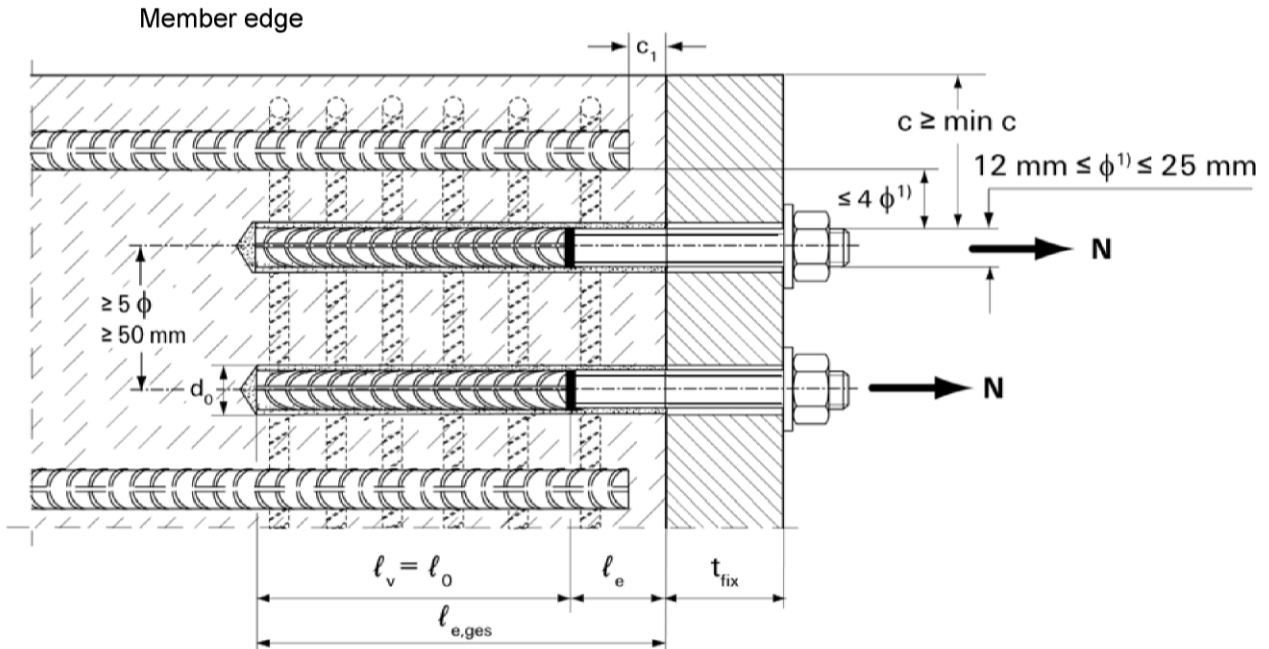
General construction rules for post-installed rebars

Annex B 2

Appendix 9 / 18

Figure B2: General construction rules for post-installed rebar anchors FRA

- Only tension forces in the axis of the FRA may be transmitted
- The tension force must be transferred via an overlap joint to the reinforcement in the building part.
- The transmission of the shear load shall be ensured by appropriate additional measures, e.g. by shear lugs or by anchors with an European Technical Assessment (ETA).
- In the anchor plate, the holes for the tension anchor shall be executed as elongated holes with the axis in the direction of the shear force.



¹⁾ If the clear distance between lapped bars exceeds 4ϕ then the lap length shall be increased by the difference between the clear bar distance and 4ϕ

- c concrete cover of post-installed FRA
- c_1 concrete cover at end-face of existing rebar
- min c minimum concrete cover according to Table B1 and to EN 1992-1-1:2004+AC:2010, Section 4.4.1.2
- ϕ nominal diameter of the bar
- l_0 lap length, according to EN 1992-1-1:2004+AC:2010, Section 8.7.3
- $l_{e,ges}$ overall embedment depth, $\geq l_v + l_e$
- l_e length of the bonded in threaded part
- d_0 nominal drill bit diameter, see Annex B 5
- t_{fix} thickness of the fixture
- l_v effective embedment depth

Rebar connection with fischer Superbond

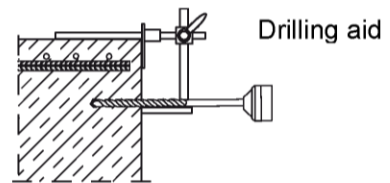
Intended use

General construction rules for post-installed rebar anchors FRA

Annex B 3

Appendix 10 / 18

Table B1:
Minimum concrete cover $c^{1)}$ depending of
the drilling method and the drilling
tolerance



| Drilling method | Nominal diameter of the bar ϕ [mm] | Minimum concrete cover min c | |
|-------------------------|---|-------------------------------|---|
| | | Without drilling aid [mm] | With drilling aid [mm] |
| Hammer drilling | ≤ 20 | $30 \text{ mm} + 0,06 \ell_v$ | $30 \text{ mm} + 0,02 \ell_v \geq 2 \phi$ |
| | ≥ 25 | $40 \text{ mm} + 0,06 \ell_v$ | $40 \text{ mm} + 0,02 \ell_v \geq 2 \phi$ |
| Compressed air drilling | ≤ 20 | $50 \text{ mm} + 0,08 \ell_v$ | $50 \text{ mm} + 0,02 \ell_v$ |
| | ≥ 25 | $60 \text{ mm} + 0,08 \ell_v$ | $60 \text{ mm} + 0,02 \ell_v$ |

¹⁾ See Annex B2, Figure B1 and Annex B3, Figure B2

Note: The minimum concrete cover as specified in EN 1992-1-1:2004+AC:2010 must be observed

Table B2:
Dispensers and cartridge sizes corresponding to maximum embedment depth $\ell_{v,max}$

| Rebar /FRA | Manual and accu dispenser | | Pneumatic dispenser | | | | |
|------------------------------|--|--------|--|--------|---------|------|------|
| | Cartridge size | | Cartridge size | | | | |
| | 390 ml; | 585 ml | 390 ml | 585 ml | 1500 ml | | |
| ϕ [mm] | $\ell_{v,max} / \ell_{e,ges,max}$ [mm] | | $\ell_{v,max} / \ell_{e,ges,max}$ [mm] | | | | |
| 8 | 1000 | 1000 | 1400 | 2000 | 2000 | 2500 | 3000 |
| 10 | | | | | | | |
| 12 | | | | | | | |
| 14 | | | | | | | |
| 16 | | | | | | | |
| 20 | 600 | 600 | 1400 | 2000 | 2000 | 2500 | 3000 |
| 25 | | | | | | | |
| 28 | | | | | | | |
| 32 | | | | | | | |
| Minimum concrete temperature | | | | | | | |
| Maximum concrete temperature | + 40°C | | | | + 20°C | | |

Table B3: Working times t_{work} and curing times t_{cure}

| Temperature in the anchorage base [°C] | Minimum processing time t_{work} [minutes] FIS SB | Minimum curing time t_{cure} [minutes] FIS SB |
|--|---|---|
| ≥ -15 to -10 | 60 | 36 hours |
| > -10 to -5 | 30 | 24 hours |
| > -5 to ± 0 | 20 | 8 hours |
| $> \pm 0$ to $+5$ | 13 | 4 hours |
| $> +5$ to $+10$ | 9 | 120 |
| $> +10$ to $+20$ | 5 | 60 |
| $> +20$ to $+30$ | 4 | 45 |
| $> +30$ to $+40$ | 2 | 30 |

If the temperature in the concrete falls below 0°C the cartridge has to be warmed up to +15°C.

Rebar connection with fischer Superbond

Intended use

Minimum concrete cover/ Maximum embedment depth per dispenser and cartridge size/ Working times and curing times

Annex B 4

Appendix 11 / 18

Table B4:
Installation tools for drilling and cleaning the bore hole and injection of the mortar

| Rebar / FRA ϕ [mm] | Drilling and cleaning | | | | | | Injection | | | | |
|-------------------------------|---|----|---|-------------|---------------------------------------|------|----------------------------|---------------------------|-------------------------------|-------|--|
| | Nominal drill bit diameter d_0 [mm] | | Diameter of cutting edge d_{cut} [mm] | | Steel brush diameter d_b [mm] | | Cleaning nozzle [mm] | Extension tube [mm] | Injection adapter [colour] | | |
| 8 | 10 ¹⁾ | 12 | $\leq 10,5$ | $\leq 12,5$ | 11,0 | 12,5 | 11 | 9 | - | white | |
| 10 | 12 ¹⁾ | 14 | $\leq 12,5$ | $\leq 14,5$ | 12,5 | 15 | | | white | blue | |
| 12 | 14 ¹⁾ | 16 | $\leq 14,5$ | $\leq 16,5$ | 15 | 17 | | | blue | red | |
| 14 | 18 | | $\leq 18,5$ | | 19 | | 15 | 9 or 15 | yellow | | |
| 16 | 20 | | $\leq 20,55$ | | 25 | | | | 19 | green | |
| 20 | 25 | | $\leq 25,55$ | | 26,5 | | | | | black | |
| 25 | 30 | | $\leq 30,55$ | | 32 | | 28 | | grey | | |
| 28 | 35 | | $\leq 35,70$ | | 37 | | | | brown | | |
| 32 | 40 | | $\leq 40,70$ | | 42 | | | | nature | | |

¹⁾Both drill bit diameters can be used

Rebar connection with fischer Superbond

Intended use

Installation tools for drilling and cleaning the bore hole and injection installation of the mortar

Annex B 5

Appendix 12 / 18

Safety regulations



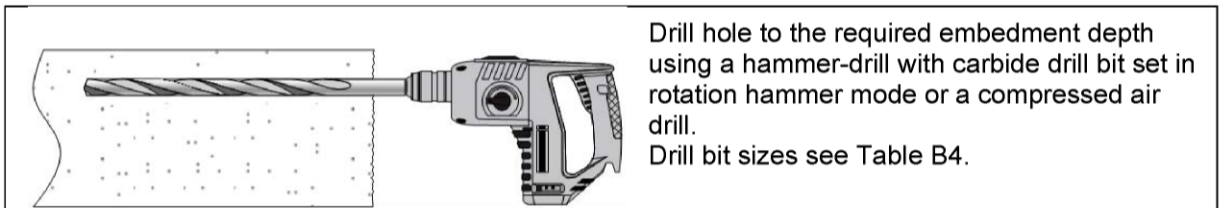
Review the Material Safety Data Sheet (MSDS) before use for proper and safe handling!

Wear well-fitting protective goggles and protective gloves when working with mortar fischer FIS SB

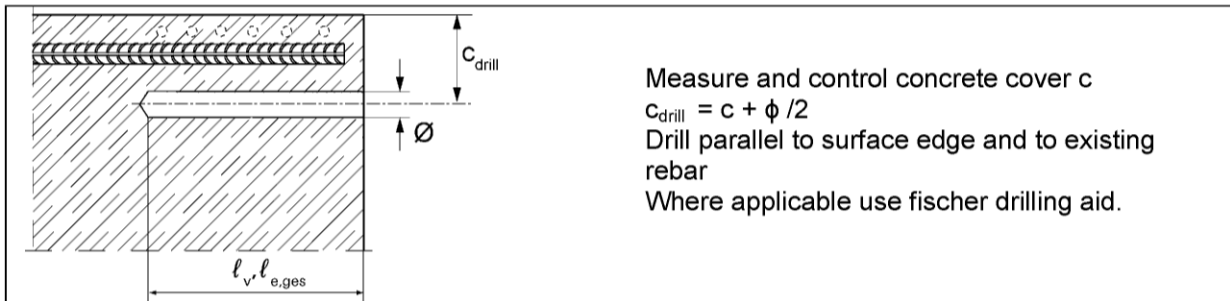
Important: Observe the instructions for use provided with each cartridge.

1. Drill hole

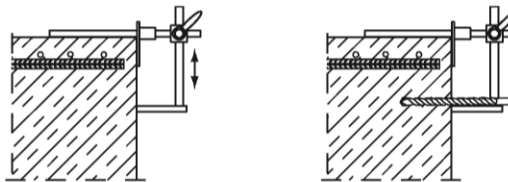
Note: Before drilling, remove carbonized concrete; clean contact areas (see Annex B 1)
In case of aborted drill hole the drill hole shall be filled with mortar.



Drill hole to the required embedment depth using a hammer-drill with carbide drill bit set in rotation hammer mode or a compressed air drill.
Drill bit sizes see Table B4.



Measure and control concrete cover c
 $c_{drill} = c + \phi / 2$
Drill parallel to surface edge and to existing rebar
Where applicable use fischer drilling aid.



For holes $l_v > 20$ cm use drilling aid.
Three different options can be considered:

- A) fischer drilling aid
- B) Slat or spirit level
- C) Visual check

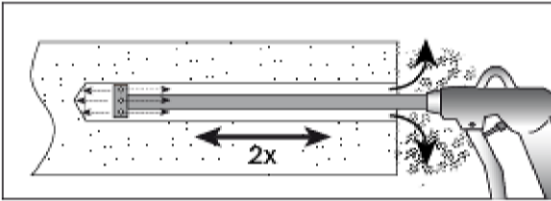
Rebar connection with fischer Superbond

Intended use
Installation instruction part 1

Annex B 6

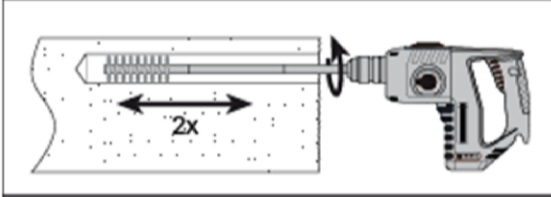
Appendix 13 / 18

2.1 Compressed air cleaning



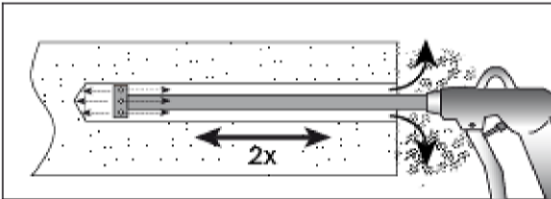
Blowing

two times from the back of the hole with oil-free compressed air (min. 6 bar) until return air stream is free of noticeable dust.



Brushing (with power drill)

two times with the specified brush size (brush diameter >: borehole diameter) by inserting the round steel brush to the back of the hole in a twisting motion. The brush shall produce natural resistance as it enters the anchor hole. If this is not the case, please use a new brush or a brush with a larger diameter. For appropriate brushes see Table B4.



Blowing

two times from the back of the hole with oil-free compressed air (min. 6 bar) until return air stream is free of noticeable dust.

2.2 Manual Cleaning:

Manual cleaning is permitted for hammer drilled boreholes up to hole diameters $d_0 \leq 18$ mm and depths l_v resp. $l_{e,ges} \leq 160$ mm

| | |
|--|---|
| | <p>Blowing two strokes with fischer blow up pump from the back of the hole until return air stream is free of noticeable dust</p> |
| | <p>Brushing two times with the specified brush size (brush diameter borehole diameter d_0) by inserting the round steel wire brush to the back of the hole with a twisting motion. The brush shall produce natural resistance as it enters the anchor hole. If this is not the case, please use a new brush or a brush with a larger diameter. For appropriate brushes see Table B4</p> |
| | <p>Blowing two strokes with fischer blow-out pump from the back of the hole until return air stream is free of noticeable dust</p> |
| | <p>Manual cleaning : fischer hand pump recommended for blowing out bore holes with diameters $d_0 \leq 18$ mm and bore hole depth l_v respectively $l_{e,ges} \leq 160$ mm</p> |

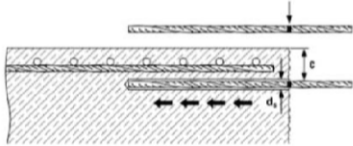
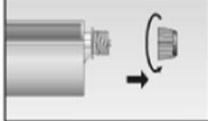
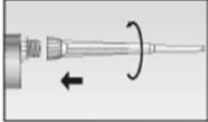


Rebar connection with fischer Superbond

Intended use
Installation instruction part 2

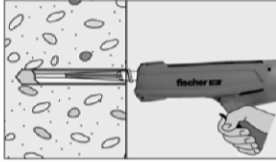

Annex B 7

Appendix 14 / 18

3. Rebar preparation and cartridge preparation

| | |
|---|--|
|  | <p>Before use, make asure that the rebar is dry and free of oil or other residue. Mark the embedment depth on the rebar (e.g. with tape) l_v Insert rebar in borehole, to verify hole and setting depth l_v resp. $l_{e,ges}$</p> |
| <p>Injection system preparation</p> | |
|  | <p>No. 1: Twist off the sealing cap</p> |
|  | <p>No. 2: Twist on the static mixer (the spiral in the static mixer must be clearly visible).</p> |
|  | <p>No. 3: Place the cartridge into a suitable dispenser.</p> |
|  | <p>No. 4: Press approximate 10 cm of material out until the resin is evenly grey in colour. Don` t use mortar that is not uniformly grey.</p> |

4. Inject mortar into borehole 4.1 borehole depth ≤ 250 mm:

| | |
|---|---|
|  | <p>Inject the mortar from the back of the hole towards the front and slowly withdraw the mixing nozzle step by step after each trigger pull. Fill holes approximately 2/3 full, or as required to ensure that the annular gap between the rebar and the concrete is completely filled with adhesive over the embedment length.</p> |
|  | <p>After injecting, depressurize the dispenser by pressing the release trigger. This will prevent further mortar discharge from the mixing nozzle.</p> |

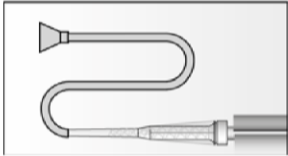
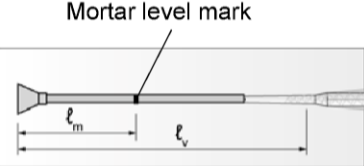
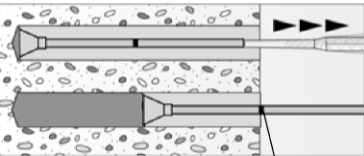

Rebar connection with fischer Superbond

Intended use
 Installation instruction part 3

Annex B 8

Appendix 15 / 18

4.2 borehole depth > 250 mm:

| | |
|--|--|
|  | <p>Assemble mixing nozzle FIS MR or FIS UMR, extension tube and injection adapter (see Table B 4)</p> |
|  <p>Mortar level mark</p> | <p>Mark the required mortar level ℓ_m and embedment depth ℓ_v resp. $\ell_{e,ges}$ with tape or marker on the injection extension tube.</p> <p>a) Estimation:</p> $l_m = \frac{1}{3} * l_v \text{ resp. } l_m = \frac{1}{3} * l_{e,ges}$ <p>b) Precise formula for optimum mortar volume:</p> $l_m = l_v \text{ resp. } l_{e,ges} \left((1,2 * \frac{d_s^2}{d_0^2} - 0,2) \right) [\text{mm}]$ |
|  <p>Mortar level mark</p> | <p>Insert injection adapter to back of the hole. Begin injection allowing the pressure of the injected adhesive mortar to push the injection adapter towards the front of the hole.</p> <p>Fill holes approximately 2/3 full, or as required to ensure that the annular gap between the rebar and the concrete is completely filled with adhesive over the embedment length.</p> <p>When using an injection adapter continue injection until the mortar level mark ℓ_m becomes visible.</p> <p>Maximum embedment depth see Table B 2</p> |
|  | <p>After injecting, depressurize the dispenser by pressing the release trigger. This will prevent further mortar discharge from the mixing nozzle.</p> |

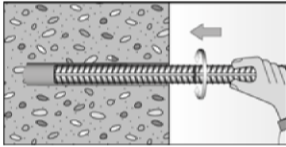
Rebar connection with fischer Superbond

Intended use
Installation instruction part 4

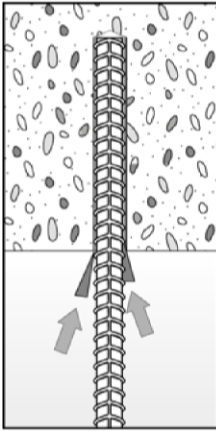
Annex B 9

Appendix 16 / 18

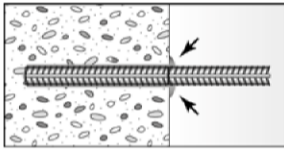
4.3 Insert rebar



For each installation insert the rebar slowly twisted into the borehole until the embedment mark is at the concrete surface level.



Support the rebar and secure it from falling till mortar started to harden, e.g. using wedges.



After installing the rebar the annular gap must be completely filled with mortar.

Proper installation

- Desired anchoring embedment is reached l_v : embedment mark at concrete surface.
- Excess mortar flows out of the borehole after the rebar has been fully inserted until the embedment mark.



Observe the working time " t_{work} " (see Table B3), which varies according to temperature of base material. Minor adjustments to the rebar position may be performed during the working time

Full load may be applied only after the curing time " t_{cure} " has elapsed (see Table B 3)

Rebar connection with fischer Superbond

Intended use
Installation instruction part 5

Annex B 10

Appendix 17 / 18

Minimum anchorage length and minimum lap length

The minimum anchorage length $\ell_{b,min}$ and the minimum lap length $\ell_{o,min}$ according to EN 1992-1-1:2004+AC:2010 ($\ell_{b,min}$ acc. to Eq. 8.6 and Eq. 8.7 and $\ell_{o,min}$ acc. to Eq. 8.11) shall be multiply by a factor according to Table C1.

Table C1: Factor related to concrete class and drilling method

| Concrete class | Drilling method | Factor |
|------------------|---|--------|
| C12/15 to C50/60 | Hammer drilling and compressed air drilling | 1,0 |

Table C2: Design values of the ultimate bond resistance f_{bd} in N/mm² for hammer drilling and compressed air drilling

According to EN 1992-1-1: 2004+AC:2010 for good bonds conditions (for all other bond conditions multiply the values by 0,7)

| Rebar ϕ [mm] | Bond resistance f_{bd} [N/mm ²] | | | | | | | | |
|----------------------|---|--------|--------|--------|--------|--------|--------|--------|--------|
| | Concrete class | | | | | | | | |
| | C12/15 | C16/20 | C20/25 | C25/30 | C30/37 | C35/45 | C40/50 | C45/55 | C50/60 |
| 8 to 32 | 1,6 | 2,0 | 2,3 | 2,7 | 3,0 | 3,4 | 3,7 | 4,0 | 4,3 |

Rebar connection with fischer Superbond

Performances

Minimum anchorage length and minimum lap length
Design values of ultimate bond resistance f_{bd}

Annex C 1

Appendix 18 / 18