

DECLARAȚIA DE PERFORMANȚĂ

DoP 0218

pentru sistem de injecție fischer FIS EM Plus (Ancore din metal pentru utilizare în beton)

RO

- Cod unic de identificare al produsului-tip: **DoP 0218**
- Utilizare (utilizări) preconizată (preconizate): **Prindere cu instalare ulterioară în beton fisurat sau nefisurat, Consultați suplimentul, în special anexele B1- B13.**
- Fabricant: **fischerwerke GmbH & Co. KG, Otto-Hahn-Straße 15, 79211 Denzlingen, Germany**
- Reprezentant autorizat: **-**
- Sistemul (sistemele) de evaluare și de verificare a constantei performanței: **1**
- Documentul de evaluare european: **EAD 330499-01-0601**
Evaluarea tehnică europeană: **ETA-17/0979; 2020-06-17**
Organismul de evaluare tehnică: **DIBt- Deutsches Institut für Bautechnik**
Organism (organisme) notificat(e): **2873 TU Darmstadt**

7. Performanța (performanțe) declarată (declarate):

Rezistență mecanică și stabilitate (BWR 1)

Rezistența caracteristică la întindere (pentru încărcări statice și cvasistatice):

- Rezistența la cedarea oțelului: Anexele C1- C3
- Rezistența în ipoteza cedării conului de beton combinată cu smulgerea ancorei: Anexele C5- C12
- Rezistența la cedarea conului de beton: Anexele C4
- Distanța față de margine pentru a preveni fisuri sub încărcare: Anexele C4
- Robustețe: Anexele C4
- Momentul maxim de strângere: Anexele B6- B8
- Distanța minimă față de margine și între ancore: Anexele B4, B5

$E_s = 210\,000\text{ MPa}$
 $\psi_{sus} = \text{NPD}$

Rezistența caracteristică la forfecare (pentru încărcări statice și cvasistatice):

- Rezistența la cedarea oțelului: Anexele C1- C3
- Rezistența la cedarea cu braț de levier: Anexele C4
- Rezistența la cedarea muchiei betonului: Anexele C4

Deplasări în condiții de încărcare pe termen scurt și pe termen lung:

- Deplasări în condiții de încărcare pe termen scurt și pe termen lung:

Rezistență caracteristică și Deplasări pentru performanță seismică de categoriile C1 și C2:

- Rezistența la întindere, deplasări, categoria C1: Anexele C15- C17
- Rezistența la întindere, deplasări, categoria C2: Anexele C15, C16, C18
- Rezistența la forfecare, deplasări, categoria C1: Anexele C15- C17
- Rezistența la forfecare, deplasări, categoria C2: Anexele C15, C16, C18
- Factor gol circular: Anexele C15

Igienă, sănătate și mediu (BWR 3)

- Conținutul, emisia și / sau eliberarea de substanțe periculoase: NPD

8. Documentație tehnică adecvată și/sau documentație tehnică specifică: **-**

Performanța produsului identificat mai sus este în conformitate cu setul de performanțe declarate. Această declarație de performanță este eliberată în conformitate cu Regulamentul (UE) nr. 305/2011, pe răspunderea exclusivă a fabricantului identificat mai sus.

Semnata pentru și în numele fabricantului de către:



Dr.-Ing. Oliver Geibig, Director Executiv Departament Business & Inginerie
Tumlingen, 2021-04-05



Jürgen Grün, Director Executiv Departament Chimic & Calitate

Această declarație de performanță a fost întocmită în mai multe limbi. În cazul unei divergențe de interpretare, versiunea în limba engleză prevalează întotdeauna.

Suplimentul include informații voluntare și complementare în limba engleză, în afara cerințelor legale (specificate neutru din punct de vedere al limbii).

Specific Part

1 Technical description of the product

The "fischer injection system FIS EM Plus" is a bonded fastener consisting of a cartridge with injection mortar fischer FIS EM Plus and a steel element according to Annex A5.

The steel element is placed into a drilled hole filled with injection mortar and is anchored via the bond between metal part, injection mortar and concrete.

The product description is given in Annex A.

2 Specification of the intended use in accordance with the applicable European Assessment Document

The performances given in Section 3 are only valid if the anchor is used in compliance with the specifications and conditions given in Annex B.

The verifications and assessment methods on which this European Technical Assessment is based lead to the assumption of a working life of the anchor of at least 50 or 100 years. The indications given on the working life cannot be interpreted as a guarantee given by the producer, but are to be regarded only as a means for choosing the right products in relation to the expected economically reasonable working life of the works.

3 Performance of the product and references to the methods used for its assessment

3.1 Mechanical resistance and stability (BWR 1)

Essential characteristic	Performance
Characteristic resistance to tension load (static and quasi-static loading)	See Annex B 3 to B 8, C 1 to C 12
Characteristic resistance to shear load (static and quasi-static loading)	See Annex C 1 to C 4
Displacements under short-term and long-term loading	See Annex C 13 and C 14
Characteristic resistance and displacements for seismic performance categories C1 and C2	See Annex C 15 to C 18

3.2 Hygiene, health and the environment (BWR 3)

Essential characteristic	Performance
Content, emission and/or release of dangerous substances	No performance assessed

4 Assessment and verification of constancy of performance (AVCP) system applied, with reference to its legal base

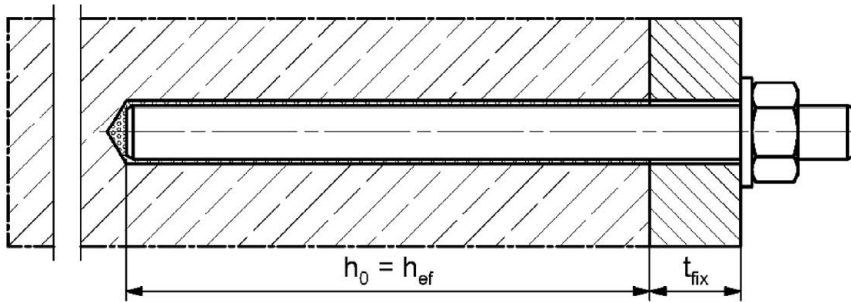
In accordance with the European Assessment Document EAD 330499-01-0601 the applicable European legal act is: [96/582/EC].

The system to be applied is: 1

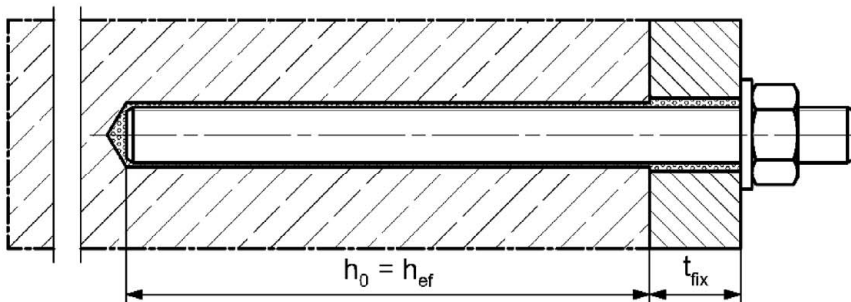
Installation conditions part 1

fischer anchor rod

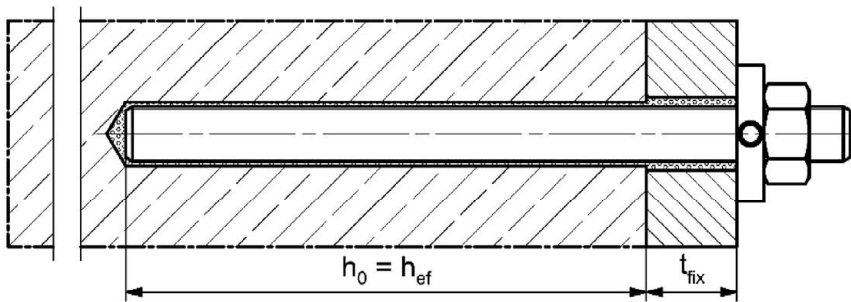
Pre-positioned installation



Push through installation (annular gap filled with mortar)



Pre-positioned or push through installation with subsequently injected fischer filling disc (annular gap filled with mortar)



Figures not to scale

h_0 = drill hole depth

h_{ef} = effective embedment depth

t_{fix} = thickness of fixture

fischer injection system FIS EM Plus

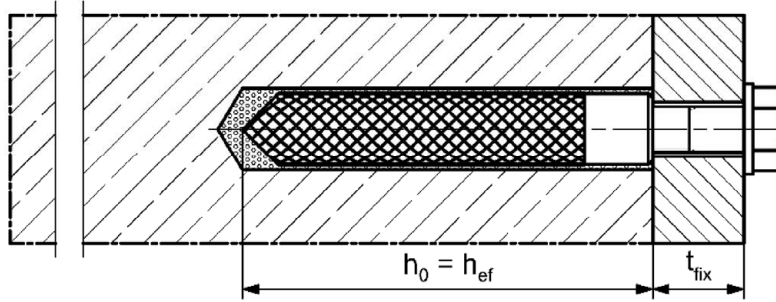
Product description
Installation conditions part 1

Annex A 1
Appendix 3/ 39

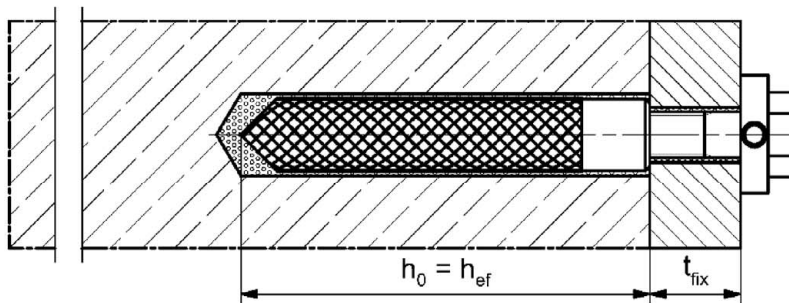
Installation conditions part 2

fischer internal threaded anchor RG MI

Pre-positioned installation



Pre-positioned installation with subsequently injected fischer filling disc (annular gap filled with mortar)



Figures not to scale

h_0 = drill hole depth

h_{ef} = effective embedment depth

t_{fix} = thickness of fixture

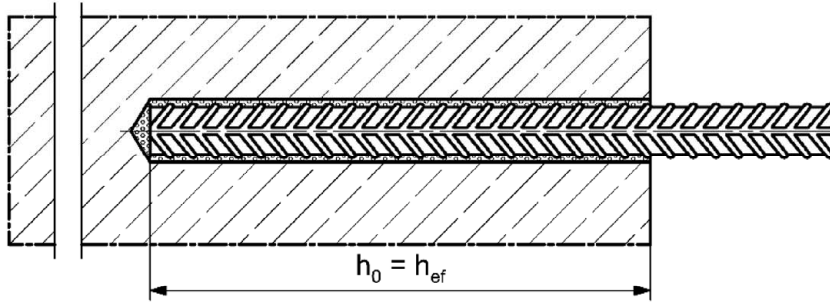
fischer injection system FIS EM Plus

Product description
Installation conditions part 2

Annex A 2
Appendix 4/ 39

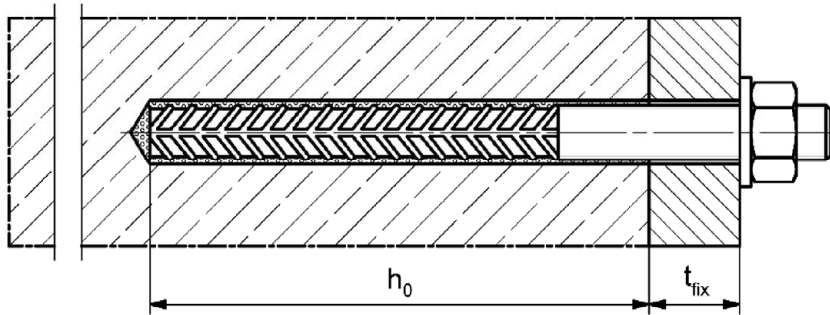
Installation conditions part 3

Reinforcing bar

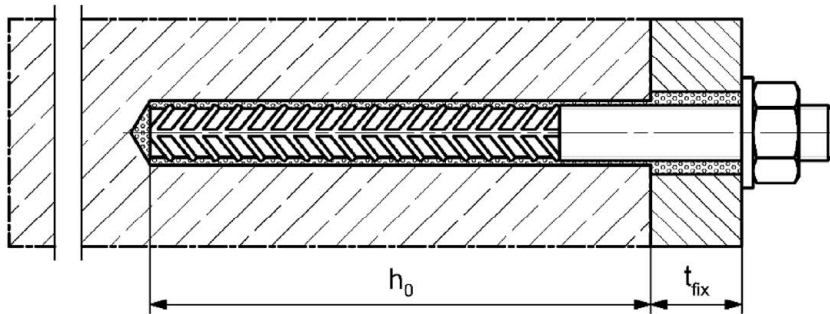


fischer rebar anchor FRA

Pre-positioned installation



Push through installation (annular gap filled with mortar)



Figures not to scale

h_0 = drill hole depth

h_{ef} = effective embedment depth

t_{fix} = thickness of fixture

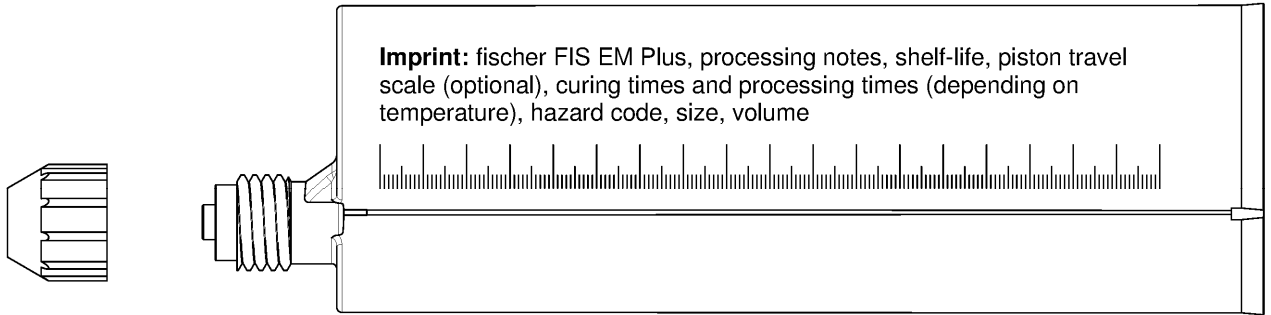
fischer injection system FIS EM Plus

Product description
Installation conditions part 3

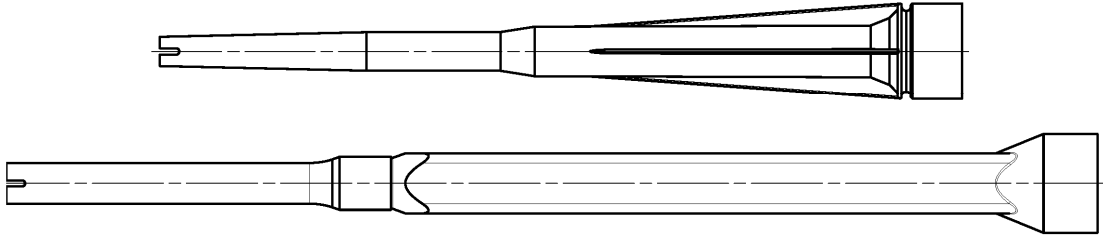
Annex A 3
Appendix 5/ 39

Overview system components part 1

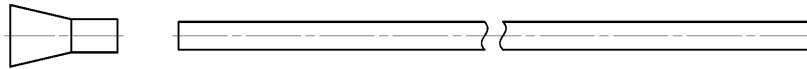
Injection cartridge (shuttle cartridge) with sealing cap; Size: 390 ml, 585 ml, 1100 ml, 1500 ml



Static mixer FIS MR Plus or UMR



Injection adapter and Extension tube for static mixer



Cleaning brush BS / BSB



Blow-out pump ABP



Figures not to scale

fischer injection system FIS EM Plus

Product description

Overview system components part 1;
cartridges / static mixer / accessories

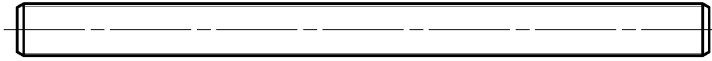
Annex A 4

Appendix 6/ 39

Overview system components part 2

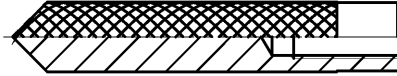
fischer anchor rod

Size: M8, M10, M12, M14, M16, M20, M22, M24, M27, M30

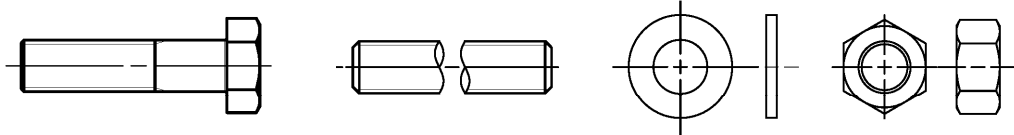


fischer internal threaded anchor RG MI

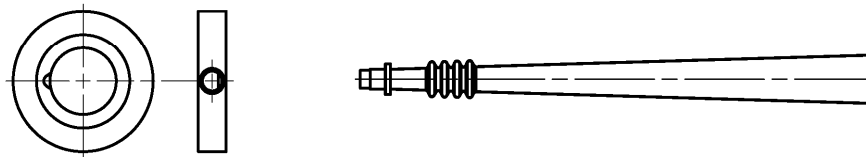
Size: M8, M10, M12, M16, M20



Screw / threaded rod / washer / hexagon nut



fischer filling disc with injection adapter



Reinforcing bar

Nominal diameter: $\phi 8$, $\phi 10$, $\phi 12$, $\phi 14$, $\phi 16$, $\phi 18$, $\phi 20$, $\phi 22$, $\phi 24$, $\phi 25$, $\phi 26$, $\phi 28$, $\phi 30$, $\phi 32$, $\phi 34$, $\phi 36$, $\phi 40$



fischer rebar anchor FRA

Size: M12, M16, M20, M24



Figures not to scale

fischer injection system FIS EM Plus

Product description

Overview system components part 2;
steel components

Annex A 5
Appendix 7/ 39

Table A6.1: Materials

Part	Designation	Material		
1	Injection cartridge	Mortar, hardener, filler		
	Steel grade	Steel	Stainless steel R	High corrosion resistant steel HCR
		zinc plated	acc. to EN 10088-1:2014 Corrosion resistance class CRC III acc. to EN 1993-1-4:2015	acc. to EN 10088-1:2014 Corrosion resistance class CRC V acc. to EN 1993-1-4:2015
2	Anchor rod	Property class 4.8, 5.8 or 8.8; EN ISO 898-1:2013 zinc plated $\geq 5 \mu\text{m}$, ISO 4042:2018/Zn5/An(A2K) or hot dip galvanised $\geq 40 \mu\text{m}$ EN ISO 10684:2004 $f_{uk} \leq 1000 \text{ N/mm}^2$ $A_5 > 12\%$ fracture elongation	Property class 50, 70 or 80 EN ISO 3506-1:2009 1.4401; 1.4404; 1.4578; 1.4571; 1.4439; 1.4362; 1.4062, 1.4662, 1.4462; EN 10088-1:2014 $f_{uk} \leq 1000 \text{ N/mm}^2$ $A_5 > 12\%$ fracture elongation	Property class 50 or 80 EN ISO 3506-1:2009 or property class 70 with $f_{yk} = 560 \text{ N/mm}^2$ 1.4565; 1.4529; EN 10088-1:2014 $f_{uk} \leq 1000 \text{ N/mm}^2$ $A_5 > 12\%$ fracture elongation
		Fracture elongation $A_5 > 8 \%$, for applications without requirements for seismic performance category C2		
3	Washer ISO 7089:2000	zinc plated $\geq 5 \mu\text{m}$, ISO 4042:2018/Zn5/An(A2K) or hot dip galvanised $\geq 40 \mu\text{m}$ EN ISO 10684:2004	1.4401; 1.4404; 1.4578; 1.4571; 1.4439; 1.4362; EN 10088-1:2014	1.4565; 1.4529; EN 10088-1:2014
4	Hexagon nut	Property class 4, 5 or 8; EN ISO 898-2:2012 zinc plated $\geq 5 \mu\text{m}$, ISO 4042:2018/Zn5/An(A2K) or hot dip galvanised $\geq 40 \mu\text{m}$ EN ISO 10684:2004	Property class 50, 70 or 80 EN ISO 3506-1:2009 1.4401; 1.4404; 1.4578; 1.4571; 1.4439; 1.4362; EN 10088-1:2014	Property class 50, 70 or 80 EN ISO 3506-1:2009 1.4565; 1.4529 EN 10088-1:2014
5	fischer internal threaded anchor RG MI	Property class 5.8 ISO 898-1:2013 zinc plated $\geq 5 \mu\text{m}$, ISO 4042:2018/Zn5/An(A2K)	Property class 70 EN ISO 3506-1:2009 1.4401; 1.4404; 1.4578; 1.4571; 1.4439; 1.4362; EN 10088-1:2014	Property class 70 EN ISO 3506-1:2009 1.4565; 1.4529; EN 10088-1:2014
6	Commercial standard screw or threaded rod for fischer internal threaded anchor RG MI	Property class 5.8 or 8.8; EN ISO 898-1:2013 zinc plated $\geq 5 \mu\text{m}$, ISO 4042:2018/Zn5/An(A2K) $A_5 > 8 \%$ fracture elongation	Property class 70 EN ISO 3506-1:2009 1.4401; 1.4404; 1.4578; 1.4571; 1.4439; 1.4362; EN 10088-1:2014 $A_5 > 8 \%$ fracture elongation	Property class 70 EN ISO 3506-1:2009 1.4565; 1.4529; EN 10088-1:2014 $A_5 > 8 \%$ fracture elongation
7	fischer filling disc similar to DIN 6319-G	zinc plated $\geq 5 \mu\text{m}$, ISO 4042:2018/Zn5/An(A2K) or hot dip galvanised $\geq 40 \mu\text{m}$ EN ISO 10684:2004	1.4401; 1.4404; 1.4578; 1.4571; 1.4439; 1.4362; EN 10088-1:2014	1.4565; 1.4529; EN 10088-1:2014
8	Reinforcing bar EN 1992-1-1:2004 and AC:2010, Annex C	Bars and de-coiled rods, class B or C with f_{yk} and k according to NDP or NCL according to EN 1992-1-1/NA $f_{uk} = f_{tk} = k \cdot f_{yk}$		
9	fischer rebar anchor FRA	Rebar part: Bars and de-coiled rods class B or C with f_{yk} and k according to NDP or NCL of EN 1992-1-1:2004+AC:2010 $f_{uk} = f_{tk} = k \cdot f_{yk}$	Threaded part: Property class 70 or 80 EN ISO 3506-1:2009 1.4401, 1.4404, 1.4571, 1.4578, 1.4439, 1.4362, 1.4062 acc. to EN 10088-1:2014 Corrosion resistance class CRC III acc. to EN 1993-1-4:2015 1.4565; 1.4529 acc. to EN 10088-1:2014 Corrosion resistance class CRC V acc. to EN 1993-1-4:2015	

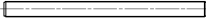






fischer injection system FIS EM Plus

Product description
Materials

Annex A 6
Appendix 8/ 39

Specifications of intended use (part 1)

Table B1.1: Overview use and performance categories

Anchorages subject to		FIS EM Plus with ...							
		Anchor rod 	fischer internal threaded anchor RG MI 	Reinforcing bar 	fischer rebar anchor FRA 				
Hammer drilling with standard drill bit 		all sizes							
Hammer drilling with hollow drill bit (fischer "FHD", Heller "Duster Expert"; Bosch „Speed Clean“; Hilti "TE-CD, TE-YD", DreBo „D-Plus“, DreBo „D-Max“) 		Nominal drill bit diameter (d_0) 12 mm to 35 mm							
Diamond drilling 		all sizes							
Static and quasi static load, in	uncracked concrete	all sizes	Tables: C1.1 C4.1 C5.1 C6.1 C13.1	all sizes	Tables: C2.1 C4.1 C7.1 C8.1 C13.2	all sizes	Tables: C3.1 C4.1 C9.1 C10.1 C14.1	all sizes	Tables: C3.2 C4.1 C11.1 C12.1 C14.2
	cracked concrete								
Seismic performance category (only hammer drilling with standard / hollow drill bits)	C1	M10 to M30	Tables: C15.1 C16.2 C17.1	-1)	$\phi 10$ to $\phi 32$	Tables: C16.1 C16.2 C17.2	-1)		
	C2	M12 M16 M20 M24	Tables: C15.1 C16.2 C18.1						
Use category	I1	dry or wet concrete	all sizes						
	I2	water filled hole	all sizes (not permitted in combined with working life 100 years)						
Installation direction	D3 (downward and horizontal and upwards (e.g. overhead) installation)								
Installation temperature	$T_{i,min} = -5 \text{ °C}$ to $T_{i,max} = +40 \text{ °C}$								
In-service temperature	Temperature range I	-40 °C to +60 °C		(max. short term temperature +60 °C; max. long term temperature +35 °C)					
	Temperature range II	-40 °C to +72 °C		(max. short term temperature +72 °C; max. long term temperature +50 °C)					
1) no performance assessed									

fischer injection system FIS EM Plus

Intended use
Specifications (part 1)

Annex B 1
Appendix 9/ 39

Specifications of intended use (part 2)

Base materials:

- Compacted reinforced or unreinforced normal weight concrete without fibres of strength classes C20/25 to C50/60 according to EN 206:2013+A1:2016

Use conditions (Environmental conditions):

- Structures subject to dry internal conditions (zinc coated steel, stainless steel or high corrosion resistant steel).
- For all other conditions according to EN1993-1-4:2015 corresponding to corrosion resistance classes to Annex A 6 table A6.1.

Design:

- Anchorages have to be designed by a responsible engineer with experience of concrete anchor design.
- Verifiable calculation notes and drawings are to be prepared taking account of the loads to be anchored. The position of the anchor is indicated on the design drawings (e. g. position of the anchor relative to reinforcement or to supports, etc.).
- Anchorages are designed in accordance with:
EN 1992-4:2018 and EOTA Technical Report TR 055, Edition February 2018

Installation:

- Anchor installation is to be carried out by appropriately qualified personnel and under the supervision of the person responsible for technical matters of the site
- In case of aborted hole: The hole shall be filled with mortar
- Anchorage depth should be marked and adhered to on installation
- Overhead installation is allowed

fischer injection system FIS EM Plus

Intended use
Specifications (part 2)

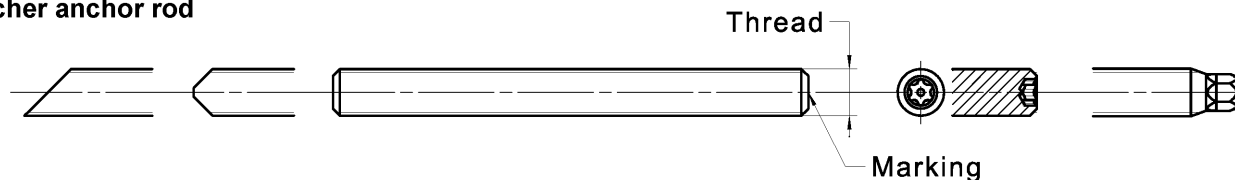
Annex B 2
Appendix 10/ 39

Table B3.1: Installation parameters for anchor rods

Anchor rods		Thread	M8	M10	M12	M14	M16	M20	M22	M24	M27	M30
Width across flats	SW	[mm]	13	17	19	22	24	30	32	36	41	46
Nominal drill hole diameter	d_0		10	12	14	16	18	22 24 ¹⁾	25	28	30	35
Drill hole depth	h_0		$h_0 = h_{ef}$									
Effective embedment depth	$h_{ef, min}$		60	60	70	75	80	90	93	96	108	120
	$h_{ef, max}$		160	200	240	280	320	400	440	480	540	600
Diameter of the clearance hole of the fixture	pre-positioned installation d_f		9	12	14	16	18	22	24	26	30	33
	push through installation d_f		12	14	16	18	20	26	28	30	33	40
Minimum thickness of concrete member	h_{min}	$h_{ef} + 30$ (≥ 100)				$h_{ef} + 2d_0$						
Maximum installation torque	$\max T_{inst}$	[Nm]	10	20	40	50	60	120	135	150	200	300

¹⁾ Both drill hole diameters can be used

fischer anchor rod



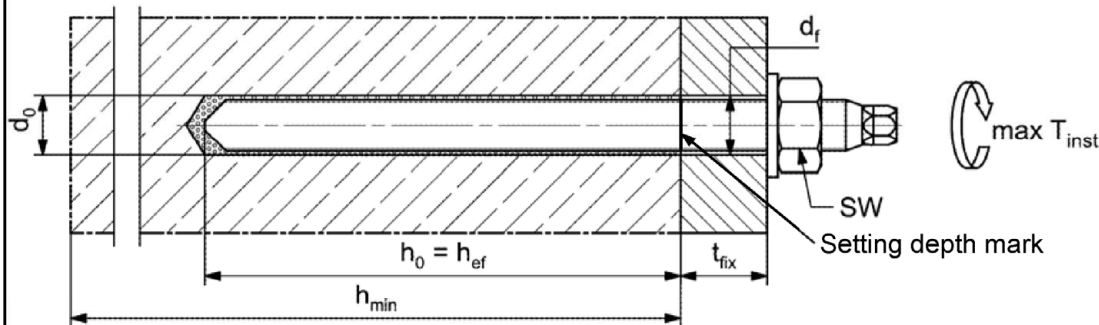
Marking (on random place) fischer anchor rod:

Steel zinc plated PC ¹⁾ 8.8	• or +	Steel hot-dip PC ¹⁾ 8.8	•
High corrosion resistant steel HCR PC ¹⁾ 50	•	High corrosion resistant steel HCR PC ¹⁾ 70	-
High corrosion resistant steel HCR PC ¹⁾ 80	(Stainless steel R property class 50	~
Stainless steel R property class 80	*		

Alternatively: Colour coding according to DIN 976-1:2016

¹⁾ PC = property class

Installation conditions:



Commercial standard threaded rods, washers and hexagon nuts may also be used if the following requirements are fulfilled

- Materials, dimensions and mechanical properties according to Annex A 6, Table A6.1
- Inspection certificate 3.1 according to EN 10204:2004, the documents have to be stored
- Setting depth is marked

Figures not to scale

fischer injection system FIS EM Plus

Intended use

Installation parameters anchor rods

Annex B 3

Appendix 11/ 39

Table B4.1: Minimum spacing and minimum edge distance for **anchor rods** and **reinforcing bars**

Anchor rods		M8	M10	M12	M14	M16	-	M20	M22	M24
Reinforcing bars (nominal diameter) ϕ		8	10	12	14	16	18	20	22	24
Minimum edge distance										
Uncracked / cracked concrete	c_{min}	[mm]	40	45	45	45	50	55	55	60
Minimum spacing	s_{min}		according to Annex B5							
Minimum spacing										
Uncracked / cracked concrete	s_{min}	[mm]	40	45	55	60	65	85	85	105
Minimum edge distance	c_{min}		according to Annex B5							
Required projecting area										
Uncracked concrete	$A_{sp,req}$	[1000 mm ²]	8	13	22	23	24	38,5	38,5	40
Cracked concrete			6,5	10	16,5	17,5	18,5	29,5	29,5	30,5
Anchor rods										
Anchor rods		-	-	M27	-	M30	-	-	-	-
Reinforcing bars (nominal diameter) ϕ		25	26	-	28	30	32	34	36	40
Minimum edge distance										
Uncracked / cracked concrete	c_{min}	[mm]	75	75	75	80	80	120	120	175
Minimum spacing	s_{min}		according to Annex B5							
Minimum spacing										
Uncracked / cracked concrete	s_{min}	[mm]	120	120	120	140	140	160	160	160
Minimum edge distance	c_{min}		according to Annex B5							
Required projecting area										
Uncracked concrete	$A_{sp,req}$	[1000 mm ²]	47,5	47,5	47,5	64	64	64	64	64
Cracked concrete			36,5	36,5	36,5	49	49	49	49	49

Splitting failure for minimum edge distance and spacing in dependence of the effective embedment depth h_{ef} .

For the calculation of minimum spacing and minimum edge distance of anchors in combination with different embedment depths and thicknesses of concrete members the following equation shall be fulfilled:

$$A_{sp,req} < A_{sp,t}$$

$A_{sp,req}$ = required projecting area

$A_{sp,t} = A_{sp,ef}$ = effective projecting area (according to Annex B5)

fischer injection system FIS EM Plus

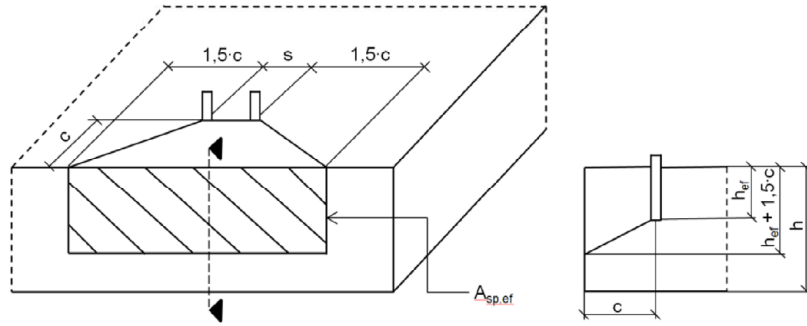
Intended use

Minimum spacing and edge distance for anchor rods and reinforcing bars

Annex B 4

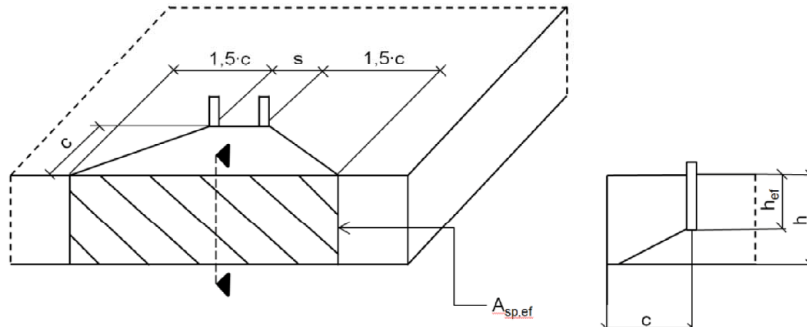
Appendix 12/ 39

Table B5.1: Effective projecting area $A_{sp,t}$ with concrete member thickness $h > h_{ef} + 1,5 \cdot c$ and $h \geq h_{min}$



Single anchor	$A_{sp,t} = (3 \cdot c) \cdot (h_{ef} + 1,5 \cdot c)$	[mm ²]	with $c \geq c_{min}$
Group of anchors with $s > 3 \cdot c$	$A_{sp,t} = (6 \cdot c) \cdot (h_{ef} + 1,5 \cdot c)$	[mm ²]	
Group of anchors with $s \leq 3 \cdot c$	$A_{sp,t} = (3 \cdot c + s) \cdot (h_{ef} + 1,5 \cdot c)$	[mm ²]	with $c \geq c_{min}$ and $s \geq s_{min}$

Table B5.2: Effektive projecting area $A_{sp,t}$ with concrete member thickness $h \leq h_{ef} + 1,5 \cdot c$ and $h \geq h_{min}$



Single anchor	$A_{sp,t} = 3 \cdot c \cdot \text{existing } h$	[mm ²]	with $c \geq c_{min}$
Group of anchors with $s > 3 \cdot c$	$A_{sp,t} = 6 \cdot c \cdot \text{existing } h$	[mm ²]	
Group of anchors with $s \leq 3 \cdot c$	$A_{sp,t} = (3 \cdot c + s) \cdot \text{existing } h$	[mm ²]	with $c \geq c_{min}$ and $s \geq s_{min}$

Edge distance and axial spacing shall be rounded up to at least 5 mm

Figures not to scale

fischer injection system FIS EM Plus

Intended use

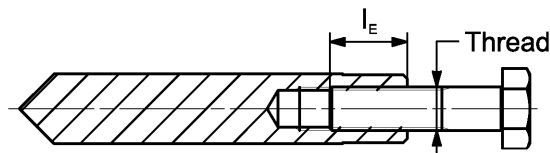
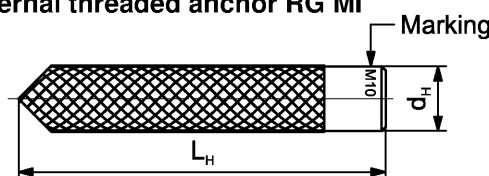
Minimum thickness of concrete member for anchor rods,
minimum spacing and edge distance

Annex B 5
Appendix 13/ 39

Table B6.1: Installation parameters for **fischer internal threaded anchors RG MI**

Internal threaded anchors RG MI		Thread	M8	M10	M12	M16	M20
Diameter of anchor	$d_{nom} = d_H$	[mm]	12	16	18	22	28
Nominal drill hole diameter	d_0		14	18	20	24	32
Drill hole depth	h_0		$h_0 = h_{ef} = L_H$				
Effective embedment depth ($h_{ef} = L_H$)	h_{ef}		90	90	125	160	200
Minimum spacing and minimum edge distance	$S_{min} = C_{min}$		55	65	75	95	125
Diameter of clearance hole in the fixture	d_f		9	12	14	18	22
Minimum thickness of concrete member	h_{min}		120	125	165	205	260
Maximum screw-in depth	$l_{E,max}$		18	23	26	35	45
Minimum screw-in depth	$l_{E,min}$		8	10	12	16	20
Maximum installation torque	$\max T_{inst}$		[Nm]	10	20	40	80

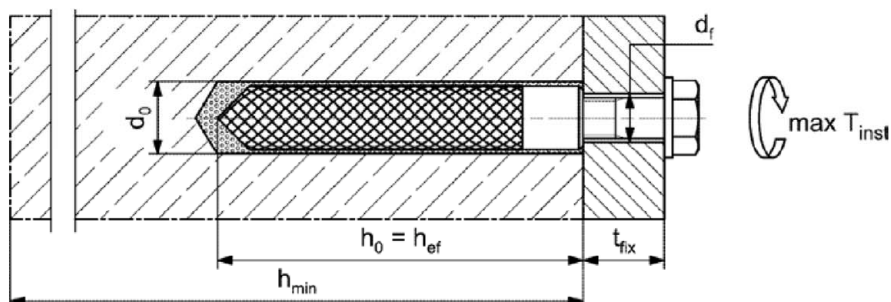
fischer internal threaded anchor RG MI



Marking: Anchor size e. g.: **M10**
 Stainless steel → additional **R**; e.g.: **M10 R**
 High corrosion resistant steel → additional **HCR**; e.g.: **M10 HCR**

Retaining bolt or threaded rods (including nut and washer) must comply with the appropriate material and strength class of Annex A 6, Table A6.1

Installation conditions:



Figures not to scale

fischer injection system FIS EM Plus

Intended use

Installation parameters internal threaded anchors RG MI

Annex B 6

Appendix 14/ 39

Table B7.1: Installation parameters for reinforcing bars ¹⁾

Nominal diameter of the bar		ϕ	8 ²⁾	10 ²⁾	12 ²⁾	14	16	18	20	22	24				
Nominal drill hole diameter	d_0	[mm]	10	12	12	14	14	16	18	20	25	25	30	30	
Drill hole depth	h_0		$h_0 = h_{ef}$												
Effective embedment depth	$h_{ef,min}$		60	60	70	75	80	85	90	94	98				
	$h_{ef,max}$		160	200	240	280	320	360	400	440	480				
Minimum thickness of concrete member	h_{min}		$h_{ef} + 30$ (≥ 100)				$h_{ef} + 2d_0$								

Nominal diameter of the bar		ϕ	25	26	28	30	32	34	36	40	-	
Nominal drill hole diameter	d_0	[mm]	30	35	35	40	40	40	45	55	-	
Drill hole depth	h_0		$h_0 = h_{ef}$									
Effective embedment depth	$h_{ef,min}$		100	104	112	120	128	136	144	160	-	
	$h_{ef,max}$		500	520	560	600	640	680	720	800	-	
Minimum thickness of concrete member	h_{min}		$h_{ef} + 2d_0$									

¹⁾ minimum spacing and minimum edge distance see Annex B 4

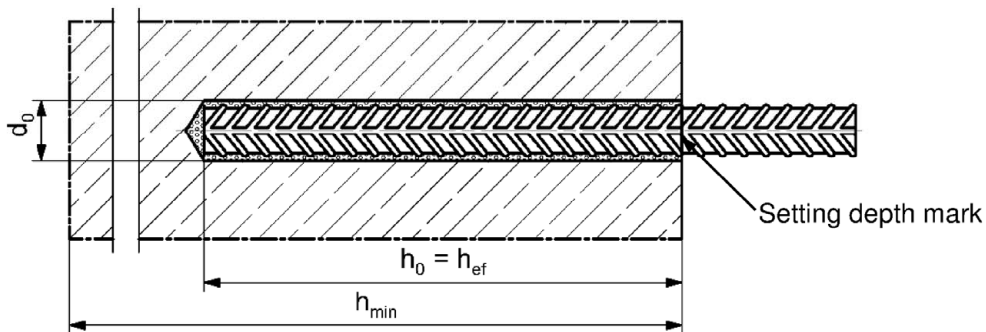
²⁾ Both drill hole diameters can be used

Reinforcing bar



- The minimum value of related rib area $f_{R,min}$ must fulfil the requirements of EN 1992-1-1:2004+AC:2010
- The rib height must be within the range: $0,05 \cdot \phi \leq h_{rib} \leq 0,07 \cdot \phi$
(ϕ = Nominal diameter of the bar, h_{rib} = rib height)

Installation conditions:



Figures not to scale

fischer injection system FIS EM Plus

Intended use
Installation parameters reinforcing bars

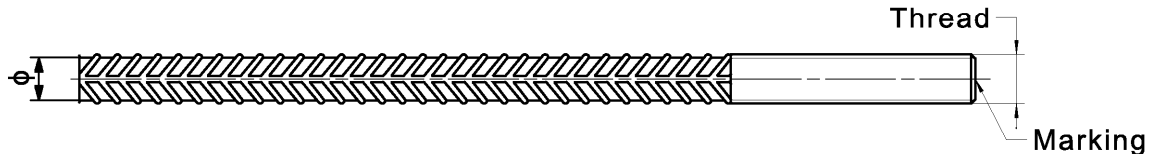
Annex B 7
Appendix 15/ 39



Table B8.1: Installation parameters for **fischer rebar anchor FRA**

Rebar anchor FRA		Thread	M12 ¹⁾	M16	M20	M24
Nominal diameter of the bar	ϕ	[mm]	12	16	20	25
Width across flats	SW		19	24	30	36
Nominal drill hole diameter	d_0		14	16	20	30
Drill hole depth	h_0		$h_{ef} + l_e$			
Effective embedment depth	$h_{ef,min}$		70	80	90	96
	$h_{ef,max}$		140	220	300	380
Distance concrete surface to welded joint	l_e		100			
Minimum spacing and minimum edge distance	s_{min} = c_{min}		55	65	85	105
	Diameter of pre-positioned anchorage		$\leq d_f$	14	18	22
Diameter of clearance hole in the fixture	push through anchorage		$\leq d_f$	18	22	26
	Minimum thickness of concrete member	h_{min}	$h_0 + 30$	$h_0 + 2d_0$		
Maximum installation torque	$\max T_{inst}$	[Nm]	40	60	120	150

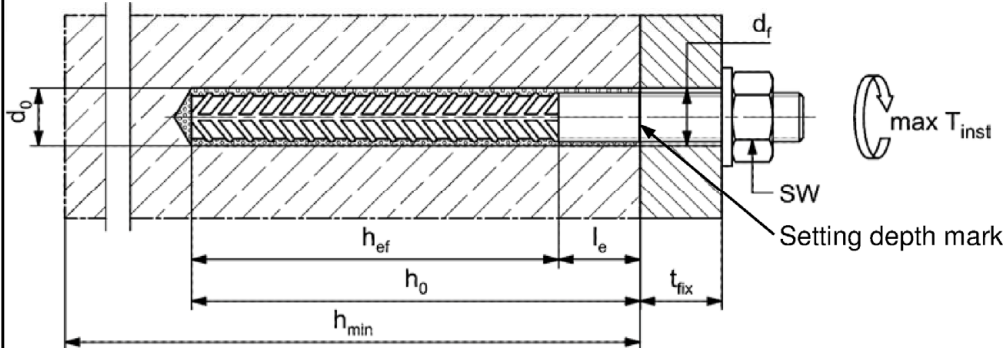
¹⁾ Both drill hole diameters can be used

fischer rebar anchor FRA



Marking frontal e. g:  FRA (for stainless steel);  FRA HCR (for high corrosion resistant steel)

Installation conditions:



Figures not to scale

fischer injection system FIS EM Plus

Intended use

Installation parameters rebar anchor FRA

Annex B 8

Appendix 16/ 39

Table B9.1: Parameters of the cleaning brush BS / BSB (steel brush with steel bristles)

The size of the cleaning brush refers to the drill hole diameter

Nominal drill hole diameter	d_0		10	12	14	16	18	20	24	25	28	30	32	35	40	45	55
Steel brush diameter BS	d_b	[mm]	11	14	16	20		25	26	27	30	40			-	-	-
Steel brush diameter BSB	d_b		-	-	-	-		-	-	-	-	-			42	47	58

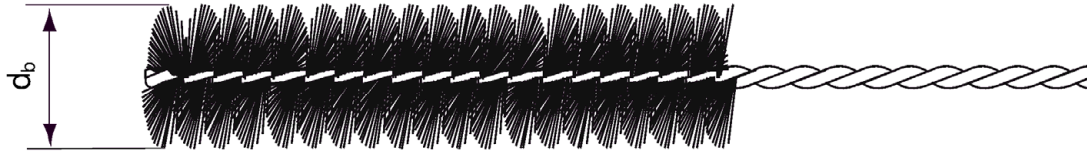


Table B9.2 Maximum processing time of the mortar and **minimum curing time** (During the curing time of the mortar the concrete temperature may not fall below the listed minimum temperature)

Temperature at anchoring base [°C]	Maximum processing time t_{work}	Minimum curing time ¹⁾ t_{cure}
-5 to 0 ²⁾	240 min	200 h
> 0 to 5 ²⁾	150 min	90 h
> 5 to 10	120 min	40 h
> 10 to 20	30 min	18 h
> 20 to 30	14 min	10 h
> 30 to 40	7 min	5 h

¹⁾ In wet concrete or water filled holes the curing times must be doubled

²⁾ Minimal cartridge temperature +5°C

fischer injection system FIS EM Plus

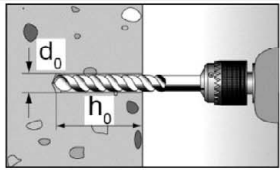
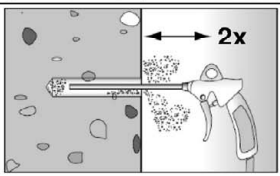

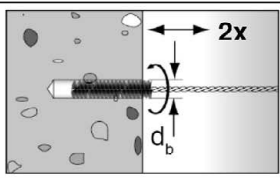
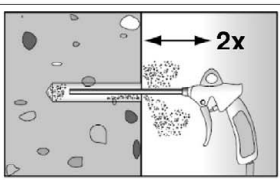

Intended use

Cleaning brush (steel brush)
Processing time and curing time

Annex B 9
Appendix 17/ 39


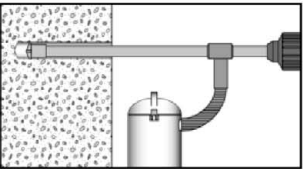
Installation instructions part 1

Drilling and cleaning the hole (hammer drilling with standard drill bit)

1		<p>Drill the hole. Nominal drill hole diameter d_0 and drill hole depth h_0 see tables B3.1, B6.1, B7.1, B8.1</p>
2		<p>Cleaning the drill hole: Blow out the drill hole twice, with oil free compressed air ($p \geq 6$ bar)</p> 
3		<p>Brush the drill hole twice. For drill hole diameter ≥ 30 mm use a power drill. For deep holes use an extension. Corresponding brushes see table B9.1</p>
4		<p>Cleaning the drill hole: Blow out the drill hole twice, with oil free compressed air ($p \geq 6$ bar)</p> 

Go to step 6

Drilling and cleaning the hole (hammer drilling with hollow drill bit)

1		<p>Check a suitable hollow drill (see table B1.1) for correct operation of the dust extraction</p>
2		<p>Use a suitable dust extraction system, e. g. fischer FVC 35 M or a comparable dust extraction system with equivalent performance data</p> <p>Drill the hole with hollow drill bit. The dust extraction system has to extract the drill dust nonstop during the drilling process and must be adjusted to maximum power. Nominal drill hole diameter d_0 and drill hole depth h_0 see tables B3.1, B6.1, B7.1, B8.1</p>

Go to step 6

fischer injection system FIS EM Plus

Intended use
Installation instructions part 1

Annex B 10
Appendix 18/ 39

Installation instructions part 2

Drilling and cleaning the hole (wet drilling with diamond drill bit)

1		<p>Drill the hole. Drill hole diameter d_0 and nominal drill hole depth h_0 see tables B3.1, B6.1, B7.1, B8.1</p>		<p>Break the drill core and remove it</p>
2		<p>Flush the drill hole with clean water until it flows clear</p>		
3		<p>Blow out the drill hole twice, using oil-free compressed air ($p > 6$ bar)</p>		
4		<p>Brush the drill hole twice using a power drill. Corresponding brushes see table B9.1</p>		
5		<p>Blow out the drill hole twice, using oil-free compressed air ($p > 6$ bar)</p>		

Preparing the cartridge

6		<p>Remove the sealing cap Screw on the static mixer (the spiral in the static mixer must be clearly visible)</p>		
7			<p>Place the cartridge into the dispenser</p>	
8			<p>Extrude approximately 10 cm of material out until the resin is evenly grey in colour. Do not use mortar that is not uniformly grey</p>	

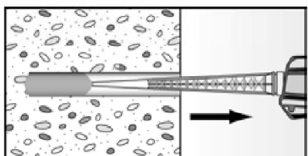
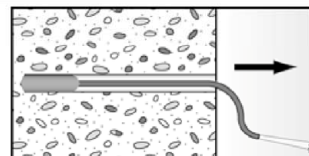
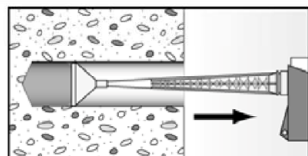
fischer injection system FIS EM Plus

Intended use
Installation instructions part 2

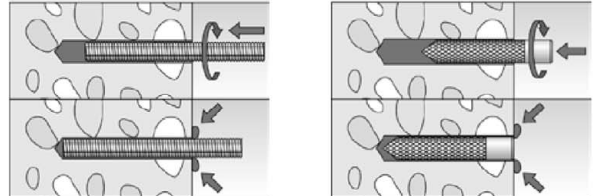
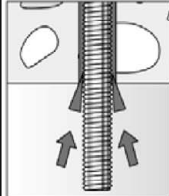
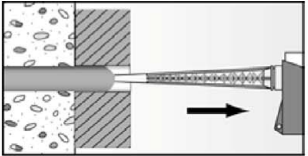

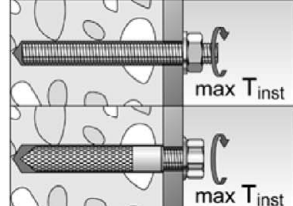
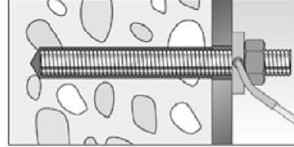
Annex B 11
Appendix 19/ 39

Installation instructions part 3

Injection of the mortar

<p>9</p>	 <p>Fill approximately 2/3 of the drill hole with mortar. Always begin from the bottom of the hole and avoid bubbles</p>	 <p>For drill hole depth ≥ 150 mm use an extension tube</p>	 <p>For overhead installation, deep holes ($h_0 > 250$ mm) or drill hole diameter ($d_0 \geq 40$ mm) use an injection-adapter</p>
----------	---	--	---

Installation of anchor rods or fischer internal threaded anchors RG MI

<p>10</p>		<p>Only use clean and oil-free metal parts. Mark the setting depth of the metal parts. Push the anchor rod or fischer internal threaded RG MI anchor down to the bottom of the hole, turning it slightly while doing so. After inserting the metal part, excess mortar must be emerged around the anchor element.</p>
	 <p>For overhead installations support the metal part with wedges (e. g. fischer centering wedges) or fischer overhead clips.</p>	 <p>For push through installation fill the annular gap with mortar</p>
<p>11</p>	 <p>Wait for the specified curing time t_{cure} see table B9.2</p>	<p>12</p>  <p>Mounting the fixture $\max T_{inst}$ see tables B3.1 and B6.1</p>
<p>Option</p>		<p>After the minimum curing time is reached, the gap between metal part and fixture (annular clearance) may be filled with mortar via the fischer filling disc. Compressive strength ≥ 50 N/mm² (e.g. fischer injection mortars FIS HB, FIS SB, FIS V, FIS EM Plus) ATTENTION: Using fischer filling disc reduces t_{fix} (usable length of the anchor)</p>

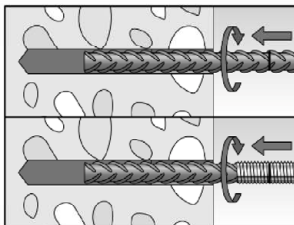
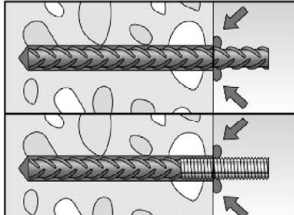

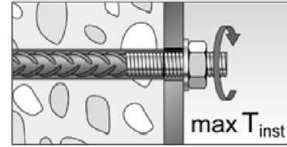
fischer injection system FIS EM Plus

Intended use
Installation instructions part 3

Annex B 12
Appendix 20/ 39

Installation instructions part 4

Installation reinforcing bars and fischer rebar anchor FRA

10		<p>Only use clean and oil-free reinforcing bars or fischer FRA. Mark the setting depth. Turn while using force to push the reinforcement bar or the fischer FRA into the filled hole up to the setting depth mark</p>	
10		<p>When the setting depth mark is reached, excess mortar must be emerged from the mouth of the drill hole.</p>	
11	 <p>Wait for the specified curing time t_{cure} see table B9.2</p>	12	 <p>Mounting the fixture max T_{inst} see table B8.1</p>

fischer injection system FIS EM Plus

Intended use
Installation instructions part 4

Annex B 13
Appendix 21/ 39

Table C1.1: Characteristic values for **steel failure** under tension / shear load of **fischer anchor rods** and **standard threaded rods**

Anchor rod / standard threaded rod		M8	M10	M12	M14	M16	M20	M22	M24	M27	M30		
Bearing capacity under tension load, steel failure³⁾													
Characteristic resistance $N_{Rk,s}$	Steel zinc plated	Property class 4.8	[kN]	15(13)	23(21)	33	46	63	98	121	141	184	224
		5.8		19(17)	29(27)	43	58	79	123	152	177	230	281
		8.8		29(27)	47(43)	68	92	126	196	243	282	368	449
	Stainless steel R and high corrosion resistant steel HCR	50		19	29	43	58	79	123	152	177	230	281
		70		26	41	59	81	110	172	212	247	322	393
		80		30	47	68	92	126	196	243	282	368	449
Partial factors ¹⁾													
Partial factor $\gamma_{Ms,N}$	Steel zinc plated	Property class 4.8	[-]	1,50									
		5.8		1,50									
		8.8		1,50									
	Stainless steel R and high corrosion resistant steel HCR	50		2,86									
		70		1,50 ²⁾ / 1,87									
		80		1,60									
Bearing capacity under shear load, steel failure³⁾													
without lever arm													
Characteristic resistance $V_{Rk,s}^0$	Steel zinc plated	Property class 4.8	[kN]	9(8)	14(13)	20	28	38	59	73	85	110	135
		5.8		11(10)	17(16)	25	34	47	74	91	106	138	168
		8.8		15(13)	23(21)	34	46	63	98	122	141	184	225
	Stainless steel R and high corrosion resistant steel HCR	50		9	15	21	29	39	61	76	89	115	141
		70		13	20	30	40	55	86	107	124	161	197
		80		15	23	34	46	63	98	122	141	184	225
Ductility factor	k ₇	[-]	1,0										
with lever arm													
Charact. resistance $M_{Rk,s}^0$	Steel zinc plated	Property class 4.8	[Nm]	15(13)	30(27)	52	83	133	259	357	448	665	899
		5.8		19(16)	37(33)	65	104	166	324	447	560	833	1123
		8.8		30(26)	60(53)	105	167	266	519	716	896	1333	1797
	Stainless steel R and high corrosion resistant steel HCR	50		19	37	65	104	166	324	447	560	833	1123
		70		26	52	92	146	232	454	626	784	1167	1573
		80		30	60	105	167	266	519	716	896	1333	1797
Partial factors ¹⁾													
Partial factor $\gamma_{Ms,V}$	Steel zinc plated	Property class 4.8	[-]	1,25									
		5.8		1,25									
		8.8		1,25									
	Stainless steel R and high corrosion resistant steel HCR	50		2,38									
		70		1,25 ²⁾ / 1,56									
		80		1,33									

¹⁾ In absence of other national regulations

²⁾ Only admissible for high corrosion resist. steel HCR, with $f_{yk}/f_{uk} \geq 0,8$ and $A_5 > 12\%$ (e.g. fischer anchor rods)

³⁾ Values in brackets are valid for undersized threaded rods with smaller stress area A_s for hot dip galvanised standard threaded rods according to EN ISO 10684:2004+AC:2009

fischer injection system FIS EM Plus

Performances

Characteristic values for steel failure under tension / shear load of fischer anchor rods and standard threaded rods

Annex C 1

Appendix 22/ 39

Table C2.1: Characteristic values for **steel failure** under tension / shear load of **fischer internal threaded anchors RG MI**

fischer internal threaded anchors RG MI				M8	M10	M12	M16	M20
Bearing capacity under tension load, steel failure								
Charact. resistance with screw	Property class	5.8	[kN]	19	29	43	79	123
		8.8		29	47	68	108	179
		R		26	41	59	110	172
		HCR		26	41	59	110	172
Partial factors¹⁾								
Partial factors	Property class	5.8	[-]	1,50				
		8.8		1,50				
		R		1,87				
		HCR		1,87				
Bearing capacity under shear load, steel failure								
Without lever arm								
Charact. resistance with screw	Property class	5.8	[kN]	9,2	14,5	21,1	39,2	62,0
		8.8		14,6	23,2	33,7	54,0	90,0
		R		12,8	20,3	29,5	54,8	86,0
		HCR		12,8	20,3	29,5	54,8	86,0
Ductility factor		k ₇	[-]	1,0				
With lever arm								
Charact. resistance with screw	Property class	5.8	[Nm]	20	39	68	173	337
		8.8		30	60	105	266	519
		R		26	52	92	232	454
		HCR		26	52	92	232	454
Partial factors¹⁾								
Partial factors	Property class	5.8	[-]	1,25				
		8.8		1,25				
		R		1,56				
		HCR		1,56				
¹⁾ In absence of other national regulations								
fischer injection system FIS EM Plus							Annex C 2 Appendix 23/ 39	
Performances Characteristic values for steel failure under tension / shear load of fischer internal threaded anchor RG MI								

Table C3.1: Characteristic values for **steel failure** under tension / shear load of **reinforcing bars**

Nominal diameter of the bar	ϕ	8	10	12	14	16	18	20	22	24	25	26	28	30	32	34	36	40	
Bearing capacity under tension load, steel failure																			
Characteristic resistance	$N_{Rk,s}$	[kN]	$A_s \cdot f_{uk}^{1)}$																
Bearing capacity under shear load, steel failure																			
Without lever arm																			
Characteristic resistance	$V^0_{Rk,s}$	[kN]	$0,5 \cdot A_s \cdot f_{uk}^{1)}$																
Ductility factor	k_7	[-]	1,0																
With lever arm																			
Characteristic resistance	$M^0_{Rk,s}$	[Nm]	$1,2 \cdot W_{el} \cdot f_{uk}^{1)}$																

¹⁾ f_{uk} or f_{yk} respectively must be taken from the specifications of the reinforcing bar

Table C3.2: Characteristic values for **steel failure** under tension / shear load of **fischer rebar anchors FRA**

fischer rebar anchor FRA		M12	M16	M20	M24	
Bearing capacity under tension load, steel failure						
Characteristic resistance	$N_{Rk,s}$	[kN]	63	111	173	270
Partial factor¹⁾						
Partial factor	$\gamma_{Ms,N}$	[-]	1,4			
Bearing capacity under shear load, steel failure						
Without lever arm						
Characteristic resistance	$V^0_{Rk,s}$	[kN]	30	55	86	124
Ductility factor	k_7	[-]	1,0			
With lever arm						
Characteristic resistance	$M^0_{Rk,s}$	[Nm]	92	233	454	785
Partial factor¹⁾						
Partial factor	$\gamma_{Ms,V}$	[-]	1,56			

¹⁾ In absence of other national regulations

fischer injection system FIS EM Plus	Annex C 3 Appendix 24/ 39
Performances Characteristic values for steel failure under tension / shear load of reinforcing bars and fischer rebar anchors FRA	

Table C4.1: Characteristic values for concrete failure under tension / shear load																					
Size				All sizes																	
Tension load																					
Installation factor		γ_{inst}	[-]	See annex C 5 to C 12 and C 17 to C 18																	
Factors for the compressive strength of concrete > C20/25																					
Increasing factor for τ_{RK}	C25/30		Ψ_c	[-]	1,02																
	C30/37				1,04																
	C35/45				1,06																
	C40/50				1,07																
	C45/55				1,08																
	C50/60				1,09																
Splitting failure																					
Edge distance	$h / h_{ef} \geq 2,0$		$C_{cr,sp}$	[mm]	1,0 h_{ef}																
	$2,0 > h / h_{ef} > 1,3$				4,6 $h_{ef} - 1,8 h$																
	$h / h_{ef} \leq 1,3$				2,26 h_{ef}																
Spacing		$S_{cr,sp}$	2 $C_{cr,sp}$																		
Concrete cone failure																					
Uncracked concrete		$k_{ucr,N}$	[-]	11,0																	
Cracked concrete		$k_{cr,N}$		7,7																	
Edge distance		$C_{cr,N}$	[mm]	1,5 h_{ef}																	
Spacing		$S_{cr,N}$		2 $C_{cr,N}$																	
Factors for sustained tension load																					
Factor		Ψ_{sus}^0	[-]	-1)																	
Shear load																					
Installation factor		γ_{inst}	[-]	1,0																	
Concrete pry-out failure																					
Factor for pry-out failure		k_8	[-]	2,0																	
Concrete edge failure																					
Effective length of fastener in shear loading		l_f	[mm]	for $d_{nom} \leq 24$ mm: min (h_{ef} , 12 d_{nom}) for $d_{nom} > 24$ mm: min (h_{ef} , 8 d_{nom} ; 300 mm)																	
Calculation diameters																					
Size			M8	M10	M12	M14	M16	M20	M22	M24	M27	M30									
fischer anchor rods and standard threaded rods		d_{nom}	[mm]	8	10	12	14	16	20	22	24	27	30								
fischer internal threaded anchors RG MI		d_{nom}		12	16	18	-2)	22	28	-2)	-2)	-2)	-2)								
fischer rebar anchor FRA		d_{nom}		-2)	-2)	12	-2)	16	20	-2)	25	-2)	-2)								
Size (nominal diameter of the bar)			ϕ	8	10	12	14	16	18	20	22	24	25	26	28	30	32	34	36	40	
Reinforcing bar			d_{nom}	[mm]	8	10	12	14	16	18	20	22	24	25	26	28	30	32	34	36	40
1) No performance assessed																					
2) Anchor type not part of the ETA																					
fischer injection system FIS EM Plus											Annex C 4 Appendix 25/ 39										
Performances Characteristic values for concrete failure under tension / shear load																					

Table C5.1: Characteristic values for **combined pull-out** and concrete failure for **fischer anchor rods** and **standard threaded rods** in hammer or diamond drilled holes; **uncracked or cracked concrete; working life 50 years**

Anchor rod / standard threaded rod		M8	M10	M12	M14	M16	M20	M22	M24	M27	M30		
Combined pullout and concrete cone failure													
Calculation diameter	d	[mm]	8	10	12	14	16	20	22	24	27	30	
Uncracked concrete													
Characteristic bond resistance in uncracked concrete C20/25													
<u>Hammer-drilling with standard drill bit or hollow drill bit (dry or wet concrete)</u>													
Temperature range	I: 35 °C / 60 °C	$\tau_{Rk,ucr}$	[N/mm ²]	18	18	18	17	17	16	15	15	15	14
	II: 50 °C / 72 °C			18	17	17	16	16	15	14	14	14	14
<u>Hammer-drilling with standard drill bit or hollow drill bit (water filled hole)</u>													
Temperature range	I: 35 °C / 60 °C	$\tau_{Rk,ucr}$	[N/mm ²]	16	16	15	13	13	11	11	10	10	9
	II: 50 °C / 72 °C			15	14	14	13	12	11	10	10	9	9
<u>Diamond-drilling (dry or wet concrete as well as water filled hole)</u>													
Temperature range	I: 35 °C / 60 °C	$\tau_{Rk,ucr}$	[N/mm ²]	16	15	13	12	12	10	10	10	9	9
	II: 50 °C / 72 °C			15	14	12	11	11	10	9	9	8	8
Installation factors													
Dry or wet concrete	γ_{inst}	[-]	1,0										
Water filled hole			1,4										
Cracked concrete													
Characteristic bond resistance in cracked concrete C20/25													
<u>Hammer-drilling with standard drill bit or hollow drill bit (dry or wet concrete)</u>													
Temperature range	I: 35 °C / 60 °C	$\tau_{Rk,cr}$	[N/mm ²]	7,5	7,5	9	8,5	8,5	8,5	8,5	8,5	8,5	8,5
	II: 50 °C / 72 °C			7,5	7,5	9	8,5	8,5	8,5	8,5	8,5	8,5	8,5
<u>Diamond - drilling (dry or wet concrete)</u>													
Temperature range	I: 35 °C / 60 °C	$\tau_{Rk,cr}$	[N/mm ²]	7	7	7	7	6	6	7	7	7	7
	II: 50 °C / 72 °C			7	7	7	7	6	6	7	7	7	7
<u>Hammer-drilling with standard drill bit or hollow drill bit and diamond-drilling (water filled hole)</u>													
Temperature range	I: 35 °C / 60 °C	$\tau_{Rk,cr}$	[N/mm ²]	6	7,5	7,5	7	6	6	6	6	6	6
	II: 50 °C / 72 °C			6	7	7	7	6	6	6	6	6	6
Installation factors													
Dry or wet concrete	γ_{inst}	[-]	1,0										
Water filled hole			1,2				1,4						
fischer injection system FIS EM Plus													
Performances Characteristic values for combined pull-out and concrete failure for fischer anchor rod and standard threaded rods; working life 50 years										Annex C 5 Appendix 26/ 39			

Table C6.1: Characteristic values for **combined pull-out** and concrete failure for **fischer anchor rods** and **standard threaded rods** in hammer or diamond drilled holes; **uncracked or cracked concrete; working life 100 years**

Anchor rod / standard threaded rod		M8	M10	M12	M14	M16	M20	M22	M24	M27	M30		
Combined pullout and concrete cone failure													
Calculation diameter	d	[mm]	8	10	12	14	16	20	22	24	27	30	
Uncracked concrete													
Characteristic bond resistance in uncracked concrete C20/25													
Hammer-drilling with standard drill bit or hollow drill bit (dry or wet concrete)													
Temperature range	I: 35 °C / 60 °C	$\tau_{Rk,ucr}$	[N/mm ²]	18	18	18	17	17	16	15	15	14	
	II: 50 °C / 72 °C			18	17	17	16	16	15	14	14	14	13
Diamond-drilling (dry or wet concrete)													
Temperature range	I: 35 °C / 60 °C	$\tau_{Rk,ucr}$	[N/mm ²]	16	15	13	12	12	10	10	10	9	9
	II: 50 °C / 72 °C			15	14	12	11	11	10	9	9	8	8
Installation factors													
Dry or wet concrete	γ_{inst}	[-]	1,0										
Working life 100 years	I: 35 °C / 60 °C	$\alpha_{100\ years}$	[-]	0,75	0,75	0,75	0,75	0,75	0,75	0,75	0,75	0,75	0,75
	II: 50 °C / 72 °C			0,55	0,60	0,60	0,65	0,65	0,65	0,65	0,65	0,65	0,65
Cracked concrete													
Characteristic bond resistance in cracked concrete C20/25													
Hammer-drilling with standard drill bit or hollow drill bit (dry or wet concrete)													
Temperature range	I: 35 °C / 60 °C	$\tau_{Rk,cr}$	[N/mm ²]	7,5	7,5	9	8,5	8,5	8,5	8,5	8,5	8,5	8,5
	II: 50 °C / 72 °C			7,5	7,5	9	8,5	8,5	8,5	8,5	8,5	8,5	8,5
Diamond - drilling (dry or wet concrete)													
Temperature range	I: 35 °C / 60 °C	$\tau_{Rk,cr}$	[N/mm ²]	7	7	7	7	6	6	7	7	7	7
	II: 50 °C / 72 °C			7	7	7	7	6	6	7	7	7	7
Installation factors													
Dry or wet concrete	γ_{inst}	[-]	1,0										
Working life 100 years	I: 35 °C / 60 °C	$\alpha_{100\ years}$	[-]	0,60	0,85	0,80	0,65	0,65	0,65	0,65	0,65	0,65	0,65
	II: 50 °C / 72 °C			0,60	0,85	0,80	0,65	0,65	0,65	0,65	0,65	0,65	0,65

1) **Calculation of characteristic bond resistance in uncracked concrete $\tau_{Rk,100, ucr}$:**

$$\tau_{Rk,100, ucr} = \alpha_{100\ years} \cdot \tau_{Rk,ucr}$$

2) **Calculation of characteristic bond resistance in cracked concrete $\tau_{Rk,100, cr}$:**

$$\tau_{Rk,100, cr} = \alpha_{100\ years} \cdot \tau_{Rk,cr}$$

fischer injection system FIS EM Plus

Performances

Characteristic values for combined pull-out and concrete failure for fischer anchor rod and standard threaded rods; working life 100 years

Annex C 6

Appendix 27/ 39

Table C7.1: Characteristic values for **combined pull-out** and concrete failure for **fischer internal threaded anchors RG MI** in hammer or diamond drilled holes; **uncracked or cracked concrete; working life 50 years**

Internal threaded anchor RG MI			M8	M10	M12	M16	M20		
Combined pullout and concrete cone failure									
Calculation diameter	d	[mm]	12	16	18	22	28		
Uncracked concrete									
Characteristic bond resistance in uncracked concrete C20/25									
<u>Hammer-drilling with standard drill bit or hollow drill bit (dry or wet concrete)</u>									
Tem- perature range	I: 35 °C / 60 °C		$\tau_{Rk,ucr}$	[N/mm ²]	15	14	14	13	12
	II: 50 °C / 72 °C				14	13	13	12	11
<u>Hammer-drilling with standard drill bit or hollow drill bit (water filled hole)</u>									
Tem- perature range	I: 35 °C / 60 °C		$\tau_{Rk,ucr}$	[N/mm ²]	14	12	12	11	10
	II: 50 °C / 72 °C				13	12	11	10	9
<u>Diamond-drilling (dry or wet concrete as well as water filled hole)</u>									
Tem- perature range	I: 35 °C / 60 °C		$\tau_{Rk,ucr}$	[N/mm ²]	13	12	11	10	9
	II: 50 °C / 72 °C				12	11	10	9	8
Installation factors									
Dry or wet concrete	γ_{inst}	[-]	1,0						
Water filled hole			1,4						
Cracked concrete									
Characteristic bond resistance in cracked concrete C20/25									
<u>Hammer-drilling with standard drill bit or hollow drill bit and diamond-drilling (dry or wet concrete)</u>									
Tem- perature range	I: 35 °C / 60 °C		$\tau_{Rk,cr}$	[N/mm ²]	7	6	6	7	7
	II: 50 °C / 72 °C				7	6	6	7	7
<u>Hammer-drilling with standard drill bit or hollow drill bit and diamond-drilling (water filled hole)</u>									
Tem- perature range	I: 35 °C / 60 °C		$\tau_{Rk,cr}$	[N/mm ²]	7	6,5	6	6	6
	II: 50 °C / 72 °C				7	6	6	6	6
Installation factors									
Dry or wet concrete	γ_{inst}	[-]	1,0						
Water filled hole			1,2			1,4			
fischer injection system FIS EM Plus									
Performances Characteristic values for combined pull-out and concrete failure for fischer internal threaded anchors RG MI; working life 50 years							Annex C 7 Appendix 28/ 39		

Table C8.1: Characteristic values for **combined pull-out** and concrete failure for **fischer internal threaded anchors RG MI** in hammer or diamond drilled holes; **uncracked or cracked concrete; working life 100 years**

Internal threaded anchor RG MI			M8	M10	M12	M16	M20	
Combined pullout and concrete cone failure								
Calculation diameter	d	[mm]	12	16	18	22	28	
Uncracked concrete								
Characteristic bond resistance in uncracked concrete C20/25								
Hammer-drilling with standard drill bit or hollow drill bit (dry or wet concrete)								
Temperature range	I: 35 °C / 60 °C	$\tau_{Rk,ucr}$	[N/mm ²]	15	14	14	13	12
	II: 50 °C / 72 °C			14	13	13	12	11
Diamond-drilling (dry or wet concrete)								
Temperature range	I: 35 °C / 60 °C	$\tau_{Rk,ucr}$	[N/mm ²]	13	12	11	10	9
	II: 50 °C / 72 °C			12	11	10	9	8
Installation factors								
Dry or wet concrete	γ_{inst}	[-]	1,0					
Working life 100 years	I: 35 °C / 60 °C	$\alpha_{100\ years}$	[-]	0,75	0,75	0,75	0,75	0,75
	II: 50 °C / 72 °C			0,55	0,60	0,60	0,65	0,65
Cracked concrete								
Characteristic bond resistance in cracked concrete C20/25								
Hammer-drilling with standard drill bit or hollow drill bit and diamond-drilling (dry or wet concrete)								
Temperature range	I: 35 °C / 60 °C	$\tau_{Rk,cr}$	[N/mm ²]	7	6	6	7	7
	II: 50 °C / 72 °C			7	6	6	7	7
Installation factors								
Dry or wet concrete	γ_{inst}	[-]	1,0					
Working life 100 years	I: 35 °C / 60 °C	$\alpha_{100\ years}$	[-]	0,60	0,85	0,80	0,65	0,65
	II: 50 °C / 72 °C			0,60	0,85	0,80	0,65	0,65

1) Calculation of characteristic bond resistance in uncracked concrete $\tau_{Rk,100, ucr}$:

$$\tau_{Rk,100, ucr} = \alpha_{100\ years} \cdot \tau_{Rk,ucr}$$

2) Calculation of characteristic bond resistance in cracked concrete $\tau_{Rk,100, cr}$:

$$\tau_{Rk,100, cr} = \alpha_{100\ years} \cdot \tau_{Rk,cr}$$

fischer injection system FIS EM Plus

Performances

Characteristic values for combined pull-out and concrete failure for fischer internal threaded anchors RG MI; working life 100 years

Table C9.1: Characteristic values for **combined pull-out** and concrete failure for **reinforcing bars** in hammer or diamond drilled holes; **uncracked or cracked concrete; working life 50 years**

Nominal diameter of the bar		ϕ	8	10	12	14	16	18	20	22	24	25	26	28	30	32	34	36	40		
Combined pullout and concrete cone failure																					
Calculation diameter		d	[mm]	8	10	12	14	16	18	20	22	24	25	26	28	30	32	34	36	40	
Uncracked concrete																					
Characteristic bond resistance in uncracked concrete C20/25																					
Hammer-drilling with standard drill bit or hollow drill bit (dry or wet concrete)																					
Tem- perature range	I: 35 °C / 60 °C		$\tau_{Rk,ucr}$	[N/mm ²]	16	15	15	14	14	13	13	13	12	12	12	12	12	11	11	11	
	II: 50 °C / 72 °C				15	14	14	13	13	12	12	12	12	11	11	11	11	11	11	11	10
Hammer-drilling with standard drill bit or hollow drill bit (water filled hole)																					
Tem- perature range	I: 35 °C / 60 °C		$\tau_{Rk,ucr}$	[N/mm ²]	16	16	14	13	12	12	11	11	10	10	10	10	9	9	9	8	8
	II: 50 °C / 72 °C				15	14	13	12	12	11	11	10	10	9	9	9	9	9	8	8	8
Diamond-drilling (dry or wet concrete as well as water filled hole)																					
Tem- perature range	I: 35 °C / 60 °C		$\tau_{Rk,ucr}$	[N/mm ²]	16	15	13	12	12	11	10	10	10	9	9	9	9	8	8	8	7
	II: 50 °C / 72 °C				15	14	12	11	11	10	10	9	9	9	8	8	8	8	7	7	7
Installation factors																					
Dry or wet concrete		γ_{inst}	[-]																	1,0	
Water filled hole																				1,4	
Cracked concrete																					
Characteristic bond resistance in cracked concrete C20/25																					
Hammer-drilling with standard drill bit or hollow drill bit (dry or wet concrete)																					
Tem- perature range	I: 35 °C / 60 °C		$\tau_{Rk,cr}$	[N/mm ²]	7	7	8	8	8	8	8	8	8	8	8	8	8	8	8	8	
	II: 50 °C / 72 °C				7	7	8	8	8	8	8	8	8	8	8	8	8	8	8	8	8
Diamond-drilling (dry or wet concrete)																					
Tem- perature range	I: 35 °C / 60 °C		$\tau_{Rk,cr}$	[N/mm ²]	7	7	7	7	6	6	6	7	7	7	7	7	7	5	5	5	5
	II: 50 °C / 72 °C				7	7	7	7	6	6	6	7	7	7	7	7	7	5	5	5	5
Hammer-drilling with standard drill bit or hollow drill bit and diamond-drilling (water filled hole)																					
Tem- perature range	I: 35 °C / 60 °C		$\tau_{Rk,cr}$	[N/mm ²]	6	7,5	6,5	6,5	6,5	6	6	6	6	6	6	6	6	5	5	5	5
	II: 50 °C / 72 °C				6	6,5	6,5	6	6	6	6	6	6	6	6	6	6	6	5	5	5
Installation factors																					
Dry or wet concrete		γ_{inst}	[-]																	1,0	
Water filled hole				1,2								1,4									
fischer injection system FIS EM Plus																					
Performances Characteristic values for combined pull-out and concrete failure for reinforcing bars; working life 50 years																		Annex C 9 Appendix 30/ 39			

Table C10.1: Characteristic values for **combined pull-out** and concrete failure for **reinforcing bars** in hammer or diamond drilled holes; **uncracked or cracked concrete; working life 100 years**

Nominal diameter of the bar ϕ		8	10	12	14	16	18	20	22	24	25	26	28	30	32	34	36	40	
Combined pullout and concrete cone failure																			
Calculation diameter d		[mm]	8	10	12	14	16	18	20	22	24	25	26	28	30	32	34	36	40
Uncracked concrete																			
Characteristic bond resistance in uncracked concrete C20/25																			
Hammer-drilling with standard drill bit or hollow drill bit (dry or wet concrete)																			
Temperature range	I: 35 °C / 60 °C	$\tau_{Rk,ucr}$	[N/mm ²]	16	15	15	14	14	13	13	13	12	12	12	12	11	11	11	11
	II: 50 °C / 72 °C			15	14	14	13	13	12	12	12	12	11	11	11	11	11	11	10
Diamond-drilling (dry or wet concrete)																			
Temperature range	I: 35 °C / 60 °C	$\tau_{Rk,ucr}$	[N/mm ²]	16	15	13	12	12	11	10	10	10	9	9	9	8	8	8	7
	II: 50 °C / 72 °C			15	14	12	11	11	10	10	9	9	9	8	8	8	8	7	7
Installation factors																			
Dry or wet concrete		γ_{inst}	[-]	1,0															
Working life 100 years	I: 35 °C / 60 °C	$\alpha_{100\ years}$	[-]	0,75	0,75	0,75	0,75	0,75	0,75	0,75	0,75	0,75	0,75	0,75	0,75	0,75	0,75	0,75	0,75
	II: 50 °C / 72 °C			0,55	0,60	0,60	0,65	0,65	0,65	0,65	0,65	0,65	0,65	0,65	0,65	0,65	0,65	0,65	0,65
Cracked concrete																			
Characteristic bond resistance in cracked concrete C20/25																			
Hammer-drilling with standard drill bit or hollow drill bit (dry or wet concrete)																			
Temperature range	I: 35 °C / 60 °C	$\tau_{Rk,cr}$	[N/mm ²]	7	7	8	8	8	8	8	8	8	8	8	8	8	8	8	8
	II: 50 °C / 72 °C			7	7	8	8	8	8	8	8	8	8	8	8	8	8	8	8
Diamond-drilling (dry or wet concrete)																			
Temperature range	I: 35 °C / 60 °C	$\tau_{Rk,cr}$	[N/mm ²]	7	7	7	7	6	6	6	7	7	7	7	7	5	5	5	5
	II: 50 °C / 72 °C			7	7	7	7	6	6	6	7	7	7	7	7	7	5	5	5
Installation factors																			
Dry or wet concrete		γ_{inst}	[-]	1,0															
Working life 100 years	I: 35 °C / 60 °C	$\alpha_{100\ years}$	[-]	0,60	0,85	0,80	0,65	0,65	0,65	0,65	0,65	0,65	0,65	0,65	0,65	0,65	0,65	0,65	0,65
	II: 50 °C / 72 °C			0,60	0,85	0,80	0,65	0,65	0,65	0,65	0,65	0,65	0,65	0,65	0,65	0,65	0,65	0,65	0,65

1) Calculation of characteristic bond resistance in uncracked concrete $\tau_{Rk,100, ucr}$:

$$\tau_{Rk,100, ucr} = \alpha_{100\ years} \cdot \tau_{Rk,ucr}$$

2) Calculation of characteristic bond resistance in cracked concrete $\tau_{Rk,100, cr}$:

$$\tau_{Rk,100, cr} = \alpha_{100\ years} \cdot \tau_{Rk,cr}$$

fischer injection system FIS EM Plus

Performances

Characteristic values for combined pull-out and concrete failure for reinforcing bars; working life 100 years

Annex C 10

Appendix 31/ 39

Table C11.1: Characteristic values for **combined pull-out** and concrete failure for **fischer rebar anchors FRA** in hammer or diamond drilled holes; **uncracked or cracked concrete; working life 50 years**

fischer rebar anchor FRA			M12	M16	M20	M24	
Combined pullout and concrete cone failure							
Calculation diameter	d	[mm]	12	16	20	25	
Uncracked concrete							
Characteristic bond resistance in uncracked concrete C20/25							
<u>Hammer-drilling with standard drill bit or hollow drill bit (dry or wet concrete)</u>							
Temperature range	I: 35 °C / 60 °C	$\tau_{Rk,ucr}$	[N/mm ²]	15	14	13	12
	II: 50 °C / 72 °C			14	13	12	12
<u>Hammer-drilling with standard drill bit or hollow drill bit (water filled hole)</u>							
Temperature range	I: 35 °C / 60 °C	$\tau_{Rk,ucr}$	[N/mm ²]	14	12	11	10
	II: 50 °C / 72 °C			13	12	11	9
<u>Diamond-drilling (dry or wet concrete as well as water filled hole)</u>							
Temperature range	I: 35 °C / 60 °C	$\tau_{Rk,ucr}$	[N/mm ²]	13	12	10	9
	II: 50 °C / 72 °C			12	11	10	9
Installation factors							
Dry or wet concrete		γ_{inst}	[-]	1,0			
Water filled hole				1,4			
Cracked concrete							
Characteristic bond resistance in cracked concrete C20/25							
<u>Hammer-drilling with standard drill bit or hollow drill bit and diamond-drilling (dry or wet concrete)</u>							
Temperature range	I: 35 °C / 60 °C	$\tau_{Rk,cr}$	[N/mm ²]	8	8	8	8
	II: 50 °C / 72 °C			8	8	8	8
<u>Hammer-drilling with standard drill bit or hollow drill bit and diamond-drilling (water filled hole)</u>							
Temperature range	I: 35 °C / 60 °C	$\tau_{Rk,cr}$	[N/mm ²]	7	6	6	6
	II: 50 °C / 72 °C			7	6	6	6
Installation factors							
Dry or wet concrete		γ_{inst}	[-]	1,0			
Water filled hole				1,2		1,4	
fischer injection system FIS EM Plus							
Performances Characteristic values for combined pull-out and concrete failure for fischer rebar anchors FRA; working life 50 years						Annex C 11 Appendix 32/ 39	

Table C12.1: Characteristic values for **combined pull-out** and concrete failure for **fischer rebar anchors FRA** in hammer or diamond drilled holes; **uncracked or cracked concrete; working life 100 years**

fischer rebar anchor FRA			M12	M16	M20	M24	
Combined pullout and concrete cone failure							
Calculation diameter	d	[mm]	12	16	20	25	
Uncracked concrete							
Characteristic bond resistance in uncracked concrete C20/25							
<u>Hammer-drilling with standard drill bit or hollow drill bit (dry or wet concrete)</u>							
Temperature range	I: 35 °C / 60 °C	$\tau_{Rk,ucr}$	[N/mm ²]	15	14	13	12
	II: 50 °C / 72 °C			14	13	12	12
<u>Diamond-drilling (dry or wet concrete)</u>							
Temperature range	I: 35 °C / 60 °C	$\tau_{Rk,ucr}$	[N/mm ²]	13	12	10	9
	II: 50 °C / 72 °C			12	11	10	9
Installation factors							
Dry or wet concrete	γ_{inst}	[-]	1,0				
Working life 100 years	I: 35 °C / 60 °C	$\alpha_{100\ years}$	[N/mm ²]	0,75	0,75	0,75	0,75
	II: 50 °C / 72 °C			0,60	0,65	0,65	0,65
Cracked concrete							
Characteristic bond resistance in cracked concrete C20/25							
<u>Hammer-drilling with standard drill bit or hollow drill bit and diamond-drilling (dry or wet concrete)</u>							
Temperature range	I: 35 °C / 60 °C	$\tau_{Rk,cr}$	[N/mm ²]	8	8	8	8
	II: 50 °C / 72 °C			8	8	8	8
Installation factors							
Dry or wet concrete	γ_{inst}	[-]	1,0				
Working life 100 years	I: 35 °C / 60 °C	$\alpha_{100\ years}$	[-]	0,80	0,65	0,65	0,65
	II: 50 °C / 72 °C			0,80	0,65	0,65	0,65

1) **Calculation of characteristic bond resistance in uncracked concrete $\tau_{Rk,100, ucr}$:**

$$\tau_{Rk,100, ucr} = \alpha_{100\ years} \cdot \tau_{Rk,ucr}$$

2) **Calculation of characteristic bond resistance in cracked concrete $\tau_{Rk,100, cr}$:**

$$\tau_{Rk,100, cr} = \alpha_{100\ years} \cdot \tau_{Rk,cr}$$

fischer injection system FIS EM Plus

Performances

Characteristic values for pull-out and concrete failure for fischer rebar anchors FRA; working life 100 years

Annex C 12

Appendix 33/ 39

Table C13.1: Displacements for anchor rods											
Anchor rod		M8	M10	M12	M14	M16	M20	M22	M24	M27	M30
Displacement-Factors for tension load¹⁾											
Uncracked or cracked concrete; Temperature range I, II											
δ_{N0} -Factor	[mm/(N/mm ²)]	0,07	0,08	0,09	0,09	0,10	0,11	0,11	0,12	0,12	0,13
$\delta_{N\infty}$ -Factor		0,11	0,12	0,13	0,14	0,15	0,16	0,17	0,18	0,19	0,19
Displacement-Factors for shear load²⁾											
Uncracked or cracked concrete; Temperature range I, II											
δ_{V0} -Factor	[mm/kN]	0,18	0,15	0,12	0,10	0,09	0,07	0,07	0,06	0,05	0,05
$\delta_{V\infty}$ -Factor		0,27	0,22	0,18	0,16	0,14	0,11	0,10	0,09	0,08	0,07
1) Calculation of effective displacement: $\delta_{N0} = \delta_{N0}\text{-Factor} \cdot \tau_{Ed}$ $\delta_{N\infty} = \delta_{N\infty}\text{-Factor} \cdot \tau_{Ed}$ (τ_{Ed} : Design value of the applied tensile stress)						2) Calculation of effective displacement: $\delta_{V0} = \delta_{V0}\text{-Factor} \cdot V_{Ed}$ $\delta_{V\infty} = \delta_{V\infty}\text{-Factor} \cdot V_{Ed}$ (V_{Ed} : Design value of the applied shear force)					

Table C13.2: Displacements for fischer internal threaded anchors RG MI						
Internal threaded anchor RG MI		M8	M10	M12	M16	M20
Displacement-Factors for tension load¹⁾						
Uncracked or cracked concrete; Temperature range I, II						
δ_{N0} -Factor	[mm/(N/mm ²)]	0,09	0,10	0,10	0,11	0,13
$\delta_{N\infty}$ -Factor		0,13	0,15	0,16	0,17	0,19
Displacement-Factors for shear load²⁾						
Uncracked or cracked concrete; Temperature range I, II						
δ_{V0} -Factor	[mm/kN]	0,12	0,09	0,08	0,07	0,05
$\delta_{V\infty}$ -Factor		0,18	0,14	0,12	0,10	0,08
1) Calculation of effective displacement: $\delta_{N0} = \delta_{N0}\text{-Factor} \cdot \tau_{Ed}$ $\delta_{N\infty} = \delta_{N\infty}\text{-Factor} \cdot \tau_{Ed}$ (τ_{Ed} : Design value of the applied tensile stress)			2) Calculation of effective displacement: $\delta_{V0} = \delta_{V0}\text{-Factor} \cdot V_{Ed}$ $\delta_{V\infty} = \delta_{V\infty}\text{-Factor} \cdot V_{Ed}$ (V_{Ed} : Design value of the applied shear force)			

fischer injection system FIS EM Plus	Annex C 13 Appendix 34/ 39
Performances Displacements for anchor rods and fischer internal threaded anchors RG MI	

Table C14.1: Displacements for reinforcing bars

Nominal diameter of the bar ϕ		8	10	12	14	16	18	20	22	24	25	26	28	30	32	34	36	40
Displacement-Factors for tension load¹⁾																		
Uncracked or cracked concrete; Temperature range I, II																		
δ_{N0} -Factor	[mm/(N/mm ²)]	0,07	0,08	0,09	0,09	0,10	0,10	0,11	0,11	0,12	0,12	0,12	0,13	0,13	0,13	0,14	0,14	0,15
$\delta_{N\infty}$ -Factor		0,11	0,12	0,13	0,14	0,15	0,16	0,16	0,17	0,18	0,18	0,18	0,19	0,19	0,20	0,20	0,21	0,22
Displacement-Factors for shear load²⁾																		
Uncracked or cracked concrete; Temperature range I, II																		
δ_{V0} -Factor	[mm/kN]	0,18	0,15	0,12	0,10	0,09	0,08	0,07	0,07	0,06	0,06	0,06	0,05	0,05	0,05	0,04	0,04	0,04
$\delta_{V\infty}$ -Factor		0,27	0,22	0,18	0,16	0,14	0,12	0,11	0,10	0,09	0,09	0,08	0,08	0,07	0,07	0,06	0,06	0,05
1) Calculation of effective displacement: $\delta_{N0} = \delta_{N0}\text{-Factor} \cdot \tau_{Ed}$ $\delta_{N\infty} = \delta_{N\infty}\text{-Factor} \cdot \tau_{Ed}$ (τ_{Ed} : Design value of the applied tensile stress)									2) Calculation of effective displacement: $\delta_{V0} = \delta_{V0}\text{-Factor} \cdot V_{Ed}$ $\delta_{V\infty} = \delta_{V\infty}\text{-Factor} \cdot V_{Ed}$ (V_{Ed} : Design value of the applied shear force)									

Table C14.2: Displacements for fischer rebar anchors FRA

fischer rebar anchor FRA	M12	M16	M20	M24
Displacement-Factors for tension load¹⁾				
Uncracked or cracked concrete; Temperature range I, II				
δ_{N0} -Factor	0,09		0,10	0,12
$\delta_{N\infty}$ -Factor	0,13		0,15	0,18
Displacement-Factors for shear load²⁾				
Uncracked or cracked concrete; Temperature range I, II				
δ_{V0} -Factor	0,12		0,09	0,06
$\delta_{V\infty}$ -Factor	0,18		0,14	0,09
1) Calculation of effective displacement: $\delta_{N0} = \delta_{N0}\text{-Factor} \cdot \tau_{Ed}$ $\delta_{N\infty} = \delta_{N\infty}\text{-Factor} \cdot \tau_{Ed}$ (τ_{Ed} : Design value of the applied tensile stress)		2) Calculation of effective displacement: $\delta_{V0} = \delta_{V0}\text{-Factor} \cdot V_{Ed}$ $\delta_{V\infty} = \delta_{V\infty}\text{-Factor} \cdot V_{Ed}$ (V_{Ed} : Design value of the applied shear force)		

Table C15.1: Characteristic values for steel failure under tension / shear load of fischer anchor rods and standard threaded rods under seismic action performance category C1 or C2

Anchor rod / standard threaded rod		M10	M12	M14	M16	M20	M22	M24	M27	M30				
Bearing capacity under tension load, steel failure¹⁾														
fischer anchor rods and standard threaded rods, performance category C1²⁾														
Characteristic resistance $N_{Rk,s,C1}$	Steel zinc plated	Property class	5.8	[kN]	29(27)	43	58	79	123	152	177	230	281	
			8.8		47(43)	68	92	126	196	243	282	368	449	
	Stainless steel R and high corrosion resistant steel HCR		50		29	43	58	79	123	152	177	230	281	
			70		41	59	81	110	172	212	247	322	393	
		80		47	68	92	126	196	243	282	368	449		
	fischer anchor rods and standard threaded rods, performance category C2²⁾													
	Characteristic resistance $N_{Rk,s,C2}$	Steel zinc plated	Property class	5.8	[-]	- ⁴⁾	39	- ⁴⁾	72	108	- ⁴⁾	177	- ⁴⁾	- ⁴⁾
				8.8		- ⁴⁾	61	- ⁴⁾	116	173	- ⁴⁾	282	- ⁴⁾	- ⁴⁾
Stainless steel R and high corrosion resistant steel HCR		50			- ⁴⁾	39	- ⁴⁾	72	108	- ⁴⁾	177	- ⁴⁾	- ⁴⁾	
		70			- ⁴⁾	53	- ⁴⁾	101	152	- ⁴⁾	247	- ⁴⁾	- ⁴⁾	
		80		- ⁴⁾	61	- ⁴⁾	116	173	- ⁴⁾	282	- ⁴⁾	- ⁴⁾		
Bearing capacity under shear load, steel failure without lever arm¹⁾														
fischer anchor rods, performance category C1²⁾														
Characteristic resistance $V_{Rk,s,C1}$		Steel zinc plated	Property class	5.8	[kN]	17(16)	25	34	47	74	91	106	138	168
	8.8				23(21)	34	46	63	98	122	141	184	225	
	Stainless steel R and high corrosion resistant steel HCR	50			15	21	29	39	61	76	89	115	141	
		70			20	30	40	55	86	107	124	161	197	
		80		23	34	46	63	98	122	141	184	225		
	Standard threaded rods, performance category C1²⁾													
	Characteristic resistance $V_{Rk,s,C1}$	Steel zinc plated	Property class	5.8	[kN]	12(11)	17	24	33	52	64	74	97	118
				8.8		16(14)	24	32	44	69	85	99	129	158
Stainless steel R and high corrosion resistant steel HCR		50			11	15	20	27	43	53	62	81	99	
		70			14	21	28	39	60	75	87	113	138	
		80		16	24	32	44	69	85	99	129	158		
fischer anchor rods and standard threaded rods, performance category C2														
Characteristic resistance $V_{Rk,s,C2}$		Steel zinc plated	Property class	5.8	[-]	- ⁴⁾	14	- ⁴⁾	27	43	- ⁴⁾	62	- ⁴⁾	- ⁴⁾
				8.8		- ⁴⁾	22	- ⁴⁾	44	69	- ⁴⁾	99	- ⁴⁾	- ⁴⁾
	Stainless steel R and high corrosion resistant steel HCR	50			- ⁴⁾	14	- ⁴⁾	27	43	- ⁴⁾	62	- ⁴⁾	- ⁴⁾	
		70			- ⁴⁾	20	- ⁴⁾	39	60	- ⁴⁾	87	- ⁴⁾	- ⁴⁾	
		80		- ⁴⁾	22	- ⁴⁾	44	69	- ⁴⁾	99	- ⁴⁾	- ⁴⁾		
	Factor for the annular gap	α_{gap}	[-]	0,5 (1,0) ³⁾										

¹⁾ Partial factors for performance category C1 or C2 see table C1.1;

for fischer anchor rods FIS A / RGM the factor for steel ductility is 1,0

²⁾ Values in brackets are valid for undersized threaded rods with smaller stress area A_s for hot dip galvanised standard threaded rods according to EN ISO 10684:2004+AC:2009.

³⁾ Values in brackets are valid for filled annular gaps between the anchor rod and the through-hole in the attachment. It is necessary to use the fischer filling disc according to Annex A 1

⁴⁾ No performance assessed

fischer injection system FIS EM Plus

Performances

Characteristic values for steel failure under tension / shear load for fischer anchor rods and standard threaded rods under seismic action (performance category C1 / C2)

Annex C 15

Appendix 36/ 39

Table C16.1: Characteristic values for **steel failure** under tension / shear load for **reinforcing bars (B500B)** under seismic action performance category **C1**

Nominal diameter of the bar	ϕ	10	12	14	16	18	20	22	24	25	26	28	30	32	
Bearing capacity under tension load, steel failure¹⁾															
Reinforcing bar B500B acc. to DIN 488-2:2009-08, performance category C1															
Characteristic resistance	$N_{Rk,s,C1}$	[kN]	44	63	85	111	140	173	209	249	270	292	339	389	443
Bearing capacity under shear load, steel failure without lever arm¹⁾															
Reinforcing bar B500B acc. to DIN 488-2:2009-08, performance category C1															
Characteristic resistance	$V_{Rk,s,C1}$	[kN]	15	22	30	39	49	61	74	88	95	102	119	137	155

¹⁾ Partial factors for performance category C1 see table C16.2

Table C16.2: **Partial factors** for **fischer anchor rods, standard threaded rods** and **reinforcing bars (B500B)** under seismic action performance category **C1 or C2**

Anchor rod / standard threaded rod		M10	M12	M14	M16	M20	M22	M24	M27	M30				
Nominal diameter of the bar	ϕ	10	12	14	16	18	20	22	24	25	26	28	30	32
Tension load, steel failure¹⁾														
Partial factor $\gamma_{Ms,N}$	Steel zinc plated	Property class	5.8	[-]	1,50									
			8.8		1,50									
	Stainless steel R and high corrosion resistant steel HCR	50	2,86											
		70	1,50 ²⁾ / 1,87											
		80	1,60											
	Reinforcing bar	B500B	1,40											

Shear load, steel failure¹⁾														
Partial factor $\gamma_{Ms,V}$	Steel zinc plated	Property class	5.8	[-]	1,25									
			8.8		1,25									
	Stainless steel R and high corrosion resistant steel HCR	50	2,38											
		70	1,25 ²⁾ / 1,56											
		80	1,33											
	Reinforcing bar	B500B	1,50											

¹⁾ In absence of other national regulations

²⁾ Only admissible for high corrosion resistant steel HCR, with $f_{yk} / f_{uk} \geq 0,8$ and $A_5 > 12 \%$ (e.g. fischer anchor rods)

fischer injection system FIS EM Plus

Performances

Characteristic values for steel failure under tension/shear load for reinforcing bars under seismic action (performance category C1); partial factors (perform. category C1 / C2)

Annex C 16

Appendix 37/ 39

Table C17.1: Characteristic values for **combined pull-out** and concrete failure for **fischer anchor rods** and **standard threaded rods** in hammer drilled holes under seismic action performance category **C1**; **working life 50 and 100 years**

Anchor rod / standard threaded rod		M10	M12	M14	M16	M20	M22	M24	M27	M30
Characteristic bond resistance, combined pullout and concrete cone failure										
Hammer-drilling with standard drill bit or hollow drill bit (dry or wet concrete)										
Temperature range	I: 35 °C / 60 °C	$\tau_{RK,C1}$ [N/mm ²]	7,0	7,0	6,7	6,0	5,7	6,7	6,7	6,7
	II: 50 °C / 72 °C		7,0	7,0	6,7	5,7	5,7	6,7	6,7	6,7
Hammer-drilling with standard drill bit or hollow drill bit (water filled hole)										
Temperature range	I: 35 °C / 60 °C	$\tau_{RK,C1}$ [N/mm ²]	7,5	7,5	6,5	5,7	5,7	5,7	5,7	5,7
	II: 50 °C / 72 °C		6,8	6,8	6,5	5,7	5,7	5,7	5,7	5,7
Installation factors										
Dry or wet concrete	γ_{inst}	[-]	1,0							
Water filled hole			1,2 ¹⁾				1,4 ¹⁾			

¹⁾ Not permitted in combination with working life 100 years

Table C17.2: Characteristic values for **combined pull-out** and concrete failure for **reinforcing bars** in hammer drilled holes under seismic action performance category **C1**; **working life 50 and 100 years**

Nominal diameter of the bar ϕ		10	12	14	16	18	20	22	24	25	26	28	30	32
Characteristic bond resistance, combined pullout and concrete cone failure														
Hammer-drilling with standard drill bit or hollow drill bit (dry or wet concrete)														
Temperature range	I: 35 °C / 60 °C	$\tau_{RK,C1}$ [N/mm ²]	7,0	7,0	6,7	5,7	5,7	5,7	6,7	6,7	6,7	6,7	6,7	4,8
	II: 50 °C / 72 °C		7,0	7,0	6,7	5,7	5,7	5,7	6,7	6,7	6,7	6,7	6,7	4,8
Hammer-drilling with standard drill bit or hollow drill bit (water filled hole)														
Temperature range	I: 35 °C / 60 °C	$\tau_{RK,C1}$ [N/mm ²]	7,5	6,5	6,5	5,7	5,7	5,7	5,7	5,7	5,7	5,7	5,7	4,8
	II: 50 °C / 72 °C		6,5	6,5	5,8	5,8	5,7	5,7	5,7	5,7	5,7	5,7	5,7	4,8
Installation factors														
Dry or wet concrete	γ_{inst}	[-]	1,0											
Water filled hole			1,2 ¹⁾						1,4 ¹⁾					

¹⁾ Not permitted in combination with working life 100 years

fischer injection system FIS EM Plus

Performances

Characteristic values for combined pull-out and concrete failure under seismic action (C1 for fischer anchor rods, stand. thread. rods and reinf. bars; working life 50 and 100 years)

Annex C 17

Appendix 38/ 39

Table C18.1: Characteristic values for **combined pull-out** and concrete failure for **fischer anchor rods** and **standard threaded rods** in hammer drilled holes under seismic action performance category **C2**; **working life 50 and 100 years**

Anchor rod / standard threaded rod		M12	M16	M20	M24	
Characteristic bond resistance, combined pullout and concrete cone failure						
Hammer-drilling with standard drill bit or hollow drill bit (dry or wet concrete)						
Tem- perature range	I: 35 °C / 60 °C	$\tau_{Rk,C2}$ [N/mm ²]	3,5	5,8	5,0	3,1
	II: 50 °C / 72 °C		3,3	5,5	4,7	2,9
Hammer-drilling with standard drill bit or hollow drill bit (water filled hole)						
Tem- perature range	I: 35 °C / 60 °C	$\tau_{Rk,C2}$ [N/mm ²]	3,5	5,8	5,0	3,1
	II: 50 °C / 72 °C		3,3	5,5	4,7	2,9
Installation factors						
Dry or wet concrete		γ_{inst} [-]	1,0			
Water filled hole			1,2 ¹⁾	1,4 ¹⁾		
¹⁾ Not permitted in combination with working life 100 years						
Displacement-Factors for tension load¹⁾						
$\delta_{N,C2}$ (DLS)-Factor		[mm/(N/mm ²)]	0,09	0,10	0,11	0,12
$\delta_{N,C2}$ (ULS)-Factor			0,15	0,17	0,17	0,18
Displacement-Factors for shear load²⁾						
$\delta_{V,C2}$ (DLS)-Factor		[mm/kN]	0,18	0,10	0,07	0,06
$\delta_{V,C2}$ (ULS)-Factor			0,25	0,14	0,11	0,09
¹⁾ Calculation of effective displacement: $\delta_{N,C2}$ (DLS) = $\delta_{N,C2}$ (DLS)-Factor · τ_{Ed} $\delta_{N,C2}$ (ULS) = $\delta_{N,C2}$ (ULS)-Factor · τ_{Ed} (τ_{Ed} : Design value of the applied tensile stress)			²⁾ Calculation of effective displacement: $\delta_{V,C2}$ (DLS) = $\delta_{V,C2}$ (DLS)-Factor · V_{Ed} $\delta_{V,C2}$ (ULS) = $\delta_{V,C2}$ (ULS)-Factor · V_{Ed} (V_{Ed} : Design value of the applied shear force)			

fischer injection system FIS EM Plus

Performances

Characteristic values for combined pull-out and concrete failure under seismic action (C2) for fischer anchor rods and standard threaded rods; working life 50 and 100 years

Annex C 18

Appendix 39/ 39