



## DEKLARACJA WŁAŚCIWOŚCI UŻYTKOWYCH

### DoP 0282

dla fischer Highbond-Anchor FHB II (Łączniki metalowe do stosowania w betonie)

PL

- Niepowtarzalny kod identyfikacyjny typu wyrobu: DoP 0282
- Zamierzone zastosowanie: Mocowanie w betonie zarysowanym lub niezarysowanym zobacz załącznik, w szczególności aneksy B1 - B9.
- Producent: fischerwerke GmbH & Co. KG, Klaus-Fischer-Str. 1, 72178 Waldachtal, Niemcy
- Upoważniony przedstawiciel: -
- System(-y) oceny i weryfikacji stałości właściwości użytkowych: 1
- Europejski dokument oceny: ETAG 001, Part 5, April 2013, użyty jako EAD  
Europejska ocena techniczna: ETA-05/0164; 2017-12-14  
Jednostka ds. oceny technicznej: DIBt- Deutsches Institut für Bautechnik  
Jednostka lub jednostki notyfikowane: 2873 TU Darmstadt
- Deklarowane właściwości użytkowe:  
**Wytrzymałość mechaniczna i stabilność osadzenia (BWR 1)**  
**Nośność charakterystyczna na wrywanie (nośności statyczne i quasi-statyczne):**  
Nośność do uszkodzenia stali: Aneksy C1, C2  
Nośność na wrywanie i zniszczenie stożka betonu: Aneksy C1, C2  
  
Nośność do wyrwania stożka betonu: Aneksy C1, C2  
Odległość od krawędzi zapobiegająca pękaniu pod obciążeniem: Aneksy C1, C2  
Solidność: Aneksy C1-C4  
Moment dokręcania: Aneksy B3, B4  
Minimalne odstępki osiowe i krawędziowe: Aneksy B3, B4  
  
**Nośność charakterystyczna na ścinanie (nośności statyczne i quasi-statyczne):**  
Nośność do uszkodzenia stali: Aneksy C3, C4 (k<sub>7</sub>=k<sub>2</sub>)  
Nośność do uszkodzenia wyważenia: Aneksy C3, C4 (k<sub>8</sub>=k<sub>3</sub>)  
Nośność do zniszczenia krawędzi betonu: Aneksy C3, C4  
  
**Przemieszczenia pod obciążeniem krótko- i długoterminowym:**  
Przemieszczenia pod obciążeniem krótko- i długoterminowym: Aneksy C5, C6  
  
**Nośność charakterystyczna i przemieszczenia w warunkach sejsmicznych dla kategorii C1 i C2:**  
Nośność na wrywanie, zmiany, kategoria C1 NPD  
Nośność na wrywanie, zmiany kategoria C2: NPD  
Nośność na ścinanie, zmiany, kategoria C1: NPD  
Nośność na ścinanie, zmiany, kategoria C1: NPD  
Współczynnik szczeliny pierścieniowej NPD  
  
**Higiena, zdrowie i środowisko (BWR 3)**  
Treść, emisja i / lub uwalnianie substancji niebezpiecznych: NPD
- Odpowiednia dokumentacja techniczna lub specjalna dokumentacja techniczna: -

Właściwości użytkowe określonego powyżej wyrobu są zgodne z zestawem deklarowanych właściwości użytkowych. Niniejsza deklaracja właściwości użytkowych wydana zostaje zgodnie z rozporządzeniem (UE) nr 305/2011 na wyłączną odpowiedzialność producenta określonego powyżej.

W imieniu producenta podpisał(-a):

Dr.-Ing. Oliver Geibig, Dyrektor Zarządzający ds. Jednostek Biznesowych i Inżynierii  
Tumlingen, 2021-01-19

Jürgen Grün, Dyrektor Zarządzający ds. Chemii i Jakości

Niniejsza Deklaracja Właściwości Użytkowych została przygotowana w różnych językach. W razie wątpliwości w interpretacji, wersja angielska jest zawsze miarodajna.

Załącznik zawiera dobrowolne i uzupełniające informacje w języku angielskim (neutralne językowo), a wykraczające poza wymagania prawne.

## Specific Part

### 1 Technical description of the product

The fischer Highbond-Anchor FHB II is a torque controlled bonded anchor consisting of a mortar cartridge with mortar fischer FIS HB or fischer mortar capsule FHB II–P(F) and an anchor rod FHB II - A L or FHB II - A S with hexagon nut and washer.

The glass capsule is set into a drilled hole in the concrete. The special formed anchor rod is driven into the glass capsule by machine with simultaneous hammering and turning. For the injection system the anchor rod is placed into a drilled hole filled with injection mortar. The load transfer is realised by mechanical interlock of several cones in the bonding mortar and then via a combination of bonding and friction forces in the anchorage ground (concrete).

The product description is given in Annex A.

### 2 Specification of the intended use in accordance with the applicable European Assessment Document

The performances given in Section 3 are only valid if the anchor is used in compliance with the specifications and conditions given in Annex B.

The verifications and assessment methods on which this European Technical Assessment is based lead to the assumption of a working life of the anchor of at least 50 years. The indications given on the working life cannot be interpreted as a guarantee given by the producer, but are to be regarded only as a means for choosing the right products in relation to the expected economically reasonable working life of the works.

### 3 Performance of the product and references to the methods used for its assessment

#### 3.1 Mechanical resistance and stability (BWR 1)

Essential characteristic	Performance
Characteristic values under tension and shear load	See Annex C 1 to C 4
Displacements under tension and shear loads	See Annex C 5 and C 6

#### 3.2 Safety in case of fire (BWR 2)

Essential characteristic	Performance
Reaction to fire	Anchorage satisfy requirements for Class A1
Resistance to fire	No performance assessed

#### 3.3 Hygiene, health and the environment (BWR 3)

Regarding dangerous substances there may be requirements (e.g. transposed European legislation and national laws, regulations and administrative provisions) applicable to the products falling within the scope of this European Technical Assessment. In order to meet the provisions of Regulation (EU) No 305/2011, these requirements need also to be complied with, when and where they apply.

#### 3.4 Safety in use (BWR 4)

The essential characteristics regarding Safety in use are included under the Basic Works Requirement Mechanical resistance and stability.

**4 Assessment and verification of constancy of performance (AVCP) system applied, with reference to its legal base**

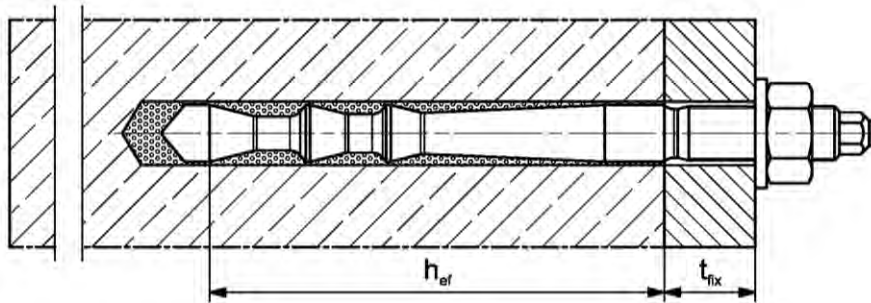
In accordance with guideline for European technical approval ETAG 001, April 2013, used as European Assessment Document (EAD) according to Article 66 Paragraph 3 of Regulation (EU) No 305/2011, the applicable European legal act is: [96/582/EC].

The system to be applied is: 1

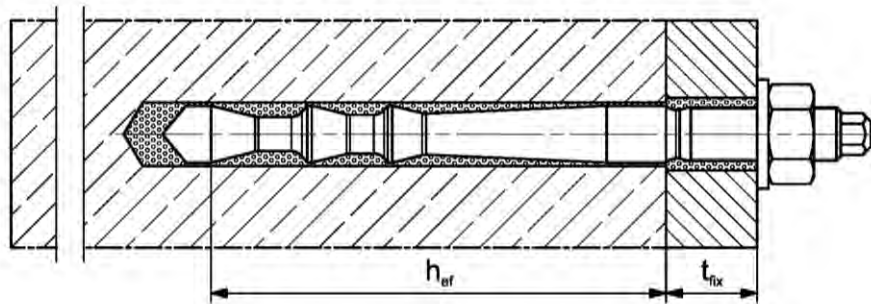
# Installation conditions part 1

fischer Highbond - Anchor FHB II - A L

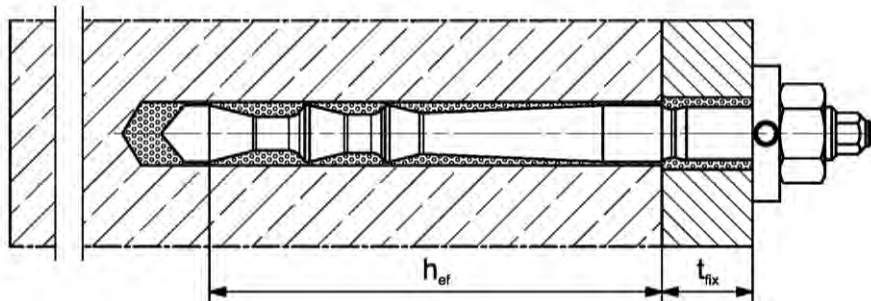
Pre-positioned installation



Push through installation not with mortar capsule (annular gap filled with mortar)



Pre-positioned or push through installation with subsequently pressed filling disk  
(annular gap filled with mortar)



Pictures not to scale

$h_{ef}$  = effective anchorage depth

$t_{fix}$  = thickness of fixture

fischer Highbond-Anchor FHB II

**Product description**  
Installation conditions part 1; FHB II - A L

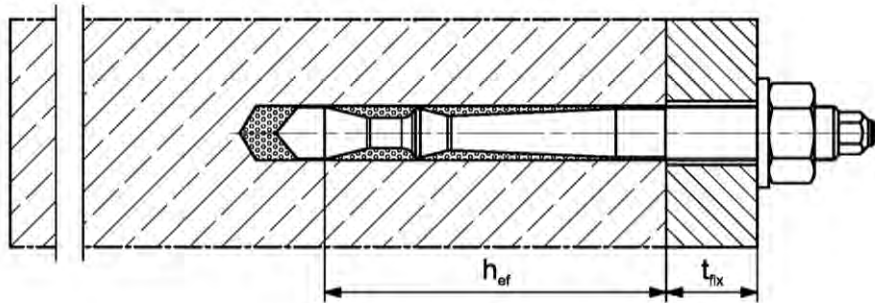
**Annex A 1**

Appendix 3 / 22

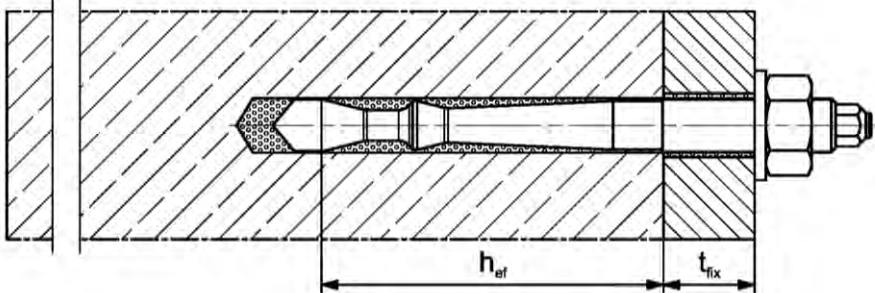
## Installation conditions part 2

fischer Highbond - Anchor FHB II - A S

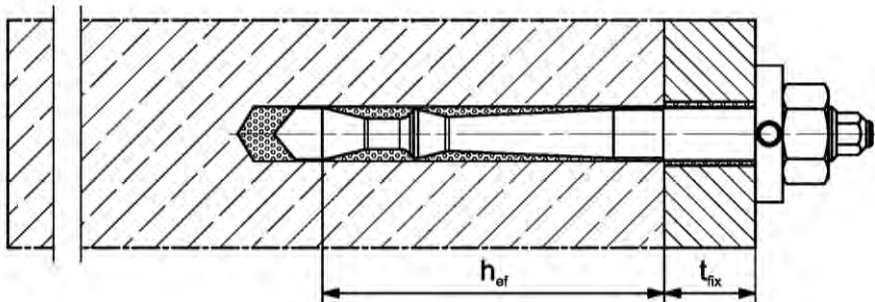
Pre-positioned installation



Push through installation



Pre-positioned or push through installation with subsequently pressed filling disk  
(annular gap filled with mortar)



Pictures not to scale

$h_{ef}$  = effective anchorage depth

$t_{fix}$  = thickness of fixture

fischer Highbond-Anchor FHB II

**Product description**

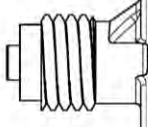
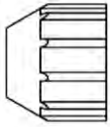
Installation conditions part 2; FHB II - A S

**Annex A 2**

Appendix 4 / 22

## Overview system components part 1

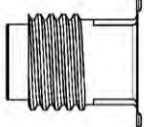
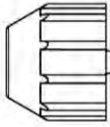
### Mortar cartridge (shuttle cartridge) with sealing cap; Size: 360 ml, 950 ml



**Imprint:** fischer FIS HB, processing notes, shelf-life, piston travel scale (optional), curing times and processing times (depending on temperature), hazard code, size, volume



### Mortar cartridge (coaxial cartridge) with sealing cap; Size: 150 ml, 300 ml



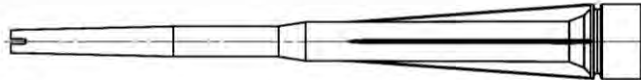
**Imprint:** fischer FIS HB, processing notes, shelf-life, piston travel scale (optional), curing times and processing times (depending on temperature), hazard code, size, volume



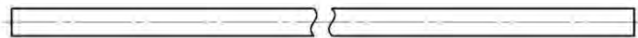
### Mortar capsule



### Static mixer MR or UMR



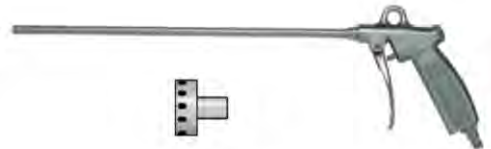
### Extension tube for static mixer



### Cleaning brush BS



### Blow-out pump ABG or ABP with cleaning nozzle



Pictures not to scale

fischer Highbond-Anchor FHB II

#### System description

Overview system components part 1;  
cartridges / mortar capsule / accessories

**Annex A 3**

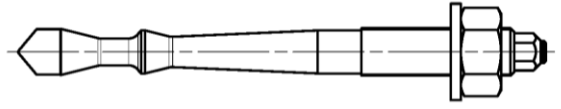
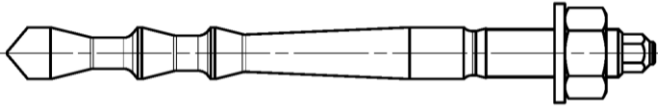
Appendix 5 / 22

## Overview system components part 2

fischer Highbond - Anchor rod; pre-assembled condition

fischer Highbond - Anchor rod FHB II - A L

fischer Highbond - Anchor rod FHB II - A S



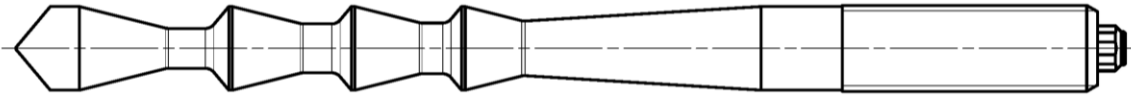
**Anchor rod FHB II - A L**

Size: M8, M10, M12, M16, M20



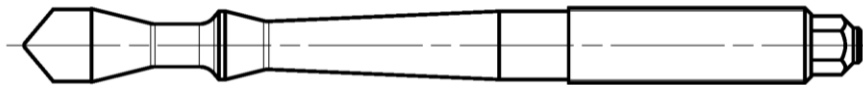
**Anchor rod FHB II - A L**

Size: M24

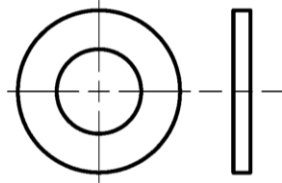


**Anchor rod FHB II - A S**

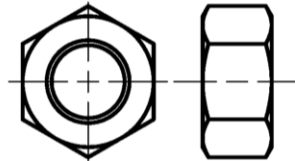
Size: M10, M12, M16, M20, M24



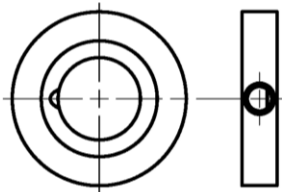
**Washer**



**Hexagon nut**



**fischer filling disk FFD**



Pictures not to scale

fischer Highbond-Anchor FHB II

### System description

Overview system components part 2;  
Anchor rod / washer / hexagon nut / fischer filling disk FFD

**Annex A 4**

Appendix 6 / 22

**Table A5.1: Materials**

Part	Designation	Material		
1	Mortar cartridge	Mortar, hardener, filler		
2	Mortar capsule	Mortar, hardener, filler		
	Steel grade	Steel, zinc plated	Stainless steel A4	High corrosion resistant steel C
3	Fischer Highbond-Anchor rod FHB II - A L or FHB II - A S	Property class 8.8; EN ISO 898-1:2013 zinc plated $\geq 5 \mu\text{m}$ , EN ISO 4042:1999 A2K $f_{uk} \leq 1000 \text{ N/mm}^2$ $A_5 > 12 \%$ fracture elongation	Property class 80 EN ISO 3506-1:2009 1.4401; 1.4404; 1.4578; 1.4571; 1.4439; 1.4362; 1.4062, 1.4662, 1.4462 EN 10088-1:2014 $f_{uk} \leq 1000 \text{ N/mm}^2$ $A_5 > 12 \%$ fracture elongation	Property class 80 EN ISO 3506-1:2009 1.4565; 1.4529 EN 10088-1:2014 $f_{uk} \leq 1000 \text{ N/mm}^2$ $A_5 > 12 \%$ fracture elongation
4	Washer ISO 7089:2000	zinc plated $\geq 5 \mu\text{m}$ EN ISO 4042:1999 A2K	1.4401; 1.4404; 1.4578; 1.4571; 1.4439; 1.4362; EN 10088-1:2014	1.4565;1.4529 EN 10088-1:2014
5	Hexagon nut	Property class 8; EN ISO 898-2:2012 zinc plated $\geq 5 \mu\text{m}$ , ISO 4042:1999 A2K	Property class 70 EN ISO 3506-1:2009 1.4401; 1.4404; 1.4578; 1.4571; 1.4439; 1.4362; EN 10088-1:2014	Property class 70 EN ISO 3506-1:2009 1.4565; 1.4529 EN 10088-1:2014
6	fischer filling disk FFD similar to DIN 6319-G	zinc plated $\geq 5 \mu\text{m}$ , EN ISO 4042:1999 A2K	1.4401; 1.4404; 1.4578; 1.4571; 1.4439; 1.4362; EN 10088-1:2014	1.4565;1.4529 EN 10088-1:2014

fischer Highbond-Anchor FHB II

**System description**  
Materials

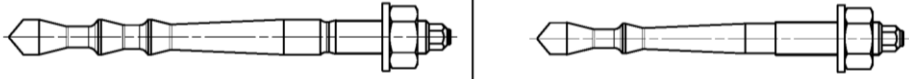


**Annex A 5**

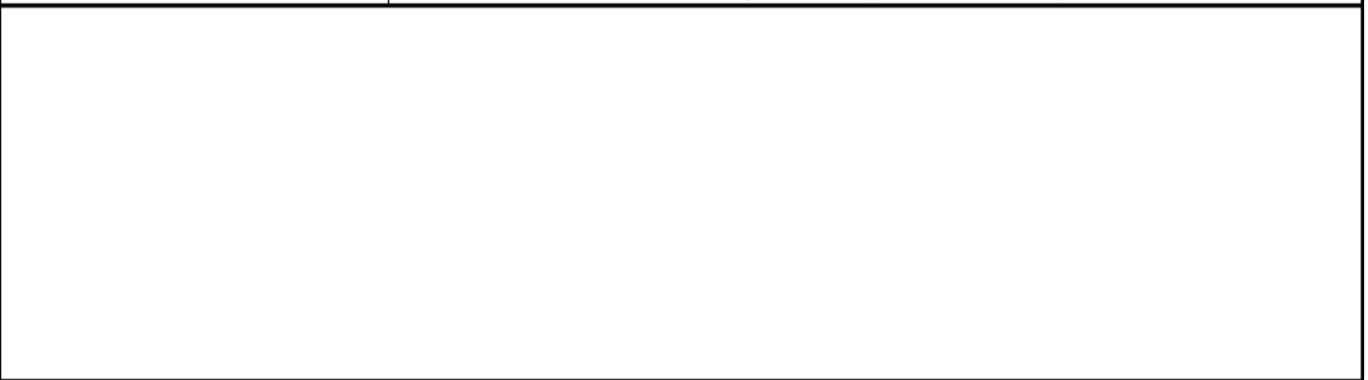
Appendix 7 / 22



# Specifications of intended use (part 1)

**Table B1.1:** Overview use and performance categories

Anchorage subject to		<b>fischer injection mortar FIS HB or fischer mortar capsule FHB II-P or FHB II-PF with ...</b>			
		<b>FHB II – A L</b>		<b>FHB II – A S</b>	
					
Hammer drilling with standard drill bit		all sizes			
Hammer drilling with hollow drill bit (Heller "Duster Expert" or Bosch "SpeedClean" or Hilti "TE-CD, TE-YD")		Nominal drill bit diameter ( $d_0$ ) $\geq$ 12 mm			
Static or quasi static load, in	uncracked concrete	all sizes	Tables: C1.1, C3.1, C5.1	all sizes	Tables: C2.1, C4.1, C6.1
	cracked concrete				
Use category	dry or wet concrete	all sizes			
	flooded hole	all sizes (only with mortar capsule allowed)			
Kind of installation	Pre-positioned anchor	all sizes			
	Push through anchor	all sizes (only with injection mortar FIS HB allowed)		all sizes	
Installation temperature	-5 C to +40 C				
In-service temperature	-40°C to +80°C (max. short term temperature +80 °C and max. long term temperature +50 °C)				



fischer Highbond-Anchor FHB II	<b>Annex B 1</b> Appendix 8 / 22
Intended use Specifications (part 1)	

## Specifications of intended use (part 2)

### Base materials:

- Reinforced or unreinforced normal weight concrete Strength classes C20/25 to C50/60 according to EN 206-1:2000

### Use conditions (Environmental conditions):

- Structures subject to dry internal conditions  
(zinc coated steel, stainless steel or high corrosion resistant steel)
- Structures subject to external atmospheric exposure (including industrial and marine environment) and to permanently damp internal condition, if no particular aggressive conditions exist  
(stainless steel or high corrosion resistant steel)
- Structures subject to external atmospheric exposure, to permanently damp internal conditions or in other particular aggressive conditions (high corrosion resistant steel)

Note: Particular aggressive conditions are e.g. permanent, alternating immersion in seawater or the splash zone of seawater, chloride atmosphere of indoor swimming pools or atmosphere with extreme chemical pollution (e.g. in desulphurization plants or road tunnels where de-icing materials are used)

### Design:

- Anchorages have to be designed by a responsible engineer with experience of concrete anchor design
- Verifiable calculation notes and drawings are to be prepared taking account of the loads to be anchored. The position of the anchor is indicated on the design drawings (e.g. position of the anchor relative to reinforcement or to supports, etc.)
- Anchorages under static or quasi-static actions are designed in accordance with:  
EOTA ETAG 001 Annex C, 08/2010 or CEN/TS 1992-4:2009

### Installation:

- Anchor installation is to be carried out by appropriately qualified personnel and under the supervision of the person responsible for technical matters of the site
- In case of aborted hole: The hole shall be filled with mortar
- Observe the effective anchorage depth
- Overhead installation is allowed

fischer Highbond-Anchor FHB II

**Intended Use**  
Specifications (part 2)

**Annex B 2**

Appendix 9 / 22

**Table B3.1:** Installation parameters for fischer Highbond - Anchor rods FHB II – A L

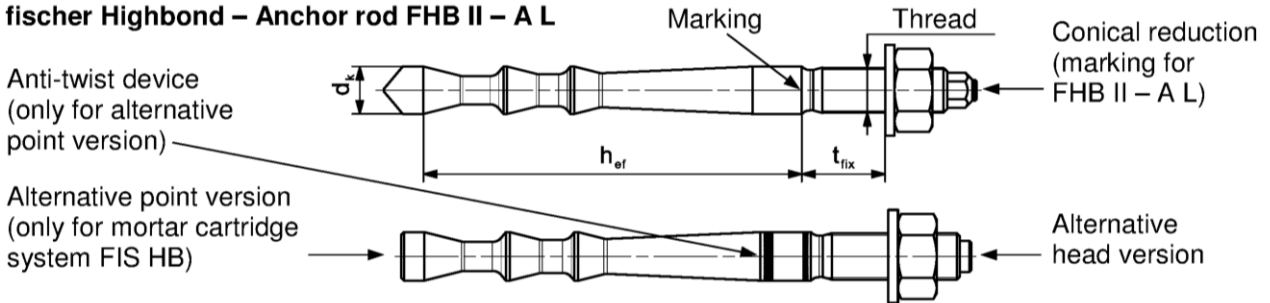
Anchor rod FHB II – A L	Thread	M8x		M10x		M12x		M16x			M20x	M24x	
		60	95	100	120	125	145	160	210	210			
Corresponding mortar capsules <b>FHB II-P</b> or <b>FHB II-PF</b>	[-]	8x 60	10x 95	12x 100	12x 120	16x 125	16x 145	16x 160	20x 210	24x 210			
Cone diameter	$d_k$	9,4		10,7		12,5		16,8			23,0		
Width across flats	SW	13		17		19		24			30	36	
Nominal drill hole diameter	$d_0$	10		12		14		18			25		
Drill hole depth	$h_0$	75		110		115		135		140	160	175	
Effective anchorage depth	$h_{ef}$	60		95		100		120		125	145	160	
Minimum spacing and minimum edge distance	$s_{min} = c_{min}$	[mm]		40		50		55		60	70		
Diameter of clearance hole in the fixture <sup>1)</sup>	pre-positioned anchorage	$d_f \leq$		9		12		14		18			
	push through anchorage <sup>2)</sup>	$d_f \leq$		11		14		16		20			
Min. thickness of concrete member	$h_{min}$	100		140		170		190		220		280	
Installation torque	$T_{inst}$	[Nm]		15		20		40		60			
Thickness of fixture	$t_{fix} \leq$	1500											
fischer filling disk FFD <sup>3)</sup>	$\geq d_a$	[mm]		-		26		30		38		46	54
	$t_s$	-		6		6		7		8		10	

<sup>1)</sup> For larger clearance holes in the fixture see EOTA ETAG 001 Annex C, 08/2010 or CEN/TS 1992-4-:2009

<sup>2)</sup> Only with mortar cartridge system FIS HB

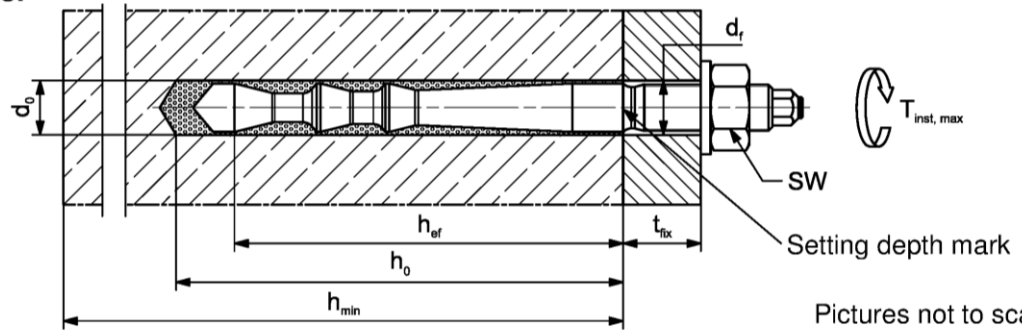
<sup>3)</sup> Using fischer filling disk FFD reduces  $t_{fix}$  (usable length of the anchor)

**fischer Highbond – Anchor rod FHB II – A L**



**Marking:** work symbol, size of anchor, setting depth. e.g.: M10x95  
 For stainless steel additional **A4**. For high corrosion resistant steel additional **C**.  
 For high corrosion resistant steel additional marking **C** also on the face side

**Installation conditions:**



Pictures not to scale

fischer Highbond-Anchor FHB II

**Intended Use**

Installation parameters fischer Highbond-Anchor rod FHB II – A L

**Annex B 3**

Appendix 10 / 22

**Table B4.1:** Installation parameters for fischer Highbond – Anchor rods FHB II – A S

Anchor rod FHB II – A S	Thread	M10x		M12x	M16x	M20x	M24x	
		60	75	75	95	170	170	
Corresponding mortar capsules <b>FHB II-P</b> or <b>FHB II-PF</b>	[-]	10x60	10x75	12x75	16x95	20x170	24x170	
Cone diameter $d_k$	[mm]	9,4		11,3	14,5	23,0		
Width across flats SW		17		19	24	30	36	
Nominal drill hole diameter $d_0$		10		12	16	25		
Drill hole depth $h_0$		75	90	90	110	190		
Effective anchorage depth $h_{ef}$		60	75	75	95	170		
Minimum spacing and minimum edge distance $s_{min} = c_{min}$		40			50	80		
Diameter of clearance hole in the fixture <sup>1)</sup>		pre-positioned anchorage $d_f \leq$	12		14	18	22	26
		push through anchorage $d_f \leq$	12		14	18	26	
Min. thickness of concrete member $h_{min}$		100	120		150	240		
Installation torque $T_{inst}$	[Nm]	15		30	50	100		
Thickness of fixture $t_{fix} \leq$		1500						
fischer filling disk FFD <sup>2)</sup>	$\geq d_a$	26		30	38	46	54	
	$t_s$	6		6	7	8	10	

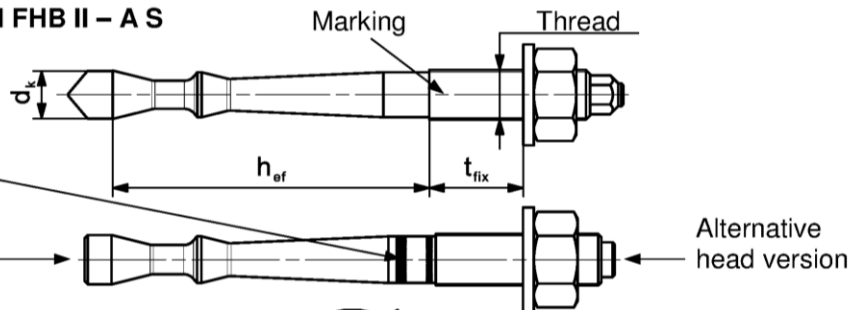
<sup>1)</sup> For larger clearance holes in the fixture see EOTA ETAG 001 Annex C, 08/2010 or CEN/TS 1992-4-:2009

<sup>2)</sup> Using fischer filling disk FFD reduces  $t_{fix}$  (usable length of the anchor)

**fischer Highbond – Anchor rod FHB II – A S**

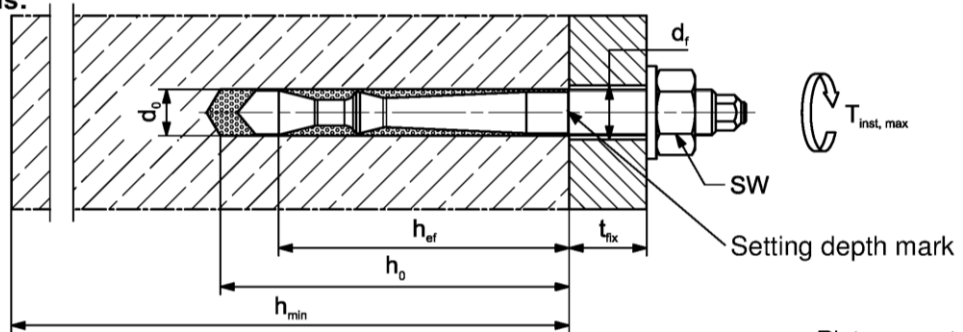
Anti-twist device  
(only for alternative point version)

Alternative point version  
(only for mortar cartridge system FIS HB)



**Marking:** work symbol, size of anchor, setting depth. e.g.: M10x75  
For stainless steel additional **A4**. For high corrosion resistant steel additional **C**.  
For high corrosion resistant steel additional marking **C** also on the face side

**Installation conditions:**



Pictures not to scale

fischer Highbond-Anchor FHB II

**Intended Use**

Installation parameters fischer Highbond-Anchor rod FHB II – A S

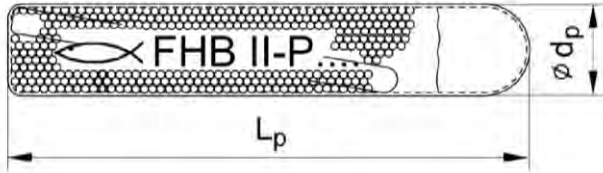
**Annex B 4**

Appendix 11 / 22

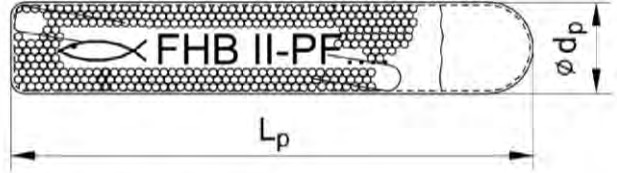
**Table B5.1:** Dimensions of mortar capsules FHB II-P and FHB II-PF

Mortar capsule		8x		10x		12x		16x			20x		24x		
		60	60	75	95	75	100	120	95	125	145	160	170	210	170
Length of capsule	$L_p$	85		90	115	95	120		150	155		185	210	185	210
Diameter of capsule	$\varnothing d_p$	9			11		12,5	14,5	17			21,5			

**FHB II-P (standard)**




**FHB II-PF (fast curing)**



**Imprint:** work symbol, marking, anchor size and effective anchorage depth.

e.g.:  FHB II-P 12x100 or

 FHB II-PF 12x100

**Table B5.2:** Parameters of the cleaning brush BS (steel brush)  
(only when using injection mortar)

The size of the steel brush refers to the nominal drill hole diameter

Drill hole diameter	$d_o$	[mm]	10	12	14	16	18	25
Brush diameter	$d_b$		11	13	16	20		27



Pictures not to scale

fischer Highbond-Anchor FHB II

**Intende use**

Dimensions of mortar capsules; parameters of the cleaning brush

**Annex B 5**

Appendix 12 / 22

**Table B6.1:** Maximum processing time of the mortar **FIS HB** and minimum curing time (During the curing time of the mortar the concrete temperature may not fall below the listed minimum temperature)

System temperature [°C]	Maximum processing time $t_{work}$	Minimum curing time <sup>1)</sup> $t_{cure}$
-5 to -1	---	6 h
0 to +4	---	3 h
> +5 to +9	15 min	90 min
> +10 to +19	6 min	35 min
> +20 to +29	4 min	20 min
> +30 to +40	2 min	12 min

<sup>1)</sup> In wet concrete the curing times must be doubled

**Table B6.2:** Minimum curing time for mortar capsules **FHB II-P** and **FHB II-PF** (During the curing time of the mortar the concrete temperature may not fall below the listed minimum temperature)

Mortar capsule <b>FHB II-P</b> (standard)		Mortar capsule <b>FHB II-PF</b> (fast curing)	
System temperature [°C]	Minimum curing time <sup>1)</sup> $t_{cure}$	System temperature [°C]	Minimum curing time <sup>1)</sup> $t_{cure}$
-5 to ±0	4 h	-5 to ±0	8 min
> +1 to +10	45 min	> +1 to +10	6 min
> +11 to +20	20 min	> +11 to +20	4 min
> +20	10 min	> +20	2 min

<sup>1)</sup> In wet concrete or flooded holes the curing times must be doubled

fischer Highbond-Anchor FHB II


**Intended use**  
Processing times and curing times

**Annex B 6**

Appendix 13 / 22


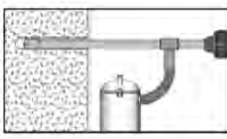
# Installation instructions part 1; Installation with mortar capsule FHB II-P or FHB II-PF

## Drilling the hole (hammer drilling with standard drill bit)

1		<p>Drill the hole with hammer drill.                  Drill hole diameter <math>d_0</math> and drill hole depth <math>h_0</math> see <b>Tables B3.1, B4.1</b>                  Cleaning of the bore hole is not necessary</p>
---	---	---

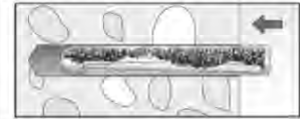
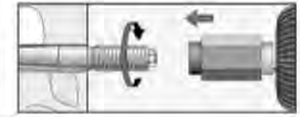
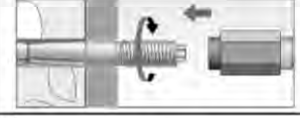
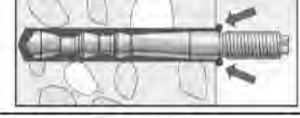


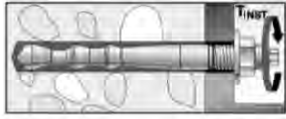

Go to step 3

## Drilling and cleaning the hole (hammer drilling with hollow drill bit)

1		<p>Check a suitable hollow drill (see <b>Table B1.1</b>) for correct operation of the dust extraction</p>
2		<p>Use a suitable dust extraction system, e. g. Bosch GAS 35 M AFC or a comparable dust extraction system with equivalent performance data                  Drill the hole with hollow drill bit. The dust extraction system has to extract the drill dust nonstop during the drilling process and must be adjusted to maximum power.                  Diameter of drill hole <math>d_0</math> and drill hole depth <math>h_0</math> see <b>Tables B3.1, B4.1</b></p>

Go to step 3






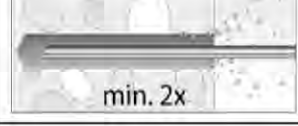


## Installation Highbond-Anchor rod FHB II – A L and FHB II – A S

3		Put the mortar capsule FHB II-P or FHB II-PF into the bore hole
4		<b>Pre-positioned anchor:</b> Only use Highbond-Anchor rods <b>FHB II - A L</b> or <b>FHB II - A S</b> with <b>roof-shaped point</b> . Drive in the Anchor rod using a hammer drill or impact drill. When reaching the setting depth mark stop the drill immediately.
		<b>Push through anchor:</b> Only use Highbond-Anchor rods <b>FHB II - A S</b> with <b>roof-shaped point</b> . Drive in the anchor rod using a hammer drill or impact drill. When reaching the setting depth mark stop the drill immediately.
5		After inserting the anchor, excess mortar must be emerged around the anchor.
5a		For overhead installations support the anchor rod with wedges. (e.g. fischer centering wedges)
6		Wait for the specified curing time $t_{cure}$ see <b>Table B.2</b>
7		Mounting the fixture $T_{inst}$ see <b>Tables B3.1, B4.1</b>
Option		After the minimum curing time is reached, the gap between anchor and fixture (annular clearance) may be filled with mortar via the fischer filling disc FFD. compressive strength $\geq 50 \text{ N/mm}^2$ (e.g. FIS HB). ATTENTION: Using fischer filling disc FFD reduces $t_{fix}$ (usable length of the anchor)

fischer Highbond-Anchor FHB II		<b>Annex B 7</b> Appendix 14 / 22
<b>Intended use</b> Installation instructions part 1; Installation with mortar capsule		


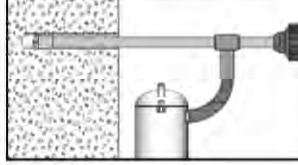
## Installation instructions part 2; Installation with injection mortar FIS HB

### Drilling and cleaning the hole (hammer drilling with standard drill bit)

1		<p>Drill the hole with hammer drill. Drill hole diameter <math>d_0</math> and drill hole depth <math>h_0</math> see <b>Tables B3.1, B4.1</b></p>
2	 <p>min. 2x</p>	<p>Blow out the drill hole twice. If necessary, remove standing water out of the bore hole</p>
3		<p>For drill hole diameter <math>d_0 &lt; 25</math> mm with hand-blowout or oil-free compressed air</p>
3	 <p>min. 2x</p>	<p>Brush the bore hole twice. Corresponding brushes see <b>Table B5.2</b></p> 
4	 <p>min. 2x</p>	<p>Blow out the drill hole twice</p>
4		<p>For drill hole diameter <math>d_0 &lt; 25</math> mm with hand-blowout or oil-free compressed air</p>
		<p>For drill hole diameter <math>d_0 = 25</math> mm with oil-free compressed air (<math>p \geq 6</math> bar) Use a cleaning nozzle</p> 

Go to step 5

### Drilling and cleaning the hole (hammer drilling with hollow drill bit)

1		<p>Check a suitable hollow drill (see <b>Table B1.1</b>) for correct operation of the dust extraction</p>
2		<p>Use a suitable dust extraction system, e. g. Bosch GAS 35 M AFC or a comparable dust extraction system with equivalent performance data. Drill the hole with hollow drill bit. The dust extraction system has to extract the drill dust nonstop during the drilling process and must be adjusted to maximum power. Diameter of drill hole <math>d_0</math> and drill hole depth <math>h_0</math> see <b>Tables B3.1, B4.1</b></p>

Go to step 5

fischer Highbond-Anchor FHB II

#### Intended use

Installation instructions part 2; Installation with injection mortar

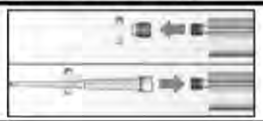


**Annex B 8**

Appendix 15 / 22

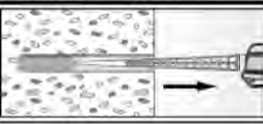

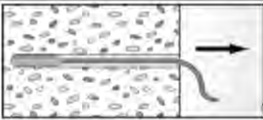


## Installation instruction part 3; Installation with injection mortar FIS HB

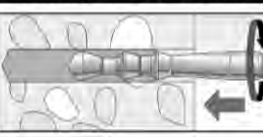
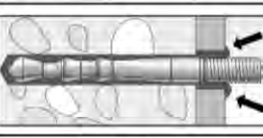


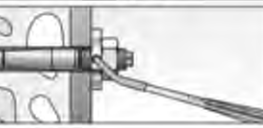
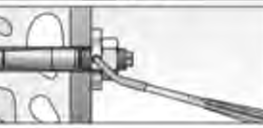
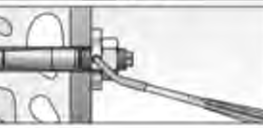
### Preparing the cartridge

5		<p>Remove the sealing cap Screw on the static mixer (the spiral in the static mixer must be clearly visible)</p>
6		<p>Place the cartridge into the dispenser</p>
7		<p>Extrude approximately 10 cm of material until the resin is evenly grey in colour. Do not use mortar that is not uniformly grey</p>

### Injection of the mortar

8		<p>Fill approximately 2/3 of the drill hole with mortar. Exact quantity of mortar (travel scale on the cartridge) see instruction sheet. Fill the drill hole with mortar, always begin from the bottom of the hole to avoid bubbles</p>
		<p><b>Push-through installation:</b> By using Highbond-Anchor rods <b>FHB II - AL</b> the drill hole in the fixture must be also filled with mortar. By using Highbond-Anchor rods <b>FHB II - AS</b> is this not necessary.</p>
		<p>For drill hole depth <math>\geq 170</math> mm use an extension tube</p>

### Installation Highbond-Anchor rod FHB II – A L and FHB II – A S

9		<p>Only use clean and oil-free anchor rods. Push the anchor rod down to the bottom of the hole, turning it slightly while doing so.</p>	
10		<p>After inserting the anchor rod <b>FHB II - AL</b>, surplus mortar must be escaped from the fixture. After inserting the anchor rod <b>FHB II - AS</b>, surplus mortar must be escaped from the bore hole or must be visible in the fixture.</p>	
		<p>For overhead installations support the anchor rod with wedges. (e.g. fischer centering wedges)</p> 	
11		<p>Wait for the specified curing time <math>t_{cure}</math> see <b>Table B6.1</b></p>	<p>12  Mounting the fixture <math>T_{inst}</math> see <b>Tables B3.1, B4.1</b></p>
Option		<p>After the minimum curing time is reached, the gap between anchor and fixture (annular clearance) may be filled with mortar via the fischer filling disc FFD. compressive strength <math>\geq 50</math> N/mm<sup>2</sup> (e.g. FIS HB). ATTENTION: Using fischer filling disc FFD reduces <math>t_{fix}</math> (usable length of the anchor)</p>	

fischer Highbond-Anchor FHB II

#### Intended use

Installation instructions part 3; Installation with injection mortar

**Annex B 9**

Appendix 16 / 22

**Table C1.1:** Characteristic values under static and quasi-static **tension load** for **fischer Highbond-Anchor FHB II – A L**

Anchor rod FHB II – A L			M8x	M10x	M12x		M16x			M20x	M24x	
			60	95	100	120	125	145	160	210	210	
<b>Bearing capacity under tensile load, steel failure</b>												
Characteristic resistance $N_{Rk,s}$	Steel, zinc plated	[kN]	25,1	34,4	49,8		96,6			137,6		
	Stainless steel A4		25,1	34,4	49,8		96,6			137,6		
	High corrosion resistant steel C		25,1	34,4	49,8		96,6			137,6		
<b>Partial safety factors<sup>1)</sup></b>												
Partial safety factor $\gamma_{Ms,N}$	Steel, zinc plated	[-]					1,5 <sup>1)</sup>					
	Stainless steel A4						1,5 <sup>1)</sup>					
	High corrosion resistant steel C						1,5 <sup>1)</sup>					
<b>Pullout failure in cracked concrete C20/25</b>												
Characteristic resistance	$N_{Rk,p}$	[kN]	--- <sup>3)</sup>									
<b>Pullout and splitting failure in uncracked concrete C20/25</b>												
Characteristic resistance	$N_{Rk,p}$	[kN]	--- <sup>3)</sup>									
Edge distance	$C_{cr,sp}$	[mm]	300	476	380	600	375	500	580	630		
Spacing	$S_{cr,sp}$		150	238	190	300	188	250	290	315		
<b>Pullout and splitting failure in uncracked concrete C20/25</b>												
Characteristic resistance	$N_{Rk,p}$ <sup>2)</sup>	[kN]	20	35	40	50	--- <sup>3)</sup>	75	95	--- <sup>3)</sup>		
Edge distance	$C_{cr,sp}$	[mm]	1,5 $h_{ef}$									
Spacing	$S_{cr,sp}$		3,0 $h_{ef}$									
<b>Factors for the compressive strength of concrete &gt; C20/25</b>												
Increasing factor for $N_{Rk,p}$	C25/30	$\Psi_c$	[-]	1,10								
	C30/37			1,22								
	C35/45			1,34								
	C40/50			1,41								
	C45/55			1,48								
	C50/60			1,55								
<b>Factors acc. to CEN/TS 1992-4:2009 Section 6.2.2.3</b>												
Uncracked concrete	$K_{ucr}$	[-]	10,1									
Cracked concrete	$K_{cr}$		7,2									
<b>Concrete cone failure</b>												
Effective anchorage depth	$h_{ef}$	[mm]	60	95	100	120	125	145	160	210		
Partial safety factor <sup>1) 5)</sup>	$\gamma_{Mc}$	[-]	1,5 <sup>4)</sup>	1,5								

<sup>1)</sup> In absence of other national regulations

<sup>2)</sup> Proof of splitting failure acc. ETAG 001, Annex C, (Section 5.3). Instead of  $N_{Rk,c}^0$  use  $N_{Rk,p}$ .

<sup>3)</sup> Not decisive (proof of splitting failure acc. ETAG 001, Annex C)

<sup>4)</sup> With mortar capsule:  $\gamma_{Mc} = 1,8$

<sup>5)</sup>  $\gamma_2 = 1,0$  is included

fischer Highbond-Anchor FHB II

**Performances**

Characteristic values under static and quasi-static tension load for fischer Highbond-Anchor FHB II – A L

**Annex C 1**

Appendix 17 / 22

**Table C2.1:** Characteristic values under static and quasi-static **tension load** for **fischer Highbond-Anchor FHB II – A S**

Anchor rod FHB II – A S		M10x		M12x	M16x	M20x	M24x
		60	75	75	95	170	170
<b>Bearing capacity under tensile load, steel failure</b>							
Characteristic resistance $N_{Rk,s}$	Steel, zinc plated	[kN]	25,1	34,4	61,6	128,5	
	Stainless steel A4		25,1	34,4	61,6	128,5	
	High corrosion resistant steel C						
<b>Partial safety factors<sup>1)</sup></b>							
Partial safety factor $\gamma_{Ms,N}$	Steel, zinc plated	[-]	1,5 <sup>1)</sup>				
	Stainless steel A4		1,5 <sup>1)</sup>				
	High corrosion resistant steel C		1,5 <sup>1)</sup>				
<b>Pullout failure in cracked concrete C20/25</b>							
Characteristic resistance	$N_{Rk,D}$	[kN]	--- <sup>3)</sup>				
<b>Pullout and splitting failure in uncracked concrete C20/25</b>							
Characteristic resistance	$N_{Rk,D}$	[kN]	--- <sup>3)</sup>				
Edge distance	$c_{cr,sp}$	[mm]	300		340	510	
Spacing	$s_{cr,sp}$		150		170	255	
<b>Pullout and splitting failure in uncracked concrete C20/25</b>							
Characteristic resistance	$N_{Rk,p}$ <sup>2)</sup>	[kN]	20	25	40	--- <sup>3)</sup>	
Edge distance	$c_{cr,sp}$	[mm]	1,5 $h_{ef}$				
Spacing	$s_{cr,sp}$		3,0 $h_{ef}$				
<b>Factors for the compressive strength of concrete &gt; C20/25</b>							
Increasing factor for $N_{Rk,p}$	C25/30	$\Psi_c$	[-]	1,10			
	C30/37			1,22			
	C35/45			1,34			
	C40/50			1,41			
	C45/55			1,48			
	C50/60			1,55			
<b>Factors acc. to CEN/TS 1992-4:2009 Section 6.2.2.3</b>							
Uncracked concrete	$k_{ucr}$	[-]	10,1				
Cracked concrete	$k_{cr}$		7,2				
<b>Concrete cone failure</b>							
Effective anchorage depth	$h_{ef}$	[mm]	60	75	95	170	
Partial safety factor <sup>1) 5)</sup>	$\gamma_{Mc}$	[-]	1,5 <sup>4)</sup>	1,5			

<sup>1)</sup> In absence of other national regulations

<sup>2)</sup> Proof of splitting failure acc. ETAG 001, Annex C, (Section 5.3). Instead of  $N_{Rk,c}^0$  use  $N_{Rk,p}$ .

<sup>3)</sup> Not decisive (proof of splitting failure acc. ETAG 001, Annex C)

<sup>4)</sup> With mortar capsule:  $\gamma_{Mc} = 1,8$

<sup>5)</sup>  $\gamma_2 = 1,0$  is included

fischer Highbond-Anchor FHB II

**Performances**

Characteristic values under static and quasi-static tension load for fischer Highbond-Anchor FHB II – A S

**Annex C 2**

Appendix 18 / 22

<b>Table C3.1: Characteristic values under static and quasi-static shear load for fischer Highbond-Anchor FHB II – A L</b>											
Anchor rod FHB II – A L			M8x 60	M10x 95	M12x 100   120		M16x 125   145   160		M20x 210	M24x 210	
<b>Bearing capacity under shear load, steel failure</b>											
<b>without lever arm</b>											
Characteristic resistance	Steel, zinc plated	$V_{Rk,s}$	[kN]	13,7	20,8	30,3		56,3		87,9	126,9
	Stainless steel A4 and High corrosion resistant steel C			15,2	23,2	33,7		62,7		97,9	141
<b>with lever arm</b>											
Characteristic bending moment	Steel, zinc plated	$M^0_{Rk,s}$	[Nm]	31	62	105		266		519	896
	Stainless steel A4 and High corrosion resistant steel C			31	62	105		266		519	896
<b>Partial safety factors</b>											
Partial safety factors <sup>1)</sup>	$\gamma_{Ms,V}$	[-]	1,25								
Ductility factor acc. to CEN/TS 1992-4-5:2009 Section 6.3.2.1	$k_2$	[-]	1,0								
<b>Concrete pry-out failure</b>											
Factor k acc. TR029 Section 5.2.3.3 or $k_3$ acc. CEN/TS 1992-4-5:2009 Section 6.3.3	$k_{(3)}$	[-]	2,0								
Partial safety factors <sup>1)</sup>	$\gamma_{Mcd}$		1,5								
<b>Concrete edge failure</b>											
Effective length of anchor	$l_f$	[mm]	60	95	100	112	125	144		200	
Calculation diameter	$d$		10	12	14		18		25		
Partial safety factor <sup>1)</sup>	$\gamma_{Mc}$	[-]	1,5								
<sup>1)</sup> In absence of other national regulations											
fischer Highbond-Anchor FHB II											
<b>Performances</b> Characteristic values under static and quasi-static shear load for fischer Highbond-Anchor FHB II – A L											
<b>Annex C 3</b> Appendix 19 / 22											

**Table C4.1:** Characteristic values under static and quasi-static **shear load** for **fischer Highbond-Anchor FHB II – A S**

Anchor rod FHB II – A S		M10x		M12x	M16x	M20x	M24x	
		60	75	75	95	170	170	
<b>Bearing capacity under shear load, steel failure</b>								
<b>Without lever arm</b>								
Characteristic resistance	Steel, zinc plated	$V_{Rk,s}$	[kN]	19,7	27,3	50,8	80,3	114,2
	Stainless steel A4			24,1	33,7	62,7	97,9	124,5
	High corrosion resistant steel C			24,1	33,7	62,7	97,9	141
<b>With lever arm</b>								
Characteristic bending moment	Steel, zinc plated	$M^0_{Rk,s}$	[Nm]	62	105	266	519	896
	Stainless steel A4 and High corrosion resistant steel C			62	105	266	519	896
<b>Partial safety factors</b>								
Partial safety factor <sup>1)</sup>	$\gamma_{Ms,V}$	[-]					1,25	
Ductility factor acc. to CEN/TS 1992-4-5:2009 Section 6.3.2.1	$k_2$	[-]					1,0	
<b>Concrete pryout failure</b>								
Factor k acc. TR029 Section 5.2.3.3 or $k_3$ acc. CEN/TS 1992-4-5:2009 Section 6.3.3	$k_{(3)}$	[-]					2,0	
Partial safety factor <sup>1)</sup>	$\gamma_{Mcp}$	[-]					1,5	
<b>Concrete edge failure</b>								
Effective length of anchor	$l_f$	[mm]	60	75	95		170	
Calculation diameter	d		10	12	16		25	
Partial safety factor <sup>1)</sup>	$\gamma_{Mc}$	[-]					1,5	
<sup>1)</sup> In absence of other national regulations								
fischer Highbond-Anchor FHB II							<b>Annex C 4</b> Appendix 20 / 22	
<b>Performances</b> Characteristic values under static and quasi-static shear load for fischer Highbond-Anchor FHB II – A S								

**Table C5.1: Displacement for fischer Highbond-Anchor FHB II – A L**

Anchor rod FHB II – A L	M8x	M10x	M12x		M16x			M20x	M24x
	60	95	100	120	125	145	160	210	210
<b>Displacement under tension load</b>									
<b>Cracked concrete</b>									
Tension load [kN]	6,6	15,9	17,1	22,5	24,0	30,0	34,7	52,2	52,2
$\delta_{N0}$ [mm]	0,8				0,6				
$\delta_{N\infty}$	1,7								
<b>Uncracked concrete</b>									
Tension load [kN]	9,3	22,3	24,0	31,6	33,6	42,0	48,7	73,2	73,2
$\delta_{N0}$ [mm]	0,2	0,4						0,6	
$\delta_{N\infty}$	1,7								
<b>Displacement under shear load</b>									
<b>Uncracked or cracked concrete</b>									
<b>Steel zinc plated</b>									
Shear load [kN]	7,8	11,9	17,3		32,2			50,2	72,5
$\delta_{V0}$ [mm]	1,2		1,3			3,5			
$\delta_{V\infty}$	1,8		2,0			5,3			
<b>Stainless steel A4</b>									
Shear load [kN]	8,7	13,3	19,3		35,8			55,9	80,6
$\delta_{V0}$ [mm]	1,0		1,1		2,2			3,5	
$\delta_{V\infty}$	1,5		1,7		3,3			5,3	
<b>High corrosion resistant steel C</b>									
Shear load [kN]	8,7	13,3	19,3		35,8			55,9	80,6
$\delta_{V0}$ [mm]	1,2		1,3		2,4			3,7	
$\delta_{V\infty}$	1,8		2,0		3,6			5,6	

fischer Highbond-Anchor FHB II

**Performances**

Displacement for fischer Highbond-Anchor FHB II – A L

**Annex C 5**

Appendix 21 / 22

**Table C6.1:** Displacement for **fischer Highbond-Anchor FHB II – A S**

Anchor rod FHB II – A S		M10x		M12x	M16x	M20x	M24x	
		60	75	75	95	170	170	
<b>Displacement under tension load</b>								
<b>Cracked concrete</b>								
Tension load	[kN]	6,6	11,1	15,9	38,0			
$\delta_{N0}$	[mm]	0,8	0,3	0,4	0,6			
$\delta_{N\infty}$		1,7						
<b>Uncracked concrete</b>								
Tension load	[kN]	9,3	15,6	22,3	53,3			
$\delta_{N0}$	[mm]	0,2				0,5		
$\delta_{N\infty}$		1,7						
<b>Displacement under shear load</b>								
<b>Cracked or uncracked concrete</b>								
<b>Steel zinc plated</b>								
Shear load	[kN]	11,3	12,7	29,0	45,9	65,3		
$\delta_{V0}$	[mm]	1,2	1,5	2,8				
$\delta_{V\infty}$		1,8	2,3	4,2				
<b>Stainless steel A4</b>								
Shear load	[kN]	13,8	19,3	35,8	55,9	71,1		
$\delta_{V0}$	[mm]	1,0	1,1	2,2	3,5			
$\delta_{V\infty}$		1,5	1,7	3,3	5,3			
<b>High corrosion resistant steel C</b>								
Shear load	[kN]	13,8	19,3	35,8	55,9	80,6		
$\delta_{V0}$	[mm]	1,2	1,3	2,4	3,7	5,0		
$\delta_{V\infty}$		1,8	2,0	3,6	5,6	7,5		
fischer Highbond-Anchor FHB II							<b>Annex C 6</b> Appendix 22 / 22	
<b>Performances</b> Displacement for fischer Highbond-Anchor FHB II – A S								