



## DEKLARACJA WŁAŚCIWOŚCI UŻYTKOWYCH

### DoP 0280

dla kotwy fischer Highbond-Anchor FHB / FHB dyn / FDA (Rozprężne łączniki wklejane do zastosowania w betonie)

PL

- Niepowtarzalny kod identyfikacyjny typu wyrobu: DoP 0280
- Zamierzone zastosowanie: Mocowanie w betonie zarysowanym lub niezarysowanym, zobacz załącznik, w szczególności aneksy B1 - B19.
- Producent: fischerwerke GmbH & Co. KG, Klaus-Fischer-Str. 1, 72178 Waldachtal, Niemcy
- Upoważniony przedstawiciel: -
- System(-y) oceny i weryfikacji stałości właściwości użytkowych: 1
- Europejski dokument oceny: EAD 330499-01-0601  
Europejska ocena techniczna: ETA-06/0171; 2021-06-23  
Jednostka ds. oceny technicznej: DIBt- Deutsches Institut für Bautechnik  
Jednostka lub jednostki notyfikowane: 2873 TU Darmstadt
- Deklarowane właściwości użytkowe:  
**Wytrzymałość mechaniczna i stabilność osadzenia (BWR 1)**  
**Nośność charakterystyczna na wrywanie (nośności statyczne i quasi-statyczne):**  
Nośność do uszkodzenia stali: Aneks C1  
Nośność na wrywanie i zniszczenie stożka betonu: Aneks C3  
Nośność do wyrwania stożka betonu: Aneks C2  
Odległość od krawędzi zapobiegająca pękaniu pod obciążeniem: Aneks C2  
Solidność: Aneksy C2, C3  
Moment dokręcania: Aneksy B5 - B8  
Minimalne odstępy osiowe i krawędziowe: Aneksy B5 - B8  
**Nośność charakterystyczna na ścinanie (nośności statyczne i quasi-statyczne):**  
Nośność do uszkodzenia stali: Aneks C1  
Nośność do uszkodzenia wyważenia: Aneks C2  
Nośność do zniszczenia krawędzi betonu: Aneks C2  
**Przemieszczenia pod obciążeniem krótko- i długoterminowym:**  
Przemieszczenia pod obciążeniem krótko- i długoterminowym: Aneks C3  
**Nośność charakterystyczna i przemieszczenia w warunkach sejsmicznych dla kategorii C1 i C2:**  
Nośność na wrywanie, zmiany, kategoria C1: NPD  
Nośność na wrywanie, zmiany kategoria C2: NPD  
Nośność na ścinanie, zmiany, kategoria C1: NPD  
Nośność na ścinanie, zmiany, kategoria C2: NPD  
Współczynnik szczeliny pierścieniowej: NPD  
**Higiena, zdrowie i środowisko (BWR 3)**  
Treść, emisja i / lub uwalnianie substancji niebezpiecznych: NPD
- Odpowiednia dokumentacja techniczna lub specjalna dokumentacja techniczna: -

Właściwości użytkowe określonego powyżej wyrobu są zgodne z zestawem deklarowanych właściwości użytkowych. Niniejsza deklaracja właściwości użytkowych wydana zostaje zgodnie z rozporządzeniem (UE) nr 305/2011 na wyłączną odpowiedzialność producenta określonego powyżej.

W imieniu producenta podpisał(-a):

Dr.-Ing. Oliver Geibig, Dyrektor Zarządzający ds. Jednostek Biznesowych i Inżynierii  
Tumlingen, 2021-06-30

Jürgen Grün, Dyrektor Zarządzający ds. Chemii i Jakości

Niniejsza Deklaracja Właściwości Użytkowych została przygotowana w różnych językach. W razie wątpliwości w interpretacji, wersja angielska jest zawsze miarodajna.

Załącznik zawiera dobrowolne i uzupełniające informacje w języku angielskim (neutralne językowo), a wykraczające poza wymagania prawne.

## Specific Part

### 1 Technical description of the product

The Fischer Highbond-Anchor FHB / FHB dyn / FDA is a bonded expansion fastener consisting of an injection cartridge FIS HB and a steel element. The steel element is made of zinc plated or stainless steel.

The load transfer is realized by mechanical interlock of several cones in the bonding mortar and a combination of bonding and friction forces in the concrete.

The product description is given in Annex A.

### 2 Specification of the intended use in accordance with the applicable European Assessment Document

The performances given in Section 3 are only valid if the anchor is used in compliance with the specifications and conditions given in Annex B.

The verifications and assessment methods on which this European Technical Assessment is based lead to the assumption of a working life of the anchor of at least 50 years. The indications given on the working life cannot be interpreted as a guarantee given by the producer, but are to be regarded only as a means for choosing the right products in relation to the expected economically reasonable working life of the works.

### 3 Performance of the product and references to the methods used for its assessment

#### 3.1 Mechanical resistance and stability (BWR 1)

Essential characteristic	Performance
Characteristic resistance to tension load (static and quasi-static loading)	See Annex C 1 to C 3, B 5 to B 8
Characteristic resistance to shear load (static and quasi-static loading)	See Annex C 1 and C 2
Displacements under short-term and long-term loading	See Annex C 3
Characteristic resistance and displacements for seismic performance categories C1 and C2	No performance assessed

#### 3.2 Hygiene, health and the environment (BWR 3)

Essential characteristic	Performance
Content, emission and/or release of dangerous substances	No performance assessed

**4 Assessment and verification of constancy of performance (AVCP) system applied, with reference to its legal base**

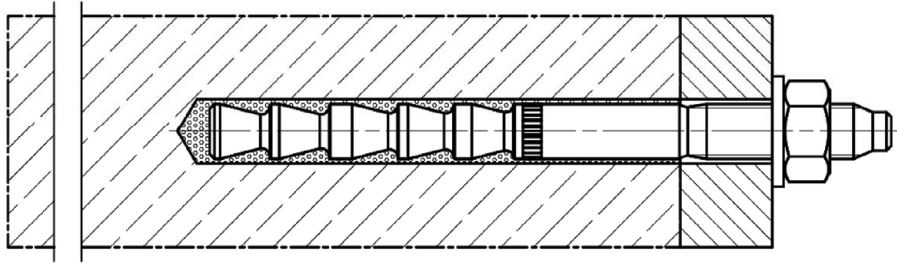
In accordance with the European Assessment Document EAD 330499-01-0601 the applicable European legal act is: [96/582/EC].

The system to be applied is: 1

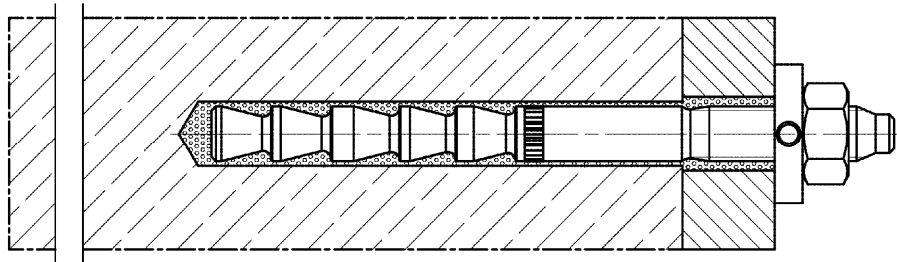
## Installation conditions Part 1, FHB / FHB N

fischer Highbond-Anchor FHB / FHB N with fischer injection system FIS HB

**Pre-positioned installation**



**Pre-positioned or push through installation with subsequently injected fischer filling disc**  
(annular gap filled with mortar)



Figures not to scale

fischer Highbond-Anchor FHB / FHB dyn / FDA

### Product description

Installation conditions part 1, fischer Highbond-Anchor FHB / FHB N

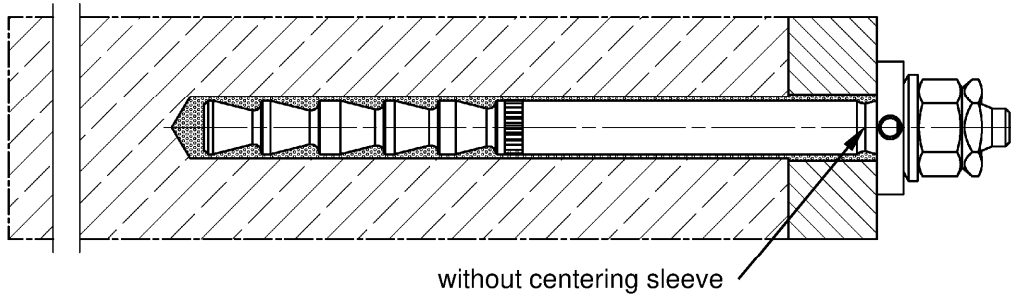
**Annex A 1**

Appendix 3 / 37

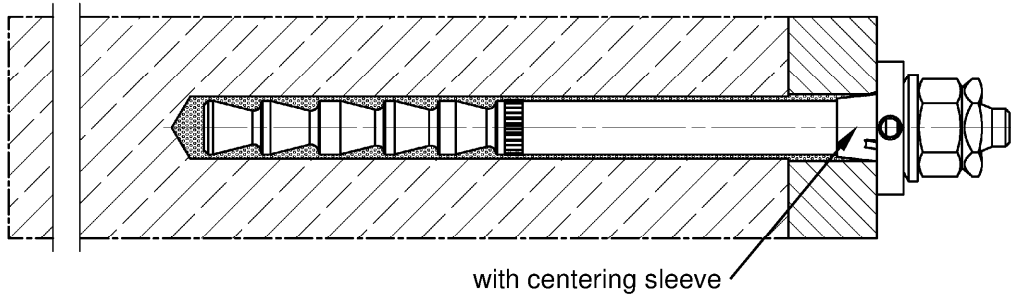
## Installation conditions Part 2, FHB dyn

fischer Highbond-Anchor dynamic FHB dyn with fischer injection system FIS HB

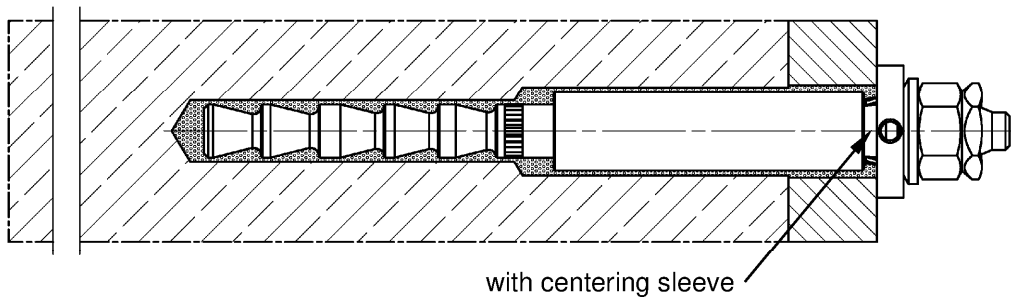
Pre-positioned installation without shear force sleeve, FHB dyn (annular gap filled with mortar)



Push through installation without shear force sleeve, FHB dyn (annular gap filled with mortar)



Push through installation with shear force sleeve, FHB dyn V (annular gap filled with mortar)



Figures not to scale

fischer Highbond-Anchor FHB / FHB dyn / FDA

### Product description

Installation conditions part 2, fischer Highbond-Anchor FHB dyn

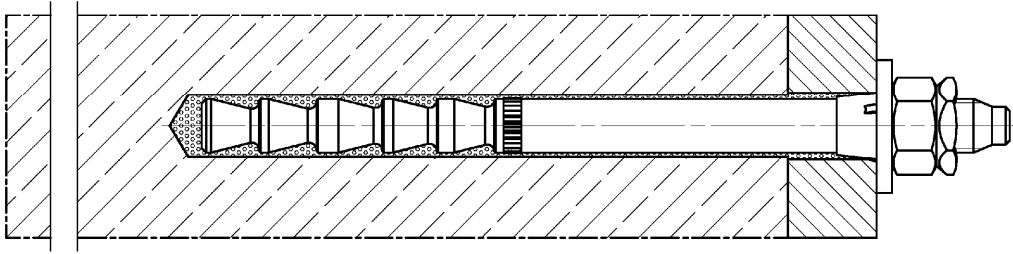
**Annex A 2**

Appendix 4 / 37

## Installation conditions Part 3, FDA

fischer Dynamic-Anchor FDA with fischer injection system FIS HB

Push through installation



Figures not to scale

fischer Highbond-Anchor FHB / FHB dyn / FDA

### Product description

Installation conditions Part 3, fischer Dynamic-Anchor FDA

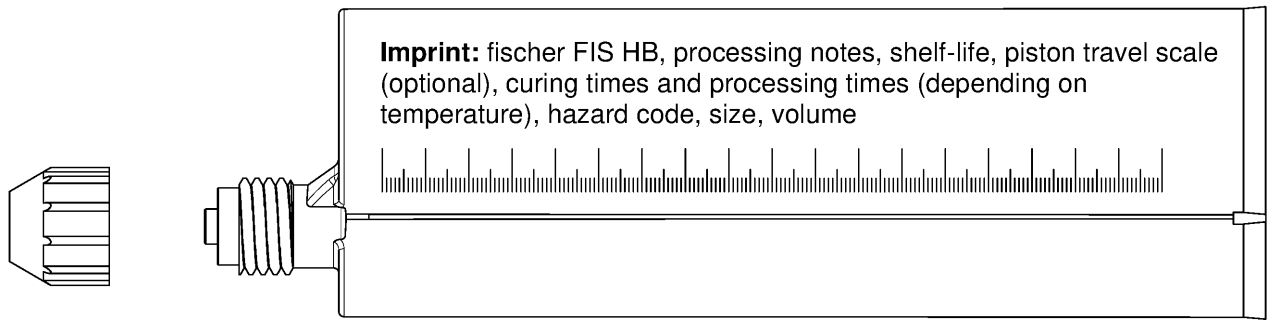
**Annex A 3**

Appendix 5 / 37

## Overview system components part 1

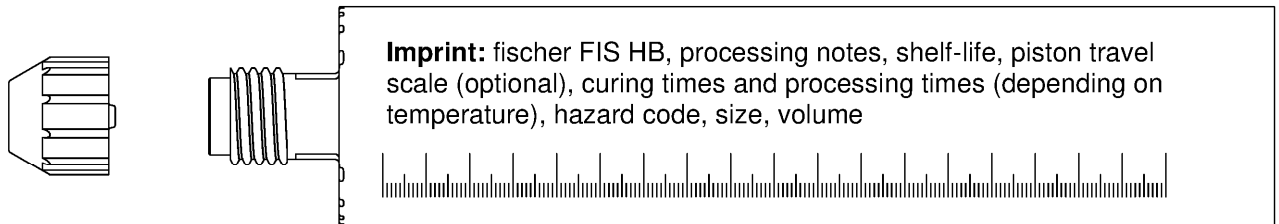
### Injection cartridge (shuttle cartridge) with sealing cap

Size: 345 ml, 360 ml, 825 ml

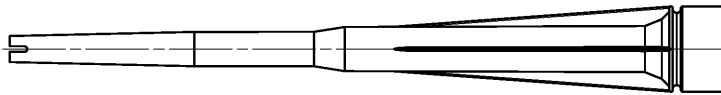


### Injection cartridge (coaxial cartridge) with sealing cap

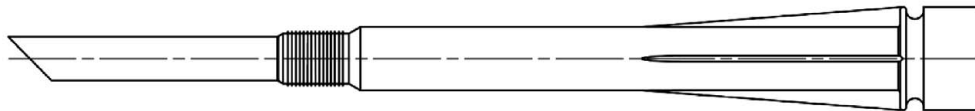
Size: 150 ml, 300 ml, 380 ml, 400 ml, 410 ml



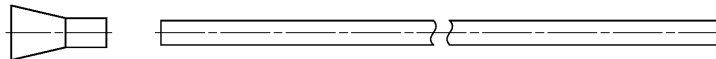
### Static mixer FIS MR Plus for injection cartridges up to 410 ml



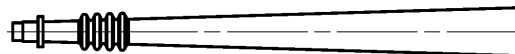
### Static mixer FIS JMR for injection cartridge 825 ml



### Injection adapter and extension tube $\varnothing 9$ for static mixer FIS MR Plus; Injection adapter and extension tube $\varnothing 9$ or $\varnothing 15$ for static mixer FIS JMR



### Injection adapter



Figures not to scale

fischer Highbond-Anchor FHB / FHB dyn / FDA

### Product description

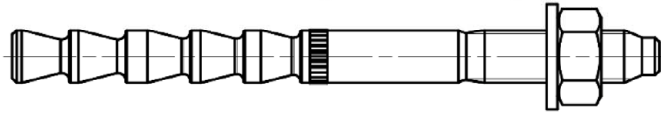
Overview system components part 1  
cartridges / static mixer / accessories

**Annex A 4**

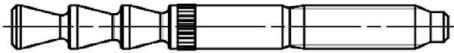
Appendix 6 / 37

## Overview system components part 2

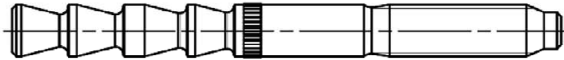
### fischer Highbond-Anchor FHB / FHB N (alternative designation)



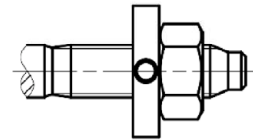
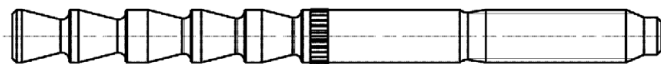
fischer anchor rod FHB-A / FHB-A N; Size: M10x60



fischer anchor rod FHB-A / FHB-A N; Size: M12x80



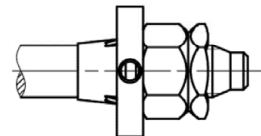
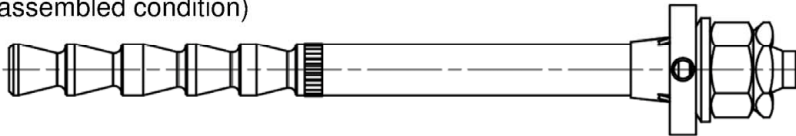
fischer anchor rod FHB-A / FHB-A N; Size: M12x100, M16x125, M20x170, M24x220



alternative version

### fischer Highbond-Anchor dynamic FHB dyn without shear force sleeve

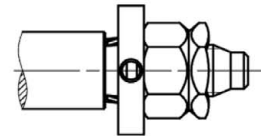
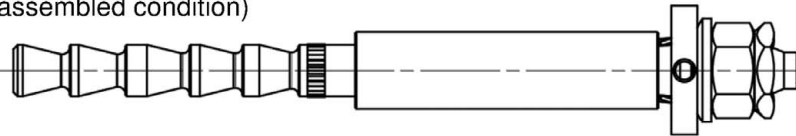
(in assembled condition)



alternative version:  
hexagonal nut with  
spherical contact surface

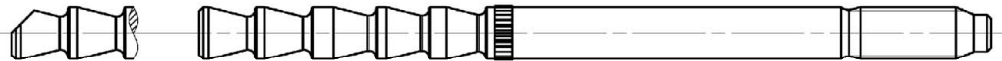
### fischer Highbond-Anchor dynamic FHB dyn V with shear force sleeve

(in assembled condition)

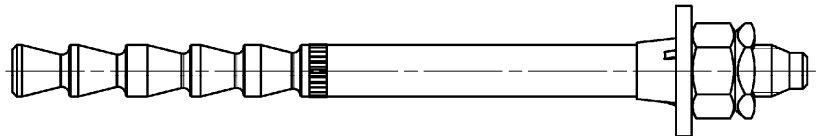


fischer anchor rod FHB-A dyn; Size: M12, M16, M20, M24

alternative

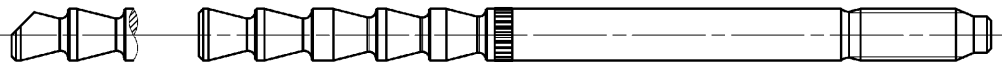


### fischer Dynamic-Anchor FDA



fischer anchor rod FDA-A; Size: M12, M16

alternative



Figures not to scale

fischer Highbond-Anchor FHB / FHB dyn / FDA

#### Product description

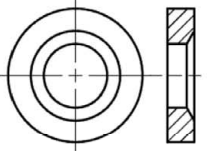
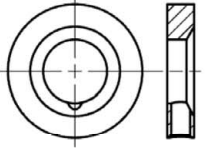
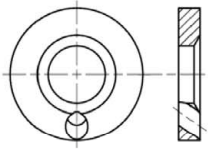
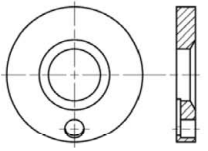
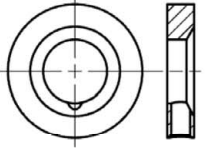
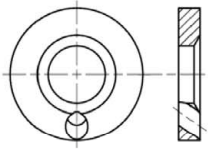
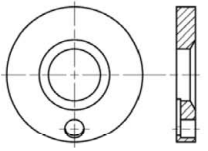
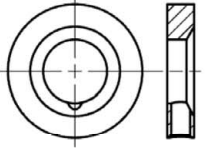
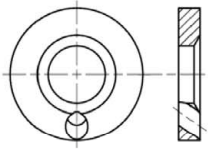
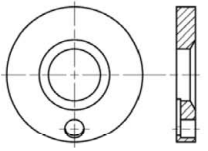
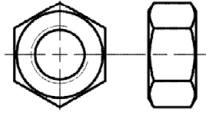
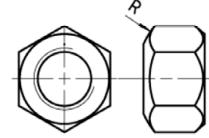
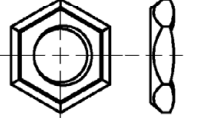
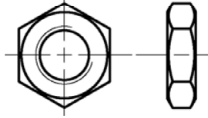
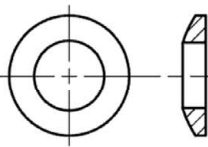
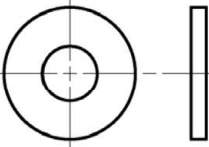
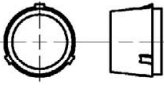
Overview system components part 2  
Metal parts

**Annex A 5**

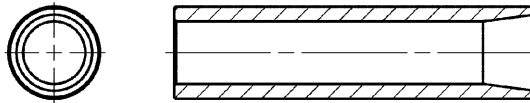
Appendix 7 / 37



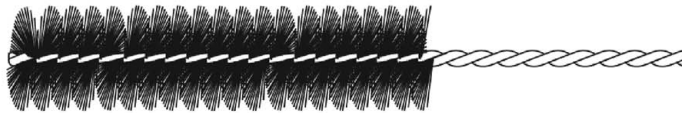
# Overview system components part 3

<p><b>conical washer</b> without drill hole</p> 	<p><b>fischer filling disc (various versions)</b></p> <table border="1"> <tr> <td data-bbox="402 113 743 403"> <p>radial</p>  </td> <td data-bbox="743 113 1084 403"> <p>angular</p>  </td> <td data-bbox="1084 113 1424 403"> <p>axial</p>  </td> </tr> </table>			<p>radial</p> 	<p>angular</p> 	<p>axial</p> 
<p>radial</p> 	<p>angular</p> 	<p>axial</p> 				
<p><b>hexagon nut</b></p> 	<p><b>hexagonal nut with spherical contact surface</b></p> 	<p><b>lock nut</b></p> 	<p><b>hexagon nut, flat</b></p> 			
<p><b>spherical washer</b></p> 	<p><b>washer</b></p> 	<p><b>centering sleeve</b></p>  <p><b>only push through installation; FHB dyn and FDA</b></p>				

**shear force sleeve (only FHB dyn V)**



**cleaning brush BS**



**blow-out pump ABP with cleaning nozzle or ABG**



Figures not to scale

fischer Highbond-Anchor FHB / FHB dyn / FDA

**Product description**

Overview system components part 3  
Metal parts / cleaning brush / blow-out pump

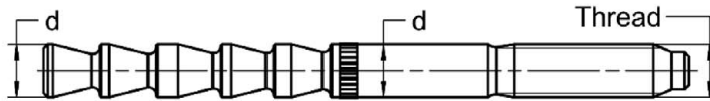
**Annex A 6**

Appendix 8 / 37

**Table A7.1: Dimensions system components, FHB / FHB N**

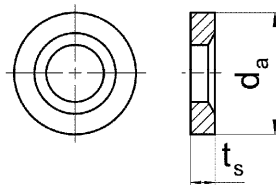
Designation		FHB 10x60	FHB 12x80	FHB 12x100	FHB 16x125	FHB 20x170	FHB 24x220
Thread	[-]	M10	M12	M12	M16	M20	M24
Anchor rod	d	10	12	12	16,5	22	24,5
Conical washer / fischer filling disc	$\geq d_a$	26	30	30	38	46	54
	$t_s$	6	6	6	7	8	10

Anchor rod:



Conical washer /  
fischer filling disc:

(various versions see  
Annex A 6)



Figures not to scale

fischer Highbond-Anchor FHB / FHB dyn / FDA

**Product description**

Dimensions system components, FHB / FHB N

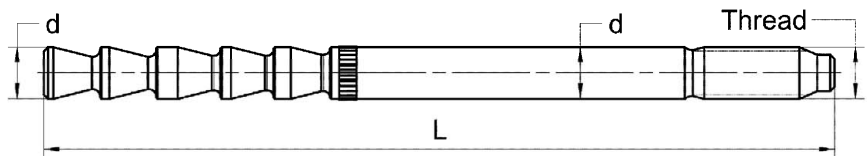
**Annex A 7**

Appendix 9 / 37

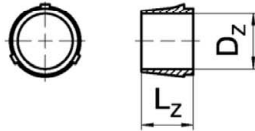
**Table A8.1: Dimensions system components, FHB dyn / FHB dyn V**

Designation		FHB dyn without shear force sleeve				FHB dyn V with shear force sleeve	
		FHB dyn 12x100	FHB dyn 16x125	FHB dyn 20x170	FHB dyn 24x220	FHB dyn 12x100 V	FHB dyn 16x125 V
Thread	[-]	M12	M16	M20	M24	M12	M16
Anchor rod	d	12	16,5	22	24,5	12	16,5
	L <sub>min</sub>	135	168	220	280	140	173
	L <sub>max</sub>	332	365	415	475	337	367
Centering sleeve	D <sub>z</sub>	11,8	16,3	21,8	24,3	11,8	16,3
	L <sub>z</sub>	11	13	15	15	11	13
Conical washer / fischer filling disc	≥ d <sub>a</sub>	30	38	46	54	30	38
	t <sub>s</sub>	6	7	8	10	6	7
Shear force sleeve	L <sub>Q,min</sub>	-	-	-	-	40	55
	L <sub>Q,max</sub>	-	-	-	-	230	245
	D <sub>Q</sub>	-	-	-	-	17,5	23,5

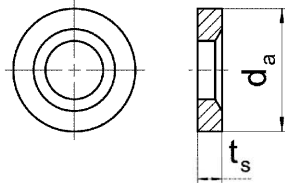
Anchor rod:



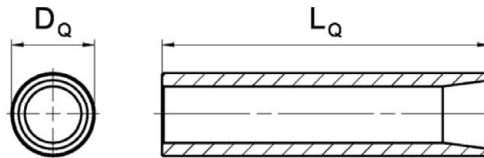
Centering sleeve:  
(only push through installation)



Conical washer / fischer filling disc:  
(various versions see Annex A 6)



Shear force sleeve:  
(only FHB dyn V)



Figures not to scale

fischer Highbond-Anchor FHB / FHB dyn / FDA

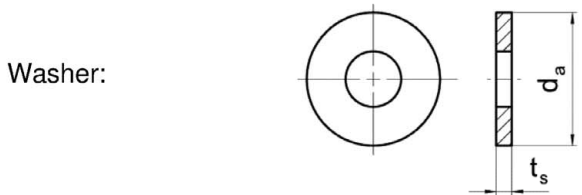
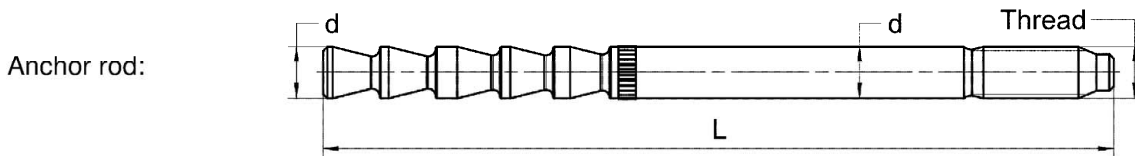
**Product description**  
Dimensions system components, FHB dyn / FHB dyn V

**Annex A 8**

Appendix 10 / 37

**Table A9.1: Dimensions system components, FDA**

Designation		FDA 12x100	FDA 16x125
Thread	[-]	M12	M16
Anchor rod	d	12	16,5
	L <sub>min</sub>	135	168
	L <sub>max</sub>	332	365
Centering sleeve	D <sub>z</sub>	11,8	16,3
	L <sub>z</sub>	11	13
Washer	≥ d <sub>a</sub>	30	40
	t <sub>s,min</sub>	3,5	4
	t <sub>s,max</sub>	7	8



Figures not to scale

fischer Highbond-Anchor FHB / FHB dyn / FDA

**Product description**  
Dimensions system components, FDA

**Annex A 9**

Appendix 11 / 37

**Table A10.1: Materials, FHB / FHB N zinc plated**

Part	Designation	Material		
1	Injection cartridge	Mortar, hardener, filler		
	Steel grade	Steel		
		electroplated (gvz)		hot dip galvanised (hdg)
		M10 to M16	M20 to M24	M10 to M24
2	fischer anchor rod FHB-A and FHB-A N	Property class 5.8 Property class 8.8 EN ISO 898-1:2013 electroplated $\geq 5 \mu\text{m}$ Zn5/An (A2K) acc. to EN ISO 4042:2018 $A_5 > 12\%$ fracture elongation coated	$f_{uk} = 550 \text{ N/mm}^2$ $f_{yk} = 440 \text{ N/mm}^2$ EN ISO 898-1:2013 electroplated $\geq 5 \mu\text{m}$ Zn5/An (A2K) acc. to EN ISO 4042:2018 $A_5 > 12\%$ fracture elongation coated	Property class 8.8 EN ISO 898-1:2013 hot dip galvanised $\geq 40 \mu\text{m}$ EN ISO 10684:2004 $A_5 > 12\%$ fracture elongation varnish layer coated (M16 to M24)
3	Washer ISO 7089:2000	electroplated $\geq 5 \mu\text{m}$ Zn5/An (A2K) acc. to EN ISO 4042:2018		hot dip galvanised $\geq 40 \mu\text{m}$ EN ISO 10684:2004
4	Conical washer or fischer filling disc similar to DIN 6319-G	electroplated $\geq 5 \mu\text{m}$ Zn5/An (A2K) acc. to EN ISO 4042:2018		hot dip galvanised $\geq 40 \mu\text{m}$ EN ISO 10684:2004
5	Hexagon nut	Property class 8 EN ISO 898-2:2012 electroplated $\geq 5 \mu\text{m}$ , Zn5/An (A2K) acc. to EN ISO 4042:2018		Property class 8 EN ISO 898-2:2012 hot dip galvanised $\geq 40 \mu\text{m}$ EN ISO 10684:2004



**Table A11.1: Materials, FHB / FHB N stainless steel**

Part	Designation	Material		
1	Injection cartridge	Mortar, hardener, filler		
	Steel grade	Stainless steel R		High corrosion resistant steel HCR
		acc. to EN 10088-1:2014 Corrosion resistance class CRC III acc. to EN 1993-1-4:2015		acc. to EN 10088-1:2014 Corrosion resistance class CRC V acc. to EN 1993-1-4:2015
		M10 to M16	M20 to M24	M10 to M24
2	fischer anchor rod FHB-A and FHB-A N	$f_{uk} = 800 \text{ N/mm}^2$ $f_{yk} = 640 \text{ N/mm}^2$ EN ISO 3506-1:2009 1.4401; 1.4404; 1.4578; 1.4571; 1.4439; 1.4362; 1.4062, 1.4662, 1.4462; EN 10088-1:2014 $A_5 > 12\%$ fracture elongation coated	$f_{uk} = 700 \text{ N/mm}^2$ $f_{yk} = 560 \text{ N/mm}^2$ EN ISO 3506-1:2009 1.4401; 1.4404; 1.4578; 1.4571; 1.4439; 1.4362; 1.4062, 1.4662, 1.4462; EN 10088-1:2014 $A_5 > 12\%$ fracture elongation coated	$f_{uk} = 700 \text{ N/mm}^2$ $f_{yk} = 560 \text{ N/mm}^2$ EN ISO 3506-1:2009 1.4565; 1.4529 EN 10088-1:2014 $A_5 > 12\%$ fracture elongation coated
3	Washer ISO 7089:2000	1.4401; 1.4404; 1.4578; 1.4571; 1.4439; 1.4362; EN 10088-1:2014		1.4565; 1.4529; EN 10088-1:2014
4	Conical washer or fischer filling disc similar to DIN 6319-G	1.4401; 1.4404; 1.4578; 1.4571; 1.4439; 1.4362; EN 10088-1:2014		1.4565; 1.4529; EN 10088-1:2014
5	Hexagon nut	Property class 70 or 80 EN ISO 3506-2:2020 1.4401; 1.4404; 1.4578; 1.4571; 1.4439; 1.4362; EN 10088-1:2014		Property class 70 or 80 EN ISO 3506-2:2020 1.4565; 1.4529; EN 10088-1:2014

fischer Highbond-Anchor FHB / FHB dyn / FDA

**Product description**  
Materials, FHB / FHB N stainless steel

**Annex A 11**  
Appendix 13 / 37

**Table A12.1: Materials, FHB dyn**

Part	Designation	Material	
1	Injection cartridge	Mortar, hardener, filler	
	Steel grade	Steel	High corrosion resistant steel HCR
		electroplated (gvz)	acc. to EN 10088-1:2014 Corrosion resistance class CRC V acc. to EN 1993-1-4:2015
		M12 to M24	M12 to M16
2	fischer anchor rod FHB-A dyn	Property class 8.8 EN ISO 898-1:2013 electroplated $\geq 5 \mu\text{m}$ Zn5/An (A2K) acc. to EN ISO 4042:2018 $A_5 > 12\%$ fracture elongation coated	EN ISO 3506-1:2009 1.4529 EN 10088-1:2014 $f_{uk} \geq 700 \text{ N/mm}^2$ $A_5 > 12\%$ fracture elongation coated
3	Centering sleeve	Plastic	
4	Conical washer or fischer filling disc similar to DIN 6319-G	electroplated $\geq 5 \mu\text{m}$ Zn5/An (A2K) acc. to EN ISO 4042:2018	1.4529 EN 10088-1:2014
5	Spherical washer	electroplated $\geq 5 \mu\text{m}$ Zn5/An (A2K) acc. to EN ISO 4042:2018	1.4529 EN 10088-1:2014
6a	Hexagon nut	Property class 8 EN ISO 898-2:2012 electroplated $\geq 5 \mu\text{m}$ Zn5/An (A2K) acc. to EN ISO 4042:2018	Property class 70 EN ISO 3506-2:2020 1.4529 EN 10088-1:2014
6b	hexagonal nut with spherical contact surface		
7a	Lock nut	electroplated $\geq 5 \mu\text{m}$ Zn5/An (A2K) acc. to EN ISO 4042:2018	1.4529 EN 10088-1:2014
7b	hexagon nut, flat		
8	Shear force sleeve	electroplated $\geq 5 \mu\text{m}$ Zn5/An (A2K) acc. to EN ISO 4042:2018	---

fischer Highbond-Anchor FHB / FHB dyn / FDA

**Product description**  
Materials, FHB dyn

**Annex A 12**  
Appendix 14 / 37

<b>Table A13.1: Materials, FDA</b>		
<b>Part</b>	<b>Designation</b>	<b>Material</b>
1	Injection cartridge	Mortar, hardener, filler
	Steel grade	Steel
		electroplated (gvz)
		M12 to M16
2	fischer anchor rod FDA-A	Property class 8.8 EN ISO 898-1:2013 electroplated $\geq 5 \mu\text{m}$ Zn5/An (A2K) acc. to EN ISO 4042:2018 $A_5 > 12 \%$ fracture elongation coated
3	Centering sleeve	Plastic
4	Washer	electroplated $\geq 5 \mu\text{m}$ Zn5/An (A2K) acc. to EN ISO 4042:2018
5	Hexagon nut	Property class 8 EN ISO 898-2:2012 electroplated $\geq 5 \mu\text{m}$ Zn5/An (A2K) acc. to EN ISO 4042:2018
6	Lock nut	electroplated $\geq 5 \mu\text{m}$ Zn5/An (A2K) acc. to EN ISO 4042:2018

fischer Highbond-Anchor FHB / FHB dyn / FDA

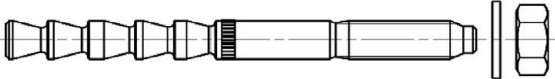


**Product description**  
Materials, FDA

**Annex A 13**  
Appendix 15 / 37



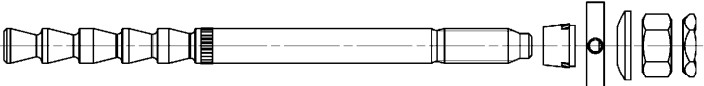
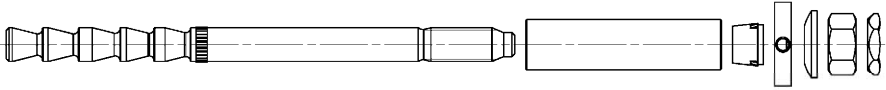


# Specifications of intended use (part 1), FHB / FHB N

**Table B1.1:** Overview use and performance categories, FHB / FHB N

		fischer Highbond-Anchor FHB / FHB N with FIS HB				
						
Hammer drilling with standard drill bit		all sizes; Nominal drill bit diameter ( $d_0$ ) 12 mm to 28 mm				
Hammer drilling with hollow drill bit						
(fischer "FHD"; Heller "Duster Expert"; Bosch "Speed Clean"; Hilti "TE-CD, TE-YD"; DreBo „D-Plus“; DreBo „D-Max“)						
Static and quasi static load, in	<table border="0"> <tr> <td>uncracked concrete</td> <td rowspan="2">all sizes; M10 to M24</td> <td rowspan="2">Tables: C1.1 C2.1 C3.1</td> </tr> <tr> <td>cracked concrete</td> </tr> </table>	uncracked concrete	all sizes; M10 to M24	Tables: C1.1 C2.1 C3.1	cracked concrete	
uncracked concrete	all sizes; M10 to M24	Tables: C1.1 C2.1 C3.1				
cracked concrete						
Use category	I1 dry or wet concrete	all sizes; M10 to M24				
	I2 water filled hole	all sizes; M10 to M24				
Installation direction	D3 Downwards, horizontal and upwards (overhead) installation					
Installation method	pre-positioned or push through installation					
Installation temperature <sup>1)</sup>	FIS HB: $T_{i,min} = -5\text{ °C}$ to $T_{i,max} = +40\text{ °C}$					
In-service temperature	Temperature range I:	-40 °C to +40 °C	(max. short term temperature +40 °C; max. long term temperature +24 °C)			
	Temperature range II:	-40 °C to +80 °C	(max. short term temperature +80 °C; max. long term temperature +50 °C)			
<sup>1)</sup> For the standard variation of temperature after installation						
fischer Highbond-Anchor FHB / FHB dyn / FDA			<b>Annex B 1</b> Appendix 16 / 37			
<b>Intended use</b> Specifications (part 1), FHB / FHB N						

# Specifications of intended use (part 2), FHB dyn

**Table B2.1:** Overview use and performance categories, FHB dyn

		fischer Highbond-Anchor dynamic FHB dyn with FIS HB			
		<b>FHB-A dyn</b> , without shear force sleeve (picture with centering sleeve; use only for push through installation) 			
		<b>FHB-A dyn V</b> , with shear force sleeve 			
		<b>FHB dyn</b>		<b>FHB dyn V</b>	
Hammer drilling with standard drill bit		all sizes; Nominal drill bit diameter ( $d_0$ ) 14 mm to 28 mm		all sizes; Nominal drill bit diameter ( $d_0$ ) 14 mm and 18 mm Nominal drill bit diameter ( $d_1$ ) 20 mm and 28 mm	
Hammer drilling with hollow drill bit					
(fischer "FHD", Heller "Duster Expert"; Bosch "Speed Clean"; Hilti "TE-CD, TE-YD"; DreBo „D-Plus“; DreBo „D-Max“)					
Static and quasi static load, in	uncracked concrete	all sizes; M12 to M24	Tables: C1.1 C2.1 C3.1	all sizes; M12 and M16	Tables: C1.1 C2.1 C3.1
	cracked concrete				
Use category	I1 dry or wet concrete	all sizes; M12 to M24		all sizes; M12 and M16	
	I2 water filled hole	all sizes; M12 to M24		all sizes; M12 and M16	
Installation direction		D3 Downwards, horizontal and upwards (overhead) installation			
Installation method		pre-positioned or push through installation		push through installation	
Installation temperature <sup>1)</sup>		FIS HB: $T_{i,min} = -5\text{ °C}$ to $T_{i,max} = +40\text{ °C}$			
In-service temperature	Temperature range I:	-40 °C to +40 °C	(max. short term temperature +40 °C; max. long term temperature +24 °C)		
	Temperature range II:	-40 °C to +80 °C	(max. short term temperature +80 °C; max. long term temperature +50 °C)		

<sup>1)</sup> For the standard variation of temperature after installation

fischer Highbond-Anchor FHB / FHB dyn / FDA

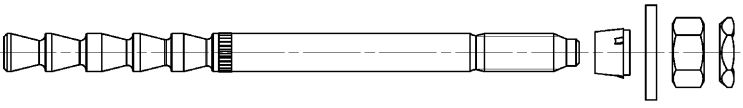


**Intended use**  
Specifications (part 2), FHB dyn

**Annex B 2**

Appendix 17 / 37

# Specifications of intended use (part 3), FDA

**Table B3.1:** Overview use and performance categories, FDA

		fischer Dynamic-Anchor FDA with FIS HB	
			
Hammer drilling with standard drill bit		all sizes; Nominal drill bit diameter ( $d_0$ ) 14 mm and 18 mm	
Hammer drilling with hollow drill bit			
(fischer "FHD"; Heller "Duster Expert"; Bosch "Speed Clean"; Hilti "TE-CD, TE-YD"; DreBo „D-Plus“; DreBo „D-Max“)			
Static and quasi static load, in	uncracked concrete	all sizes; M12 and M16	Tables: C1.1 C2.1 C3.1
	cracked concrete		
Use category	I1 dry or wet concrete	all sizes; M12 and M16	
	I2 water filled hole	all sizes; M12 and M16	
Installation direction	D3 Downwards, horizontal and upwards (overhead) installation		
Installation method	push through installation		
Installation temperature <sup>1)</sup>	FIS HB: $T_{i,min} = -5\text{ °C}$ to $T_{i,max} = +40\text{ °C}$		
In-service temperature	Temperature range I:	-40 °C to +40 °C	(max. short term temperature +40 °C; max. long term temperature +24 °C)
	Temperature range II:	-40 °C to +80 °C	(max. short term temperature +80 °C; max. long term temperature +50 °C)
<sup>1)</sup> For the standard variation of temperature after installation			
fischer Highbond-Anchor FHB / FHB dyn / FDA			<b>Annex B 3</b> Appendix 18 / 37
<b>Intended use</b> Specifications (part 3), FDA			

## Specifications of intended use (part 4)

### Base materials:

- Compacted reinforced or unreinforced normal weight concrete without fibers of strength classes C20/25 to C50/60 according to EN 206:2013+A1:2016+A2:2021

### Use conditions (Environmental conditions):

- Structures subject to dry internal conditions (zinc plated steel, stainless steel or high corrosion resistant steel).
- For all other conditions according to EN 1993-1-4:2015 corresponding to corrosion resistance classes to Annex A 11 table A11.1 (FHB / FHB N) or Annex A 12 table A12.1 (FHB dyn).

### Design:

- Anchorages have to be designed by a responsible engineer with experience of concrete anchor design.
- Verifiable calculation notes and drawings are to be prepared taking account of the loads to be anchored. The position of the anchor is indicated on the design drawings (e. g. position of the anchor relative to reinforcement or to supports, etc.)
- Anchorages are designed in accordance with:
  - EN 1992-4:2018 and
  - EOTA Technical Report TR 055, Edition February 2018

### Installation:

- Anchor installation is to be carried out by appropriately qualified personnel and under the supervision of the person responsible for technical matters of the site.
- In case of aborted hole: The hole shall be filled with mortar.
- Overhead installation is allowed.

fischer Highbond-Anchor FHB / FHB dyn / FDA

**Intended use**  
Specifications (part 4)

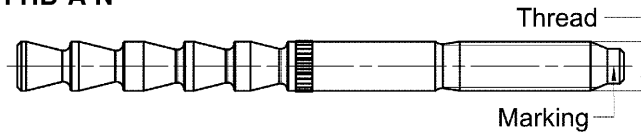
**Annex B 4**

Appendix 19 / 37

**Table B5.1: Installation parameters for fischer Highbond-Anchor FHB / FHB N**

Designation		FHB 10x60	FHB 12x80	FHB 12x100		FHB 16x125		FHB 20x170	FHB 24x220
Thread	[-]	M10	M12	M12		M16		M20	M24
Width across flats	SW	17	19	19		24		30	36
Nominal drill hole diameter	d <sub>0</sub>	12	14	14		18		24	28
Drill hole depth	h <sub>0</sub>	65	85	105		130		175	225
Effective embedment depth	h <sub>ef</sub>	60	80	100		125		170	220
Minimum thickness of concrete member	h <sub>min</sub>	120	160	130	200	160	250	220	440
Minimum spacing	s <sub>min</sub>	60	80	100	100	100	100	80	180
Minimum edge distance	c <sub>min</sub>			200	100	200	100		
For h <sub>min</sub> ≤ h ≤ 2h <sub>ef</sub> : s <sub>1</sub> ≥ s <sub>min</sub> = 100 mm c <sub>1</sub> ≥ c <sub>min</sub> = 100 mm		[mm]		[(3 • c <sub>1</sub> + s <sub>1</sub> ) • h] ≥ 88000					
Calculation c <sub>reg</sub> : s <sub>1</sub> and h available				c <sub>reg</sub> ≥ (88000/h – s <sub>1</sub> ) / 3					
Calculation s <sub>reg</sub> : c <sub>1</sub> and h available				s <sub>reg</sub> ≥ 88000/h – 3 • c <sub>1</sub>					
Diameter of clearance hole of the fixture	pre-positioned installation	d <sub>f</sub>	12	14	14		18	22	26
	push through installation	d <sub>f</sub>	14	16	16		20	26	30
Installation torque	T <sub>inst</sub> [Nm]	20	40	40		60		100	120

**fischer anchor rod FHB-A / FHB-A N**



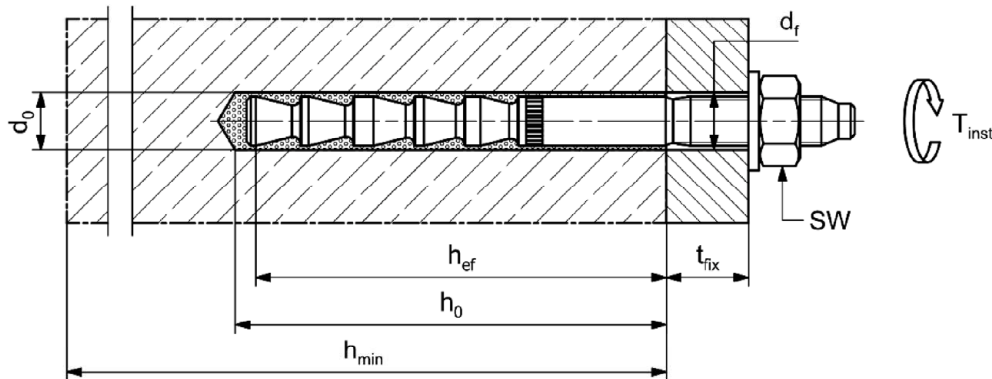
**Marking fischer anchor rod:**

work symbol, thread diameter, embedment depth e.g.:  $\varnothing$  16 x 125

For anchor rod property class 5.8 additional "5.8"

For stainless steel additional "R" and for high corrosion resistant steel additional "HCR".

**Installation conditions:**



Figures not to scale

fischer Highbond-Anchor FHB / FHB dyn / FDA

**Intended use**

Installation parameters fischer Highbond-Anchor FHB / FHB N

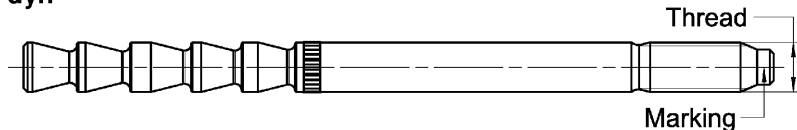
**Annex B 5**

Appendix 20 / 37

**Table B6.1: Installation parameters for fischer Highbond-Anchor dynamic without shear force sleeve FHB dyn**

Designation		FHB dyn 12x100	FHB dyn 16x125	FHB dyn 20x170	FHB dyn 24x220		
Thread	[-]	M12	M16	M20	M24		
Width across flats	SW	19	24	30	36		
Nominal drill hole diameter	$d_0$	14	18	24	28		
Drill hole depth	$h_{0,min}$	105	130	175	225		
Effective embedment depth	$h_{ef}$	100	125	170	220		
Minimum thickness of concrete member	$h_{min}$	130	200	160	250	220	440
Minimum spacing	$s_{min}$	100	100	100	100	80	180
Minimum edge distance	$c_{min}$	200	100	200	100	80	180
For $h_{min} \leq h \leq 2h_{ef}$ : $s_1 \geq s_{min} = 100 \text{ mm}$ $c_1 \geq c_{min} = 100 \text{ mm}$	[mm]	$[(3 \cdot c_1 + s_1) \cdot h] \geq 88000$				-	
Calculation $c_{reg}$ : $s_1$ and $h$ available		$c_{reg} \geq (88000/h - s_1) / 3$					
Calculation $s_{reg}$ : $c_1$ and $h$ available		$s_{reg} \geq 88000/h - 3 \cdot c_1$					
Diameter of the clearance hole of the fixture	$d_f$	15	19	25	29		
Thickness of fixture	$t_{fix,min}$	8	10	12	14		
	$t_{fix,max}$	200					
Minimum projection length	$h_{p,min}$	$30 + t_{fix}$	$35 + t_{fix}$	$40 + t_{fix}$	$50 + t_{fix}$		
Installation torque	$T_{inst}$	[Nm] 40	60	100	120		

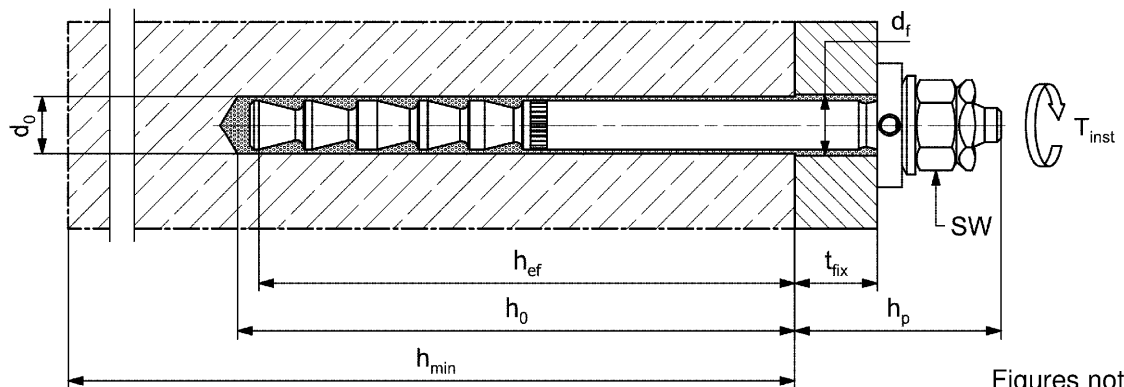
**fischer anchor rod FHB-A dyn**



**Marking fischer anchor rod:**

work symbol, thread diameter, embedment depth, intended use e.g:  $\varnothing 16 \times 125 \text{ dyn}$   
For high corrosion resistant steel additional "HCR".

**Installation conditions:** (picture without centering sleeve; pre-positioned installation)



Figures not to scale

fischer Highbond-Anchor FHB / FHB dyn / FDA

**Intended use**

Installation parameters fischer Highbond-Anchor dynamic FHB dyn (without shear force sleeve)

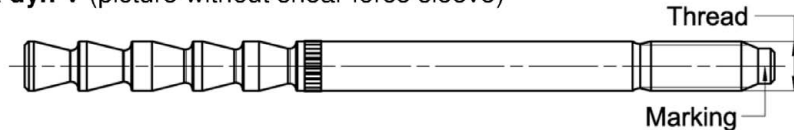
**Annex B 6**

Appendix 21 / 37

**Table B7.1: Installation parameters for fischer Highbond-Anchor dynamic with shear force sleeve FHB dyn V**

Designation		FHB dyn 12x100 V		FHB dyn 16x125 V	
Thread	[-]	M12		M16	
Width across flats	SW	19		24	
Nominal drill hole diameter	$d_0$	14		18	
Drill hole depth	$h_{0,min}$	110		135	
Nominal drill hole diameter	$d_1$	20		28	
Drill hole depth	$h_{1,min}$	35		50	
Effective embedment depth	$h_{ef}$	105		130	
Minimum thickness of concrete member	$h_{min}$	130	200	160	250
Minimum spacing	$s_{min}$	100	100	100	100
Minimum edge distance	$c_{min}$	200	100	200	100
For $h_{min} \leq h \leq 2h_{ef}$ :	$s_1 \geq s_{min} = 100 \text{ mm}$ $c_1 \geq c_{min} = 100 \text{ mm}$	$[(3 \cdot c_1 + s_1) \cdot h] \geq 88000$			
Calculation $c_{reg}$ : $s_1$ and $h$ available		$c_{reg} \geq (88000/h - s_1) / 3$			
Calculation $s_{reg}$ : $c_1$ and $h$ available		$s_{reg} \geq 88000/h - 3 \cdot c_1$			
Diameter of the clearance hole of the fixture	$d_f$	21		29	
Thickness of fixture	$t_{fix,min}$	8		10	
	$t_{fix,max}$	200			
Installation torque	$T_{inst}$ [Nm]	40		60	

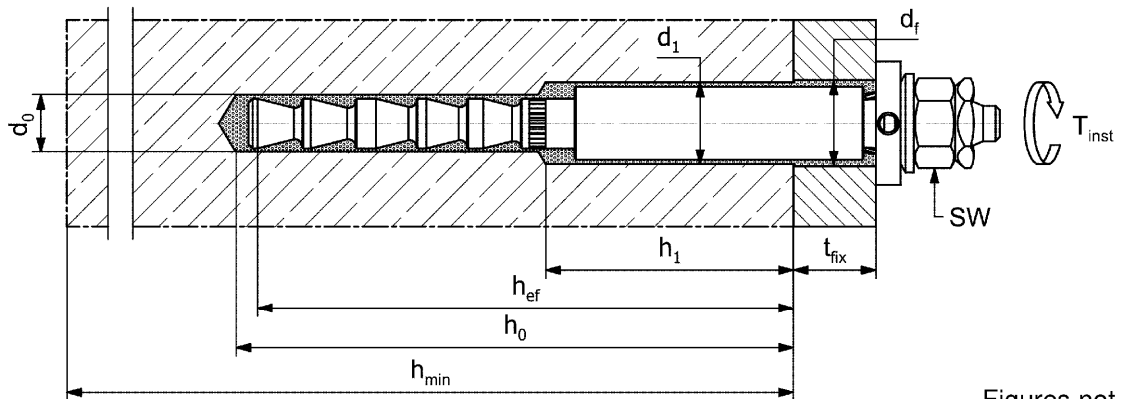
**fischer anchor rod FHB-A dyn V** (picture without shear force sleeve)



**Marking fischer anchor rod:**

work symbol, thread diameter, embedment depth, intended use e.g.: 16 x 125 dyn V

**Installation conditions:**



Figures not to scale

fischer Highbond-Anchor FHB / FHB dyn / FDA

**Intended use**

Installation parameters fischer Highbond-Anchor dynamic FHB dyn V (with shear force sleeve)

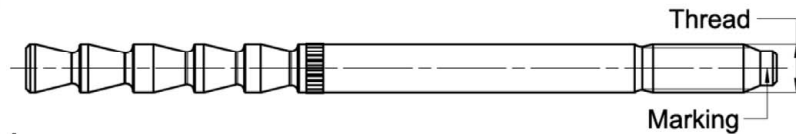
**Annex B 7**

Appendix 22 / 37

**Table B8.1: Installation parameters for fischer Dynamic-Anchor FDA**

Designation		FDA 12x100		FDA 16x125	
Thread	[-]	M12		M16	
Width across flats	SW	19		24	
Nominal drill hole diameter	d <sub>0</sub>	14		18	
Drill hole depth	h <sub>0,min</sub>	105		130	
Effective embedment depth	h <sub>ef</sub>	100		125	
Minimum thickness of concrete member	h <sub>min</sub>	130	200	160	250
Minimum spacing	s <sub>min</sub>	100	100	100	100
Minimum edge distance	c <sub>min</sub>	200	100	200	100
For h <sub>min</sub> ≤ h ≤ 2h <sub>ef</sub> : s <sub>1</sub> ≥ s <sub>min</sub> = 100 mm c <sub>1</sub> ≥ c <sub>min</sub> = 100 mm	[mm]	[(3 • c <sub>1</sub> + s <sub>1</sub> ) • h] ≥ 88000			
Calculation c <sub>reg</sub> : s <sub>1</sub> and h available		c <sub>reg</sub> ≥ (88000/h - s <sub>1</sub> ) / 3			
Calculation s <sub>reg</sub> : c <sub>1</sub> and h available		s <sub>reg</sub> ≥ 88000/h - 3 • c <sub>1</sub>			
Diameter of the clearance hole of the fixture	d <sub>f</sub>	15		19	
Thickness of fixture	t <sub>fix,min</sub>	12		16	
	t <sub>fix,max</sub>	200			
Installation torque	T <sub>inst</sub> [Nm]	40		60	

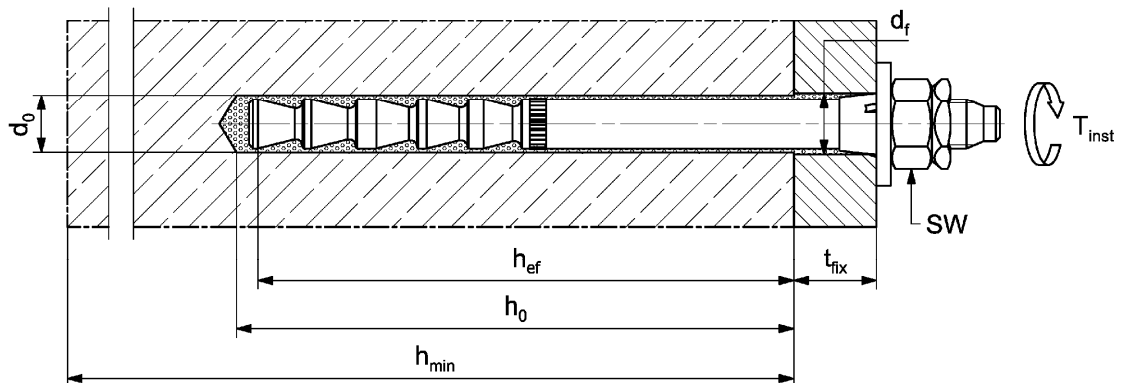
**fischer anchor rod FDA-A**



**Marking fischer anchor rod:**

work symbol, thread diameter, embedment depth, intended use e.g.: 16 x 125 dyn

**Installation conditions:**



Figures not to scale

fischer Highbond-Anchor FHB / FHB dyn / FDA

**Intended use**  
Installation parameters fischer Dynamic-Anchor FDA

**Annex B 8**

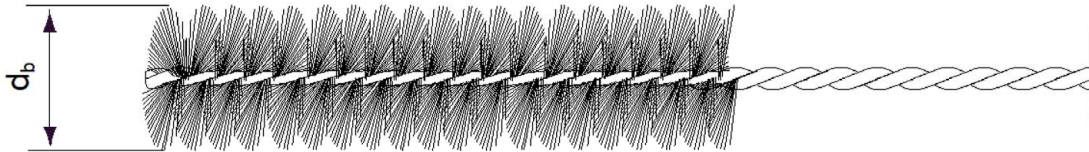
Appendix 23 / 37



**Table B9.1:** Parameters of the cleaning brush BS (steel brush with steel bristles)

The size of the cleaning brush refers to the drill hole diameter

Nominal drill hole diameter	$d_0$	[mm]	12	14	18	24	28
Steel brush diameter	$d_b$		14	16	20	26	30

**Table B9.2:** Processing time  $t_{work}$  and curing time  $t_{cure}$  (FIS HB)

Temperature at anchoring base <sup>1)</sup> [°C]	Maximum processing time $t_{work}$	Minimum curing time <sup>2)</sup> $t_{cure}$
-5 to 0 <sup>3)</sup>	-	6 h
> 0 to 5 <sup>3)</sup>	-	3 h
> 5 to 10	15 min	90 min
> 10 to 20	6 min	35 min
> 20 to 30	4 min	20 min
> 30 to 40	2 min	12 min

<sup>1)</sup> During the curing time of the mortar the temperature of the anchoring base may not fall below -5°C

<sup>2)</sup> In wet concrete or water filled holes the curing time must be doubled

<sup>3)</sup> Minimal cartridge temperature +5 °C

Figures not to scale

fischer Highbond-Anchor FHB / FHB dyn / FDA

**Intended use**

Parameters of the cleaning brush (steel brush);  
Processing time and curing time

**Annex B 9**

Appendix 24 / 37

<b>Overview installation instructions</b>				
	<b>Anchor type</b>			
	<b>FHB / FHB N</b>	<b>FHB dyn</b>	<b>FHB dyn V</b>	<b>FDA</b>
<b>Drilling and cleaning</b> hammer drilling with standard drill bit	Annex B 11 Step 1a to 4a	Annex B 11 Step 1a to 4a	Annex B 12 Step 1c to 4c	Annex B 11 Step 1a to 4a
<b>Drilling and cleaning</b> hammer drilling with hollow drill bit	Annex B 11 Step 1b to 2b	Annex B 11 Step 1b to 2b	Annex B 12 Step 1d to 2d	Annex B 11 Step 1b to 2b
<b>Preparing the cartridge</b>	Annex B 13 Step 5a to 7a			
<b>Pre-positioned installation</b>	Annex B 14 Step 8a to 12a	Annex B 16 Step 8c to 12c	-	-
<b>Push through installation</b>	Annex B 15 Step 8b to 11b	Annex B 17 Step 8d to 11d	Annex B 18 Step 8e to 11e	Annex B 19 Step 8f to 11f

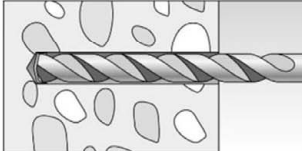
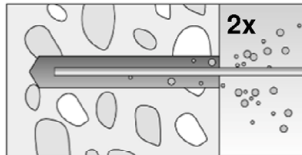
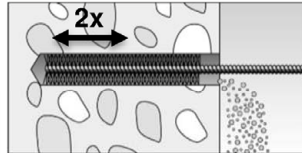
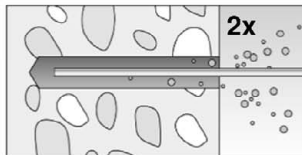
fischer Highbond-Anchor FHB / FHB dyn / FDA

**Intended use**  
Overview installation instructions

**Annex B 10**  
Appendix 25 / 37


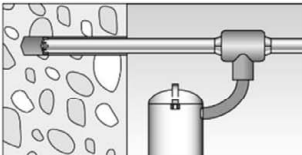
## Installation instructions part 1; Drilling and cleaning FHB, FHB N, FHB dyn and FDA

### Drilling and cleaning the drill hole (hammer drilling with standard drill bit)

1a		<p>Drill the hole. Nominal drill hole diameter <math>d_0</math> and drill hole depth <math>h_0</math> see tables: FHB / FHB N → <b>table B5.1</b> FHB dyn → <b>table B6.1</b> FDA → <b>table B8.1</b></p>
2a		<p>Clean the drill hole. Blow out the drill hole twice For drill hole diameter <math>d_0 &lt; 24</math> mm blow out the hole by hand or oil-free compressed air (<math>\geq 6</math> bar). For drill hole diameter <math>d_0 \geq 24</math> mm blow out the hole with oil-free compressed air (<math>\geq 6</math> bar). Use a cleaning nozzle.</p>
3a		<p>Brush the drill hole twice with steel brush. Corresponding brushes see <b>table B9.1</b></p>
4a		<p>Clean the drill hole. Blow out the drill hole twice For drill hole diameter <math>d_0 &lt; 24</math> mm blow out the hole by hand or oil-free compressed air (<math>\geq 6</math> bar). For drill hole diameter <math>d_0 \geq 24</math> mm blow out the hole with oil-free compressed air (<math>\geq 6</math> bar). Use a cleaning nozzle.</p>

Go to step 5a (Annex B 13)

### Drilling and cleaning the drill hole (hammer drilling with hollow drill bit)

1b		<p>Check a suitable hollow drill (see <b>table B1.1, B2.1 resp. B3.1</b>) for correct operation of the dust extraction</p>
2b		<p>Use a suitable dust extraction system, e.g. fischer FVC 35 M or a comparable dust extraction system with equivalent performance data. Drill the hole with hollow drill bit. The dust extraction system has to extract the drill dust nonstop during the drilling process and must be adjusted to maximum power. Nominal drill hole diameter <math>d_0</math> and drill hole depth <math>h_0</math> see tables: FHB / FHB N → <b>table B5.1</b> FHB dyn → <b>table B6.1</b> FDA → <b>table B8.1</b></p>

Go to step 5a (Annex B 13)

fischer Highbond-Anchor FHB / FHB dyn / FDA

#### Intended use

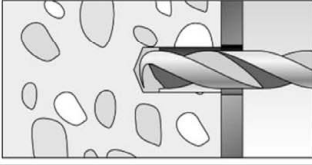
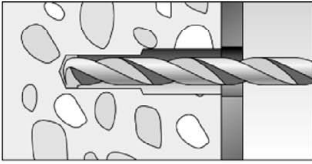
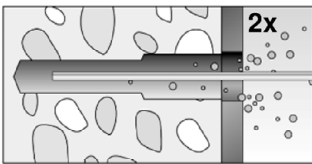

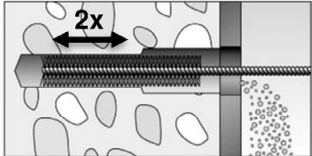
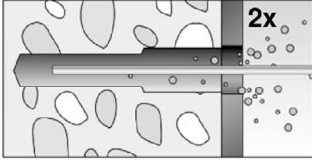

Installation instructions part 1  
Drilling and cleaning the drill hole FHB, FHB N, FHB dyn and FDA

**Annex B 11**

Appendix 26 / 37


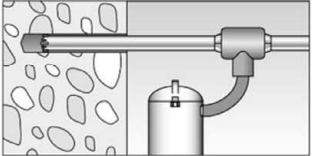
## Installation instructions part 2; Drilling and cleaning FHB dyn V

### Drilling and cleaning the hole (hammer drilling with standard drill bit)

1c		<p>Drill hole 1 of the stepped borehole. Nominal drill hole diameter <math>d_1</math> and drill hole depth <math>h_1</math> see <b>table B7.1</b></p>
		<p>Drill hole 2 of the stepped borehole. Nominal drill hole diameter <math>d_0</math> and drill hole depth <math>h_0</math> see <b>table B7.1</b></p>
2c		<p>Clean the drill hole. Blow out the drill hole twice by hand or oil-free compressed air (<math>\geq 6</math> bar).</p> 
3c		<p>Brush the drill hole 2 of the borehole twice with a steel brush. Corresponding brushes see <b>table B9.1</b></p>
4c		<p>Clean the drill hole. Blow out the drill hole twice by hand or oil-free compressed air (<math>\geq 6</math> bar).</p> 

Go to step 5a (Annex B 13)

### Drilling and cleaning the hole (hammer drilling with hollow drill bit)

1d		<p>Check a suitable hollow drill (see <b>table B2.1</b>) for correct operation of the dust extraction.</p>
2d		<p>Use a suitable dust extraction system, e.g. fischer FVC 35 M or a comparable dust extraction system with equivalent performance data. Drill the hole with hollow drill bit. The dust extraction system has to extract the drill dust nonstop during the drilling process and must be adjusted to maximum power. First drill hole 1 of the stepped borehole with nominal drill hole diameter <math>d_1</math> and drill hole depth <math>h_1</math> (see <b>table B7.1</b>). Then drill hole 2 of the stepped borehole with nominal drill hole diameter <math>d_0</math> and drill hole depth <math>h_0</math> (see <b>table B7.1</b>).</p>

Go to step 5a (Annex B 13)

fischer Highbond-Anchor FHB / FHB dyn / FDA

#### Intended use

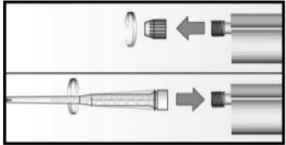
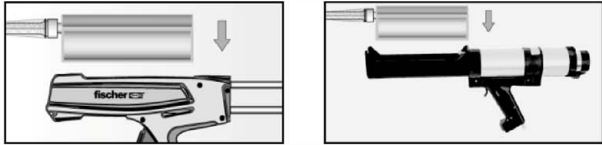
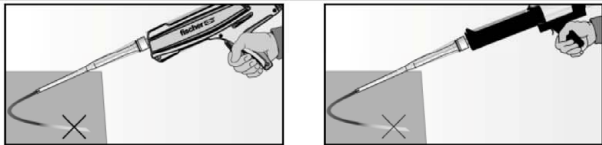
Installation instructions part 2  
Drilling and cleaning the drill hole FHB dyn V

**Annex B 12**

Appendix 27 / 37

## Installation instructions part 3; injection mortar system FIS HB

### Preparing the cartridge

5a		Remove the sealing cap Screw on the static mixer (the spiral in the static mixer must be clearly visible)
6a		Place the cartridge into the dispenser
7a		Extrude approximately 10 cm of material out until the resin is evenly grey in colour. Do not use mortar that is not uniformly grey

Go to step:

- 8a: FHB / FHB N - Pre-positioned installation see Annex B 14
- 8b: FHB / FHB N - Push through installation see Annex B 15
- 8c: FHB dyn - Pre-positioned installation see Annex B 16
- 8d: FHB dyn - Push through installation see Annex B 17
- 8e: FHB dyn V - Push through installation see Annex B 18
- 8f: FDA - Push through installation see Annex B 19

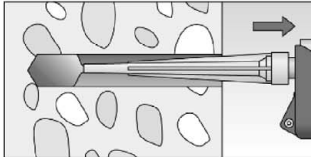
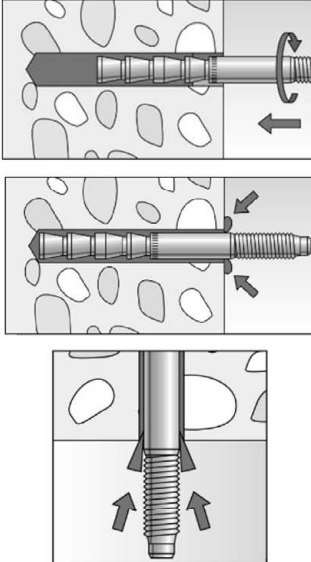

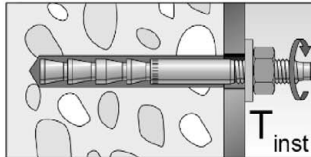
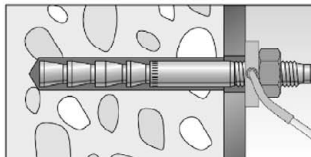
fischer Highbond-Anchor FHB / FHB dyn / FDA

**Intended use**  
Installation instructions part 3  
Preparing the cartridge

**Annex B 13**  
Appendix 28 / 37

## Installation instructions part 4; Pre-positioned installation FHB / FHB N

### Pre-positioned installation FHB / FHB N

8a		<p>Fill approximately 2/3 of the drill hole with mortar. Always begin from the bottom of the hole and avoid bubbles. For drill hole depth <math>h_0 \geq 150</math> mm use an extension tube. For overhead installation or deep holes (<math>h_0 &gt; 250</math> mm) use an injection adapter.</p>
9a		<p>Push the anchor rod down to the bottom of the hole, turning it slightly while doing so. Only use clean and oil-free metal parts.</p> <p>After inserting the anchor rod, excess mortar must be emerged around the anchor element. If not, pull out the anchor rod immediately and reinject mortar.</p> <p>For overhead installations support the anchor rod with wedges. (e.g. fischer centering wedges)</p>
10a		<p>Wait for the specified curing time <math>t_{cure}</math> see <b>table B9.2</b></p>
11a		<p>Attach the fixture and install the washer and hexagon nut. Ensure the correct position of the metal parts. Tighten the hexagon nut with installation torque <math>T_{inst}</math> (see <b>table B5.1</b>).</p>
12a Option		<p>The gap between metal parts and fixture (annular gap) may be filled with mortar (FIS HB) via the fischer filling disc. <b>ATTENTION:</b> Using fischer filling disc reduces <math>t_{fix}</math> (usable length of the anchor)</p>

fischer Highbond-Anchor FHB / FHB dyn / FDA

#### Intended use

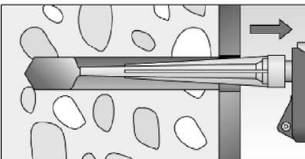
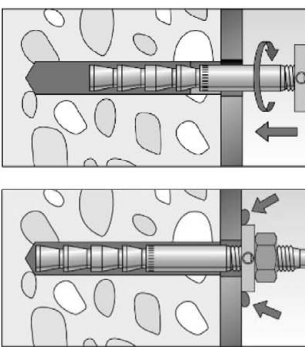

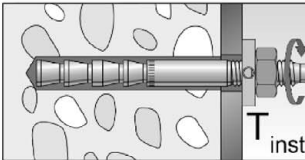
Installation instructions part 4  
Pre-positioned installation FHB / FHB N

**Annex B 14**

Appendix 29 / 37

## Installation instructions part 5; Push through installation FHB / FHB N

### Push through installation FHB / FHB N

8b		<p>Fill approximately 2/3 of the drill hole incl. fixture with mortar. Always begin from the bottom of the hole and avoid bubbles. For drill hole depth <math>h_0 \geq 150</math> mm use an extension tube. For overhead installation or deep holes (<math>h_0 &gt; 250</math> mm) use an injection adapter.</p>
9b		<p>Push the pre-assembled Fischer anchor rod (with Fischer filling disc and hexagon nut) into the drill hole until the Fischer filling disc is in full contact with the surface, turning it slightly while doing so. Ensure the correct position of the metal parts. Only use clean and oil-free metal parts.</p> <p>After inserting the pre-assembled anchor rod, excess mortar must be emerged around the Fischer filling disc (minimum on one point). If not, pull out the assembled anchor rod immediately and reinject mortar.</p>
10b		<p>Wait for the specified curing time <math>t_{cure}</math> see <b>table B9.2</b></p>
11b		<p>Tighten the hexagon nut with installation torque <math>T_{inst}</math> (see <b>table B5.1</b>).</p>

fischer Highbond-Anchor FHB / FHB dyn / FDA

#### Intended use

Installation instructions part 5  
Push through installation FHB / FHB N

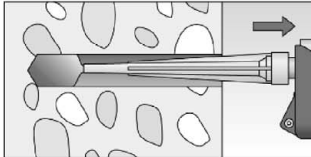
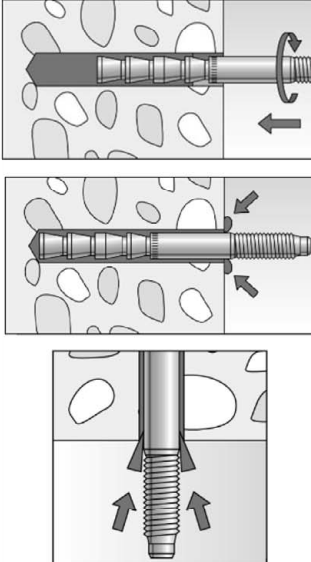



**Annex B 15**

Appendix 30 / 37



## Installation instructions part 6; Pre-positioned installation FHB dyn

### Pre-positioned installation FHB dyn

8c		<p>Fill approximately 2/3 of the drill hole with mortar. Always begin from the bottom of the hole and avoid bubbles. For drill hole depth <math>h_0 \geq 150</math> mm use an extension tube. For overhead installation or deep holes (<math>h_0 &gt; 250</math> mm) use an injection adapter.</p>
9c		<p>Push the anchor rod down to the bottom of the hole, turning it slightly while doing so. Observe projection length <math>h_p</math> (see <b>table B6.1</b>) Only use clean and oil-free metal parts.</p> <p>After inserting the anchor rod, excess mortar must be emerged around the anchor element. If not, pull out the anchor rod immediately and reinject mortar.</p> <p>For overhead installations support the anchor rod with wedges. (e.g. fischer centering wedges)</p>
10c		<p>Wait for the specified curing time <math>t_{cure}</math> see <b>table B9.2</b></p>
11c		<p>Attach the fixture and install the fischer filling disc, the spherical washer and nuts (<b>without centering sleeve</b>). Ensure the correct position of the metal parts.</p> <p>Tighten the hexagon nut with installation torque <math>T_{inst}</math> (see <b>table B6.1</b>). Tighten lock nut manually, then use wrench to give another quarter or half turn. In the high corrosion resistant steel version, the lock nut is a thin nut. Tighten it with a torque of <math>\frac{1}{4} T_{inst}</math>.</p>
12c		<p>The gap between metal parts and fixture (annular gap) has to be filled with mortar (FIS HB) via the fischer filling disc. This installation step can be omitted for anchors with pure tension load.</p>

fischer Highbond-Anchor FHB / FHB dyn / FDA

#### Intended use

Installation instructions part 6  
Pre-positioned installation FHB dyn

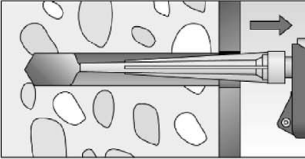
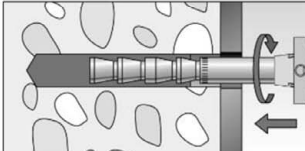


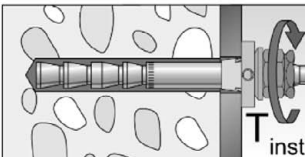
**Annex B 16**

Appendix 31 / 37



## Installation instructions part 7; Push through installation FHB dyn

### Push through installation FHB dyn

8d		<p>Fill approximately 2/3 of the drill hole incl. fixture with mortar. Always begin from the bottom of the hole and avoid bubbles. For drill hole depth <math>h_0 \geq 150</math> mm use an extension tube. For overhead installation or deep holes (<math>h_0 &gt; 250</math> mm) use an injection-adapter.</p>
9d	 	<p>Push the pre-assembled Fischer anchor rod (with centering sleeve, Fischer filling disc, spherical washer, hexagon nut and lock nut) into the drill hole until the Fischer filling disc is in full contact with the surface, turning it slightly while doing so. Ensure the correct position of the metal parts and the centering sleeve. Only use clean and oil-free metal parts.</p> <p>After inserting the pre-assembled anchor rod, excess mortar must be emerged around the Fischer filling disc (minimum on one point). If not, pull out the assembled anchor rod immediately and reinject mortar.</p>
10d		<p>Wait for the specified curing time <math>t_{cure}</math> see <b>table B9.2</b></p>
11d		<p>Tighten the hexagon nut with installation torque <math>T_{inst}</math> (see <b>table B6.1</b>). Tighten lock nut manually, then use wrench to give another quarter to half turn. In the high corrosion resistant steel version, the lock nut is a thin nut. Tighten it with a torque of <math>\frac{1}{4} T_{inst}</math>.</p>

fischer Highbond-Anchor FHB / FHB dyn / FDA

#### Intended use

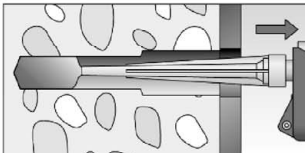
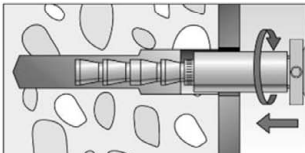
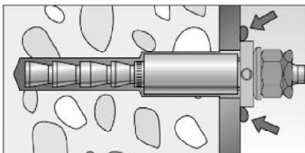

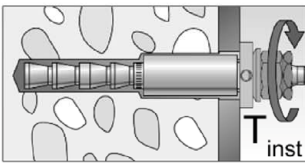
Installation instructions part 7  
Push through installation FHB dyn

**Annex B 17**

Appendix 32 / 37

## Installation instructions part 8; Push through installation FHB dyn V

### Push through installation FHB dyn V

8e		<p>Fill approximately 2/3 of the drill hole incl. fixture with mortar. Always begin from the bottom of the hole and avoid bubbles. For drill hole depth <math>h_0 \geq 150</math> mm use an extension tube. For overhead installation or deep holes (<math>h_0 &gt; 250</math> mm) use an injection adapter.</p>
9e	 	<p>Push the pre-assembled fischer anchor rod (with shear force sleeve, centering sleeve, fischer filling disc, spherical washer, hexagon nut and lock nut) into the drill hole until the fischer filling disc is in full contact with the surface, turning it slightly while doing so. Ensure the correct position of the metal parts and the centering sleeve. Only use clean and oil-free metal parts.</p> <p>After inserting the pre-assembled anchor rod, excess mortar must be emerged around the fischer filling disc (minimum on one point). If not, pull out the assembled anchor rod immediately and reinject mortar.</p>
10e		<p>Wait for the specified curing time <math>t_{cure}</math> see <b>table B9.2</b></p>
11e		<p>Tighten the hexagon nut with installation torque <math>T_{inst}</math> (see <b>table B7.1</b>). Tighten lock nut manually, then use wrench to give another quarter to half turn.</p>

fischer Highbond-Anchor FHB / FHB dyn / FDA

#### Intended use

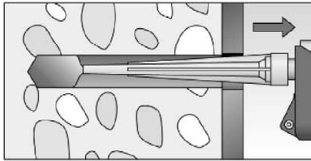
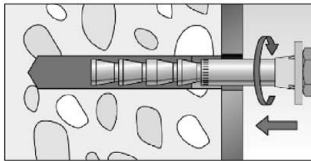
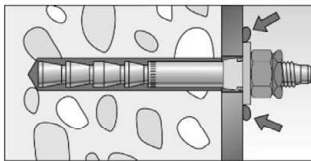

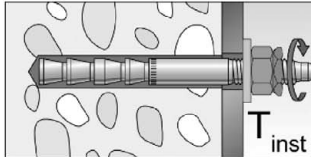
Installation instructions part 8  
Push through installation FHB dyn V

**Annex B 18**

Appendix 33 / 37

## Installation instructions part 9; Push through installation FDA

### Push through installation FDA

8f		<p>Fill approximately 2/3 of the drill hole incl. fixture with mortar. Always begin from the bottom of the hole and avoid bubbles.          For drill hole depth <math>h_0 \geq 150</math> mm use an extension tube. For overhead installation or deep holes (<math>h_0 &gt; 250</math> mm) use an injection adapter.</p>
9f	 	<p>Push the pre-assembled fischer anchor rod (with centering sleeve, washer, hexagon nut and lock nut) into the drill hole until the washer is in full contact with the surface, turning it slightly while doing so.          Gently hammer the anchor to the setting depth.          Ensure the correct position of the metal parts and the centering sleeve.          Only use clean and oil-free metal parts.</p> <p>After inserting the pre-assembled anchor rod, excess mortar must be emerged under the entire washer.          If not, pull out the assembled anchor rod immediately and reinject mortar.</p>
10f		<p>Wait for the specified curing time <math>t_{cure}</math>          see <b>table B9.2</b></p>
11f		<p>Tighten the hexagon nut with installation torque <math>T_{inst}</math> (see <b>table B8.1</b>).          Tighten lock nut manually, then use wrench to give another quarter to half turn.</p>

fischer Highbond-Anchor FHB / FHB dyn / FDA

#### Intended use

Installation instructions part 9  
 Push through installation FDA

**Annex B 19**

Appendix 34 / 37

**Table C1.1: Characteristic values for steel failure under tension / shear load of fischer anchor rods FHB-A / FHB-A N / FHB-A dyn (V) / FDA**

Anchor rod size				10x60	12x80	12x100	16x125	20x170	24x220		
<b>Bearing capacity under tension load, steel failure</b>											
Characteristic resistance $N_{Rk,s}$	FHB-A / FHB-A N	gvz	8.8	[kN]	25,8	44,3	44,3	81,7	130,8 <sup>2)</sup>	179,8 <sup>2)</sup>	
		gvz	5.8		16,1	27,7	27,7	51,1	- <sup>3)</sup>	- <sup>3)</sup>	
		hdg	8.8		25,8	44,3	44,3	81,7	190,2	261,5	
		R	80		25,8	44,3	44,3	81,7	166,5 <sup>4)</sup>	228,8 <sup>4)</sup>	
		HCR	70		22,5	38,8	38,8	71,5	166,5	228,8	
	FHB-A dyn	gvz	8.8		- <sup>3)</sup>	- <sup>3)</sup>	44,3	81,7	190,2	261,5	
		HCR	70		- <sup>3)</sup>	- <sup>3)</sup>	38,8	71,5	- <sup>3)</sup>	- <sup>3)</sup>	
	FHB-A dyn V	gvz	8.8		- <sup>3)</sup>	- <sup>3)</sup>	44,3	81,7	- <sup>3)</sup>	- <sup>3)</sup>	
	FDA	gvz	8.8		- <sup>3)</sup>	- <sup>3)</sup>	44,3	81,7	- <sup>3)</sup>	- <sup>3)</sup>	
	<b>Partial factors<sup>1)</sup></b>										
	Partial factor		$\gamma_{Ms,N}$		[-]	1,50					
	<b>Bearing capacity under shear load, steel failure</b>										
<b>without lever arm</b>											
Characteristic resistance $V^0_{Rk,s}$	FHB-A / FHB-A N	gvz	8.8	[kN]	16,6	28,1	28,1	52,2	61,1 <sup>2)</sup>	90,8 <sup>2)</sup>	
		gvz	5.8		10,4	17,6	17,6	32,7	- <sup>3)</sup>	- <sup>3)</sup>	
		hdg	8.8		16,6	28,1	28,1	52,2	98,0	141,2	
		R	80		24,8	32,8	32,8	62,8	85,8 <sup>4)</sup>	152,6 <sup>4)</sup>	
		HCR	70		25,1	36,9	36,9	55,0	85,8	141,1	
	FHB-A dyn	gvz	8.8		- <sup>3)</sup>	- <sup>3)</sup>	28,1	52,2	98,0	141,2	
		HCR	70		- <sup>3)</sup>	- <sup>3)</sup>	36,9	55,0	- <sup>3)</sup>	- <sup>3)</sup>	
	FHB-A dyn V	gvz	8.8		- <sup>3)</sup>	- <sup>3)</sup>	56,9	96,2	- <sup>3)</sup>	- <sup>3)</sup>	
	FDA	gvz	8.8		- <sup>3)</sup>	- <sup>3)</sup>	28,1	52,2	- <sup>3)</sup>	- <sup>3)</sup>	
	Ductility factor		$k_7$		[-]	1,0					
<b>with lever arm</b>											
Characteristic resistance $M^0_{Rk,s}$	FHB-A / FHB-A N	gvz	8.8	[Nm]	59,8	104,8	104,8	266,4	357,0 <sup>2)</sup>	617,4 <sup>2)</sup>	
		gvz	5.8		37,4	65,5	65,5	166,5	- <sup>3)</sup>	- <sup>3)</sup>	
		hdg	8.8		59,8	104,8	104,8	266,4	519,3	898,0	
		R	80		59,8	104,8	104,8	266,4	454,4 <sup>4)</sup>	785,8 <sup>4)</sup>	
		HCR	70		52,3	91,7	91,7	233,1	454,4	785,8	
	FHB-A dyn	gvz	8.8		- <sup>3)</sup>	- <sup>3)</sup>	104,8	266,4	519,3	898,0	
		HCR	70		- <sup>3)</sup>	- <sup>3)</sup>	91,7	233,1	- <sup>3)</sup>	- <sup>3)</sup>	
	FHB-A dyn V	gvz	8.8		- <sup>3)</sup>	- <sup>3)</sup>	104,8	266,4	- <sup>3)</sup>	- <sup>3)</sup>	
	FDA	gvz	8.8		- <sup>3)</sup>	- <sup>3)</sup>	104,8	266,4	- <sup>3)</sup>	- <sup>3)</sup>	
	<b>Partial factors<sup>1)</sup></b>										
Partial factor		$\gamma_{Ms,V}$	[-]	1,25							

1) In absence of other national regulations

2)  $f_{yk} = 440 \text{ N/mm}^2$  /  $f_{uk} = 550 \text{ N/mm}^2$

3) No performance assessed

4)  $f_{yk} = 560 \text{ N/mm}^2$  /  $f_{uk} = 700 \text{ N/mm}^2$

fischer Highbond-Anchor FHB / FHB dyn / FDA

**Performances**

Characteristic values for steel failure under tension / shear load of fischer anchor rods FHB-A / FHB-A N / FHB-A dyn (V) / FDA

**Annex C 1**

Appendix 35 / 37

<b>Table C2.1: Characteristic values for concrete failure under tension / shear load</b>									
				<b>FHB / FHB N / FHB dyn / FDA</b>					
<b>Size</b>				<b>All sizes</b>					
<b>Tension load</b>									
Installation factor		$\gamma_{inst}$	[-]	See annex C 3					
<b>Factors for the compressive strength of concrete &gt; C20/25</b>									
Increasing factor for $N_{Rk,p}$	C25/30	$\Psi_c$	[-]	1,10					
	C30/37			1,22					
	C35/45			1,34					
	C40/50			1,41					
	C45/55			1,48					
	C50/60			1,55					
<b>Splitting failure</b>									
Edge distance		$C_{cr,sp}$	[mm]	2 $h_{ef}$					
Spacing		$S_{cr,sp}$		4 $h_{ef}$					
<b>Concrete failure</b>									
Uncracked concrete		$k_{ucr,N}$	[-]	11,0					
Cracked concrete		$k_{cr,N}$		7,7					
Edge distance		$C_{cr,N}$	[mm]	1,5 $h_{ef}$					
Spacing		$S_{cr,N}$		3 $h_{ef}$					
<b>Shear load</b>									
Installation factor		$\gamma_{inst}$	[-]	1,0					
<b>Concrete pry-out failure</b>									
Factor for pry-out failure		$k_8$	[-]	2,0					
<b>Concrete edge failure</b>									
Anchor size				10x60	12x80	12x100	16x125	20x170	24x220
Effective length of anchor		$l_f$	[mm]	60	80	100	125	170	220
Calculation diameter		$d_{nom}$		10	12	12	17	22	25
fischer Highbond-Anchor FHB / FHB dyn / FDA									
<b>Performances</b> Characteristic values for concrete failure under tension / shear load									
<b>Annex C 2</b> Appendix 36 / 37									

<b>Table C3.1: Characteristic values for pull-out failure</b> for fischer anchor rods FHB-A / FHB-A N / FHB-A dyn (V) / FDA										
Anchor rod size			10x60	12x80	12x100	16x125	20x170	24x220		
<b>Pull-out failure</b>										
Calculation diameter	d	[mm]	10	12	12	16	20	24		
<b>Uncracked concrete</b>										
<b>Characteristic resistance in uncracked concrete C20/25</b>										
Tem- perature range	I: 24 °C / 40 °C		N <sub>Rk,p</sub>	[kN]	26,9	41,3	42,1	70,5	113,6	122,2
	II: 50 °C / 80 °C				23,7	36,3	37,0	62,0	100,0	107,5
<b>Cracked concrete</b>										
<b>Characteristic resistance in cracked concrete C20/25</b>										
Tem- perature range	I: 24 °C / 40 °C		N <sub>Rk,p</sub>	[kN]	15,5	25,0	30,0	47,8	58,9	89,4
	II: 50 °C / 80 °C				13,6	22,0	26,4	42,1	51,8	78,7
<b>Installation factors</b>										
Dry or wet concrete			γ <sub>inst</sub>	[-]	1,0					
Water filled hole					1,0	1,0	1,0	1,2	1,0	1,0

**Table C3.2: Displacements for fischer anchor rods**  
FHB-A / FHB-A N / FHB-A dyn (V) / FDA

Anchor rod size			10x60	12x80	12x100	16x125	20x170	24x220	
<b>Displacement-Factors for tension load <sup>1)</sup></b>									
<b>Uncracked concrete; Temperature range I, II</b>									
Displacements	$\frac{\delta_{N0}}{\delta_{N\infty}}$		[mm/kN]	0,025	0,01	0,01	0,007	0,006	0,006
				0,05	0,02	0,02	0,014	0,012	0,012
<b>Cracked concrete; Temperature range I, II</b>									
Displacements	$\frac{\delta_{N0}}{\delta_{N\infty}}$		[mm/kN]	0,04	0,02	0,02	0,02	0,02	0,02
				0,06	0,03	0,03	0,03	0,03	0,03
<b>Displacement-Factors for shear load <sup>2)</sup></b>									
<b>Uncracked or cracked concrete; Temperature range I, II</b>									
Displacements	$\frac{\delta_{V0}}{\delta_{V\infty}}$		[mm/kN]	0,025	0,01	0,01	0,007	0,006	0,006
				0,05	0,02	0,02	0,014	0,012	0,012

1) Calculation of effective displacement:

$$\delta_{N0} = \delta_{N0\text{-Factor}} \cdot N_{Ed}$$

$$\delta_{N\infty} = \delta_{N\infty\text{-Factor}} \cdot N_{Ed}$$

(N<sub>Ed</sub>: Design value of the applied tensile force)

2) Calculation of effective displacement:

$$\delta_{V0} = \delta_{V0\text{-Factor}} \cdot V_{Ed}$$

$$\delta_{V\infty} = \delta_{V\infty\text{-Factor}} \cdot V_{Ed}$$

(V<sub>Ed</sub>: Design value of the applied shear force)

fischer Highbond-Anchor FHB / FHB dyn / FDA

**Performances**

Characteristic values for combined pull-out and concrete failure;  
Displacements for fischer anchor rods FHB-A / FHB-A N / FHB-A dyn (V) / FDA

**Annex C 3**

Appendix 37 / 37