

DICHIARAZIONE DI PRESTAZIONE

DoP 0221

per il Sistema a Iniezione fischer FORZA PRO (ancorante chimico per l'utilizzo nel calcestruzzo)

IT

1. Codice di identificazione unico del prodotto-tipo: **DoP 0221**
2. Usi previsti: **Fissaggio post-installato in calcestruzzo non fessurato, vedi appendice, in particolare gli allegati da B1 - B7.**
3. Fabbricante: **fischerwerke GmbH & Co. KG, Klaus-Fischer-Str. 1, 72178 Waldachtal, Germany**
4. Mandatario: **-**
5. Sistemi di VVCP: **1**
6. Documento per la valutazione europea: **EAD 330499-01-0601**
Valutazione tecnica europea: **ETA-19/0612; 2019-12-06**
Organismo di valutazione tecnica: **DIBt- Deutsches Institut für Bautechnik**
Organismi notificati: **2873 TU Darmstadt**
7. Prestazioni dichiarate:
Resistenza meccanica e stabilità (BWR 1)
Resistenza caratteristica al carico di tensione (carico statico e quasi-statico):
Resistenza alla rottura dell'acciaio: Allegato C1
Resistenza alla rottura del calcestruzzo combinata con sfilamento: Allegato C3
Resistenza alla rottura del cono di calcestruzzo: Allegato C2
Distanza dal bordo per evitare lo splitting sotto carico: Allegato C2
Robustezza: Allegati C2, C3
Massima coppia di installazione: Allegato B3
Distanza dal bordo e interassi minimi: Allegato B3
Resistenza caratteristica al carico di taglio (carico statico e quasi statico):
Resistenza alla rottura dell'acciaio: Allegato C1
Resistenza alla rottura per pry-out: Allegato C2
Resistenza alla rottura del bordo di calcestruzzo: Allegato C2
Spostamenti con carichi a breve e a lungo termine:
Spostamenti con carichi a breve e a lungo termine: Allegato C3
Resistenza e spostamenti caratteristici per le categorie di prestazione sismica C1 e C2:
Resistenza al carico di trazione, spostamenti, categoria C1: NPD
Resistenza al carico di trazione, spostamenti, categoria C2: NPD
Resistenza al carico di taglio, spostamenti, categoria C1: NPD
Resistenza al carico di taglio, spostamenti, categoria C2: NPD
Fattore spazio anulare: NPD
Igiene, salute e ambiente (BWR 3)
Contenuto, emissione e/o rilascio di sostanze pericolose: NPD
8. Documentazione tecnica appropriata e/o documentazione tecnica specifica: **-**

La prestazione del prodotto sopra identificato è conforme all'insieme delle prestazioni dichiarate. La presente dichiarazione di prestazione è emessa, in conformità al regolamento (UE) n. 305/2011, sotto la sola responsabilità del fabbricante sopra identificato.

Firmato a nome e per conto del fabbricante da:



Dr.-Ing. Oliver Geibig, Direttore Generale Unità di Business & Engineering
Tumlingen, 2022-01-03



Jürgen Grün, Direttore Generale Chimica & Qualità

Questa Dichiarazione di Prestazione (DoP) è stata preparata in varie lingue. In caso di contestazioni sull'interpretazione, prevarrà sempre la versione inglese.

L'Appendice include informazioni volontarie e complementari in lingua inglese che superano i requisiti di legge (lingua specificata in modo neutrale).

Specific Part

1 Technical description of the product

The fischer injection system FORZA PRO is a bonded anchor consisting of a cartridge with injection mortar fischer FORZA PRO, FORZA PRO High Speed or FORZA PRO Low Speed and a steel element. The steel element consist of a fischer anchor rod with washer and hexagon nut in the range of M8 to M24

The steel element is placed into a drilled hole filled with injection mortar and is anchored via the bond between metal part, injection mortar and concrete.

The product description is given in Annex A.

2 Specification of the intended use in accordance with the applicable European Assessment Document

The performances given in Section 3 are only valid if the anchor is used in compliance with the specifications and conditions given in Annex B.

The verifications and assessment methods on which this European Technical Assessment is based lead to the assumption of a working life of the anchor of at least 50 years. The indications given on the working life cannot be interpreted as a guarantee given by the producer, but are to be regarded only as a means for choosing the right products in relation to the expected economically reasonable working life of the works.

3 Performance of the product and references to the methods used for its assessment

3.1 Mechanical resistance and stability (BWR 1)

Essential characteristic	Performance
Characteristic resistance to tension load (static and quasi-static loading)	See Annex C 1, C 2, C 3
Characteristic resistance to shear load (static and quasi-static loading)	See Annex C 1, C 2
Displacements (static and quasi-static loading)	See Annex C 3
Characteristic resistance and displacements for seismic performance category C1 and C2	No performance assessed
Durability	See Annex B 1

3.2 Hygiene, health and the environment (BWR 3)

Essential characteristic	Performance
Content, emission and/or release of dangerous substances	No performance assessed

4

Assessment and verification of constancy of performance (AVCP) system applied, with reference to its legal base

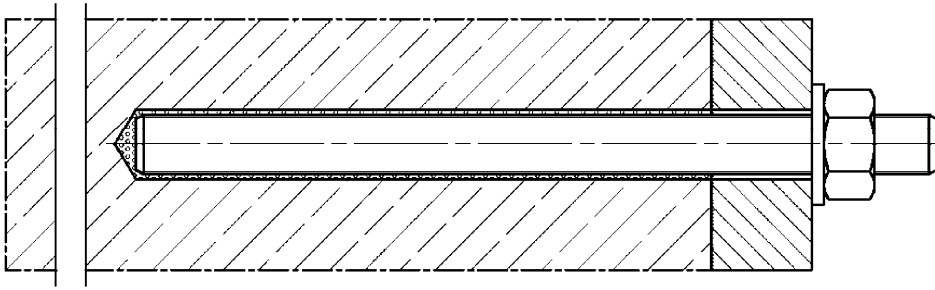
In accordance with the European Assessment Document EAD 330499-01-0601 the applicable European legal act is: [96/582/EC].

The system to be applied is: 1

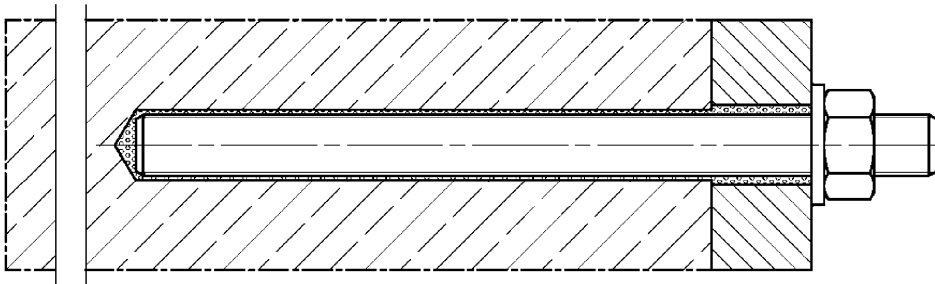
Installation conditions

fischer anchor rod

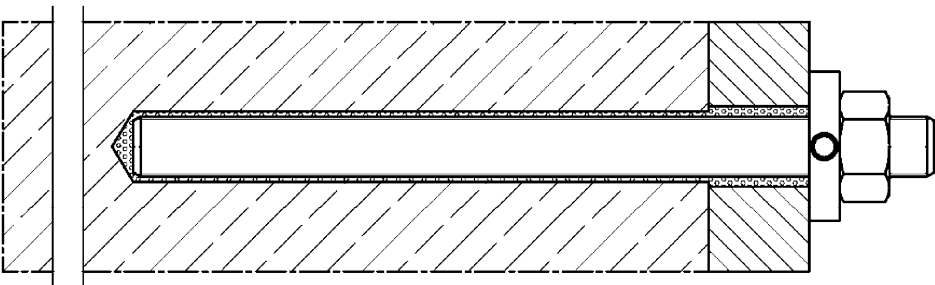
Pre-positioned installation



Push through installation (annular gap filled with mortar)



Pre-positioned or push through installation with subsequently injected filling disk
(annular gap filled with mortar)



Figures not to scale

fischer injection system FORZA PRO

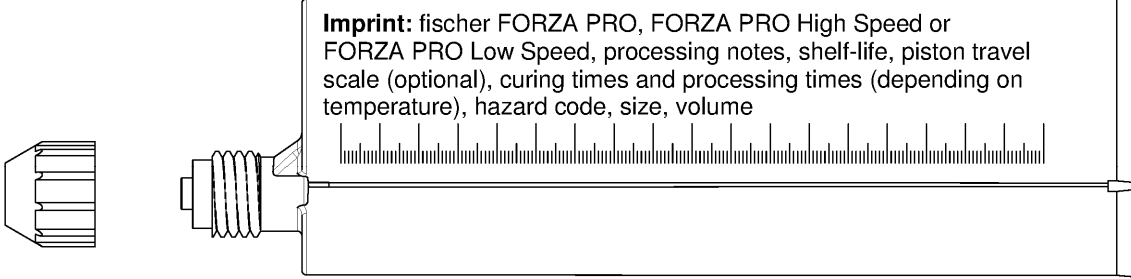
Product description
Installation conditions

Annex A 1

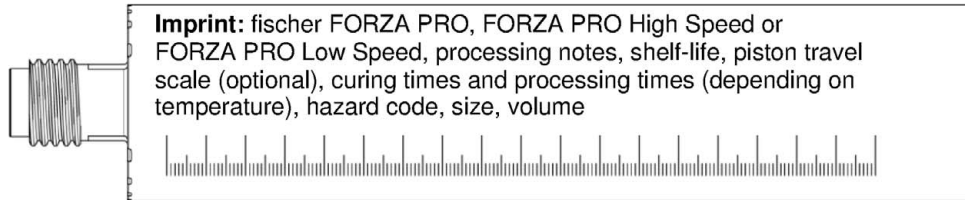
Appendix 3/ 16

Overview system components part 1

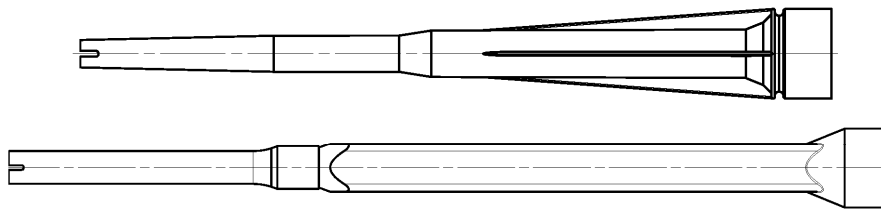
Injection cartridge (shuttle cartridge) with sealing cap; Size: 350 ml, 360 ml, 390 ml, 550 ml, 950 ml, 1500 ml



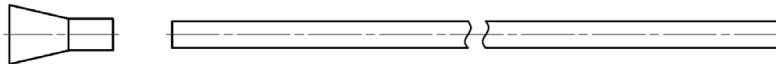
Injection cartridge (coaxial cartridge) with sealing cap; Size: 100 ml, 150 ml, 300 ml, 380 ml, 400 ml, 410 ml



Static mixer FIS MR Plus or UMR



Injection adapter and Extension tube for static mixer



Cleaning brush BS / BSB



Blow-out pump ABG or ABP



Figures not to scale

fischer injection system FORZA PRO

System description

Overview system components part 1;
cartridges / static mixer / accessories

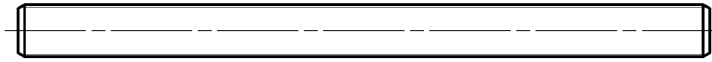
Annex A 2

Appendix 4/ 16

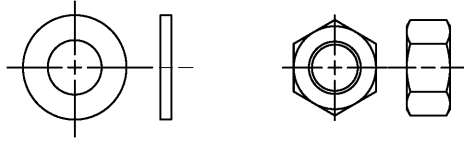
Overview system components part 2

fischer anchor rod

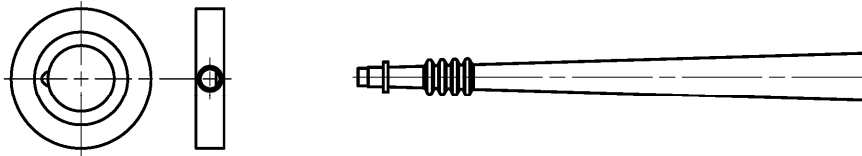
Size: M8, M10, M12, M16, M20, M24



washer / hexagon nut



fischer filling disk FFD with injection adapter



Figures not to scale

fischer injection system FORZA PRO

System description

Overview system components part 2;
steel components

Annex A 3

Appendix 5/ 16

Table A4.1: Materials				
Part	Designation	Material		
1	Injection cartridge	Mortar, hardener, filler		
	Steel grade	Steel, zinc plated	Stainless steel A4 ¹⁾	High corrosion resistant steel C ²⁾
2	Anchor rod	Property class 5.8 or 8.8; EN ISO 898-1:2013 zinc plated $\geq 5 \mu\text{m}$, EN ISO 4042:1999 A2K or hot-dip galvanized $\geq 40 \mu\text{m}$ EN ISO 10684:2004 $f_{uk} \leq 1000 \text{ N/mm}^2$ $A_5 > 8\%$ fracture elongation	Property class 50, 70 or 80 EN ISO 3506-1:2009 1.4401; 1.4404; 1.4578; 1.4571; 1.4439; 1.4362; 1.4062, 1.4662, 1.4462; EN 10088-1:2014 $f_{uk} \leq 1000 \text{ N/mm}^2$ $A_5 > 8\%$ fracture elongation	Property class 50 or 80 EN ISO 3506-1:2009 or property class 70 with $f_{yk} = 560 \text{ N/mm}^2$ 1.4565; 1.4529; EN 10088-1:2014 $f_{uk} \leq 1000 \text{ N/mm}^2$ $A_5 > 8\%$ fracture elongation
3	Washer ISO 7089:2000	zinc plated $\geq 5 \mu\text{m}$, EN ISO 4042:1999 A2K or hot-dip galvanized $\geq 40 \mu\text{m}$ EN ISO 10684:2004	1.4401; 1.4404; 1.4578; 1.4571; 1.4439; 1.4362; EN 10088-1:2014	1.4565; 1.4529; EN 10088-1:2014
4	Hexagon nut	Property class 5 or 8; EN ISO 898-2:2012 zinc plated $\geq 5 \mu\text{m}$, ISO 4042:1999 A2K or hot-dip galvanized $\geq 40 \mu\text{m}$ EN ISO 10684:2004	Property class 50, 70 or 80 EN ISO 3506-1:2009 1.4401; 1.4404; 1.4578; 1.4571; 1.4439; 1.4362; EN 10088-1:2014	Property class 50, 70 or 80 EN ISO 3506-1:2009 1.4565; 1.4529 EN 10088-1:2014
5	fischer filling disk FFD similar to DIN 6319-G	zinc plated $\geq 5 \mu\text{m}$, EN ISO 4042:1999 A2K or hot-dip galvanized $\geq 40 \mu\text{m}$ EN ISO 10684:2004	1.4401; 1.4404; 1.4578; 1.4571; 1.4439; 1.4362; EN 10088-1:2014	1.4565; 1.4529; EN 10088-1:2014

1) acc. to EN 10088-1:2014 Corrosion resistance class CRC III acc. to EN 1993-1-4:2015

2) acc. to EN 10088-1:2014 Corrosion resistance class CRC V acc. to EN 1993-1-4:2015

fischer injection system FORZA PRO




Product description
Materials

Annex A 4

Appendix 6/ 16

Specifications of intended use (part 1)

Table B1.1: Overview use and performance categories

Anchorages subject to		FORZA PRO with ...	
		Anchor rod 	
Hammer drilling with standard drill bit		all sizes	
Hammer drilling with hollow drill bit (fischer FHD, Heller "Duster Expert"; Bosch „Speed Clean“; Hilti "TE-CD, TE-YD")		Nominal drill bit diameter (d_0) 12 mm to 28 mm	
Static and quasi static load, in	uncracked concrete	all sizes	Tables: C1.1 C2.1 C3.1 C3.2
Use category	11	dry or wet concrete	all sizes
	12	Flooded hole	M12 to M24
Installation direction		D3 (downward and horizontal and upwards (e.g. overhead) installation)	
Installation method		pre-positioned or push through installation	
Installation temperature		$T_{i,min} = 0\text{ °C}$ to $T_{i,max} = +40\text{ °C}$	
In-service temperature	Temperature range I	-40 °C to +40 °C	$T_{st} = +40\text{ °C}$ / $T_{lt} = +24\text{ °C}$
	Temperature range II	-40 °C to +80 °C	$T_{st} = +80\text{ °C}$ / $T_{lt} = +50\text{ °C}$

fischer injection system FORZA PRO

Intended use
Specifications (part 1)

Annex B 1

Appendix 7/ 16

Specifications of intended use (part 2)

Base materials:

- Compacted reinforced or unreinforced normal weight concrete without fibres of strength classes C20/25 to C50/60 according to EN 206:2013+A1:2016

Use conditions (Environmental conditions):

- Structures subject to dry internal conditions (zinc coated steel, stainless steel or high corrosion resistant steel)
- For all other conditions according to EN1993-1-4:2006+A1:2015 corresponding to corrosion resistance classes to Annex A 4 table 4.1

Design:

- Anchorages have to be designed by a responsible engineer with experience of concrete anchor design.
- Verifiable calculation notes and drawings are to be prepared taking account of the loads to be anchored. The position of the anchor is indicated on the design drawings (e. g. position of the anchor relative to reinforcement or to supports, etc.)
- The Anchorages are designed in accordance to EN 1992-4:2018 and Technical Report TR 055, Edition February 2018

Installation:

- Anchor installation is to be carried out by appropriately qualified personnel and under the supervision of the person responsible for technical matters of the site
- In case of aborted hole: The hole shall be filled with mortar
- Anchorage depth should be marked and adhered to on installation
- Overhead installation is allowed

fischer injection system FORZA PRO

Intended use
Specifications (part 2)

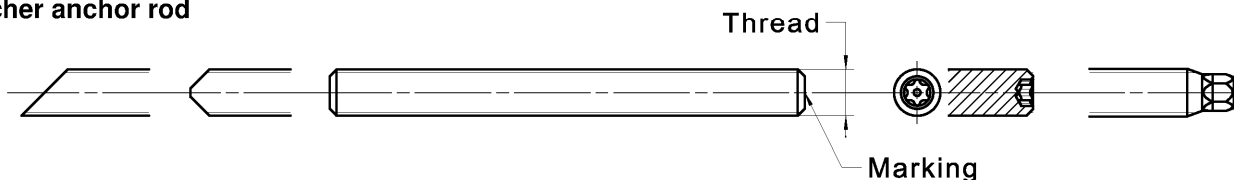
Annex B 2

Appendix 8/ 16

Table B3.1: Installation parameters plus minimum spacing and minimum edge distance for anchor rods

Anchor rods		Thread	M8	M10	M12	M16	M20	M24
Width across flats	SW	[mm]	13	17	19	24	30	36
Nominal drill hole diameter	d_0		10	12	14	18	24	28
Drill hole depth	h_0		$h_0 = h_{ef}$					
Effective embedment depth	$h_{ef, min}$		60	60	70	80	90	96
	$h_{ef, max}$		160	200	240	320	400	480
Minimum spacing and minimum edge distance	s_{min} = c_{min}		40	45	55	65	85	105
	Diameter of the clearance hole of the fixture		Pre-positioned installation d_f	9	12	14	18	22
push through installation d_f			11	14	16	20	26	30
Minimum thickness of concrete member	h_{min}		$h_{ef} + 30 (\geq 100)$			$h_{ef} + 2d_0$		
Maximum torque moment for attachment of the fixture	$\max T_{fix}$		[Nm]	10	20	40	60	120

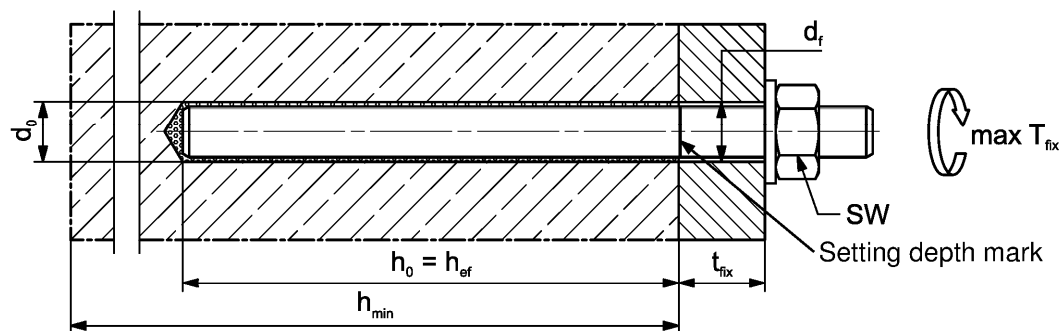
fischer anchor rod



Marking (on random place) fischer anchor rod:

Property class 8.8, stainless steel, property class 80 and high corrosion resistant steel, property class 80: •
 Stainless steel A4, property class 50 and high corrosion resistant steel, property class 50: ••
 Alternatively: Colour coding according to DIN 976-1

Installation conditions:



Commercial standard threaded rods, washers and hexagon nuts may also be used if the following requirements are fulfilled

- Materials, dimensions and mechanical properties according to Annex A 4, Table A4.1
- Inspection certificate 3.1 according to EN 10204:2004, the documents have to be stored
- Setting depth is marked

Figures not to scale

fischer injection system FORZA PRO

Intended use

Installation parameters anchor rods

Annex B 3

Appendix 9/ 16

Table B4.1: Parameters of the cleaning brush BS/BSB (steel brush with steel bristles)

The size of the cleaning brush refers to the drill hole diameter

Nominal drill hole diameter	d_o	[mm]	10	12	14	18	24	28
Steel brush diameter	d_b		11	14	16	20	26	30



Table B4.2: Maximum processing time of the mortar and minimum curing time (During the curing time of the mortar the concrete temperature may not fall below the listed minimum temperature. Minimal cartridge temperature +5 °C)

Temperature at anchoring base [°C]	Maximum processing time t_{work}			Minimum curing time t_{cure} ¹⁾		
	FORZA PRO High Speed	FORZA PRO	FORZA PRO Low Speed	FORZA PRO High Speed	FORZA PRO	FORZA PRO Low Speed
> ±0 to +5	5 min	13 min	---	3 h	3 h	6 h
> +5 to +10	3 min	9 min	20 min	50 min	90 min	3 h
> +10 to +20	1 min	5 min	10 min	30 min	60 min	2 h
> +20 to +30	---	4 min	6 min	---	45 min	60 min
> +30 to +40	---	2 min	4 min	---	35 min	30 min

¹⁾ In wet concrete or water filled holes the curing times must be doubled

fischer injection system FORZA PRO

Intended use

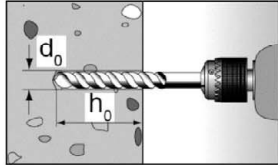
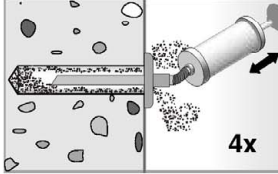
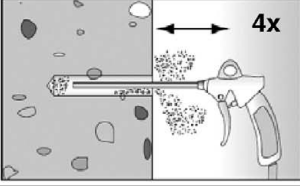
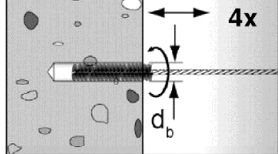
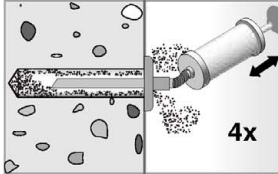
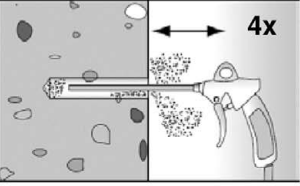
Parameters of the cleaning brush (steel brush)
Processing time and curing time

Annex B 4

Appendix 10/ 16

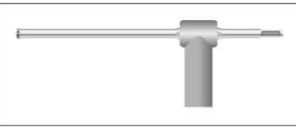
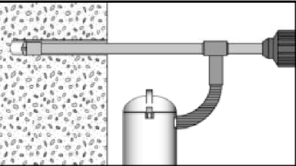
Installation instructions part 1

Drilling and cleaning the hole (hammer drilling with standard drill bit)

1		<p>Drill the hole. Nominal drill hole diameter d_0 and drill hole depth h_0 see table B3.1</p>		
2		<p>Clean the drill hole: For $h_{ef} \leq 12d$ and $d_0 < 18$ mm blow out the hole four times by hand</p>		<p>For $h_{ef} > 12d$ and / or $d_0 \geq 18$ mm blow out the hole four times with oil-free compressed air ($p \geq 6$ bar)</p>
3		<p>Brush the drill hole four times. For deep holes use an extension. Corresponding brushes see table B4.1</p>		
4		<p>Clean the drill hole: For $h_{ef} \leq 12d$ and $d_0 < 18$ mm blow out the hole four times by hand</p>		<p>For $h_{ef} > 12d$ and / or $d_0 \geq 18$ mm blow out the hole four times with oil-free compressed air ($p \geq 6$ bar)</p>

Go to step 5

Drilling and cleaning the hole (hammer drilling with hollow drill bit)

1		<p>Check a suitable hollow drill (see table B1.1) for correct operation of the dust extraction</p>
2		<p>Use a suitable dust extraction system, e. g. fischer FVC 35 M or a comparable dust extraction system with equivalent performance data</p> <p>Drill the hole with hollow drill bit. The dust extraction system has to extract the drill dust nonstop during the drilling process and must be adjusted to maximum power. Nominal drill hole diameter d_0 and drill hole depth h_0 see table B3.1</p>

Go to step 5

fischer injection system FORZA PRO

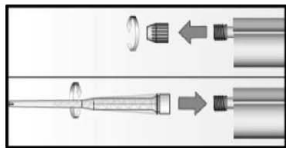
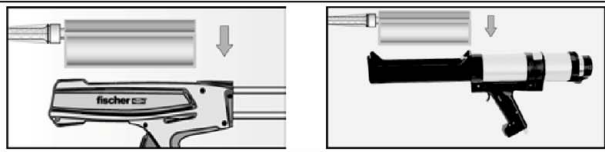
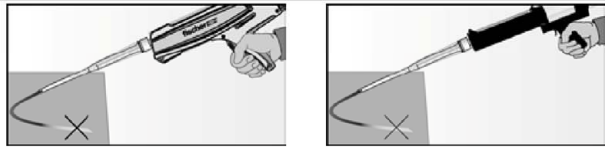
Intended use
Installation instructions part 1

Annex B 5

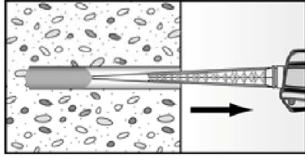
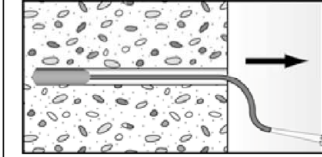
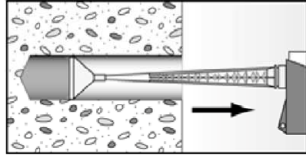
Appendix 11/ 16

Installation instructions part 2

Preparing the cartridge

5		Remove the sealing cap Screw on the static mixer (the spiral in the static mixer must be clearly visible)
6		Place the cartridge into the dispenser
7		Extrude approximately 10 cm of material out until the resin is evenly grey in colour. Do not use mortar that is not uniformly grey

Injection of the mortar

8			
Fill approximately 2/3 of the drill hole with mortar. Always begin from the bottom of the hole and avoid bubbles	For drill hole depth ≥ 150 mm use an extension tube	For overhead installation, deep holes ($h_0 > 250$ mm) use an injection-adaptor	

Go to step 9

fischer injection system FORZA PRO

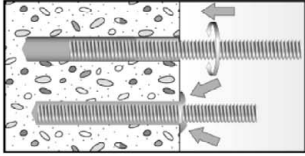
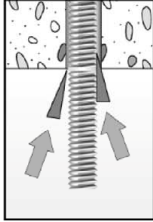
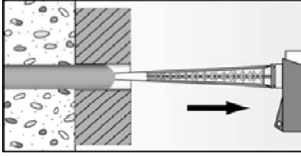

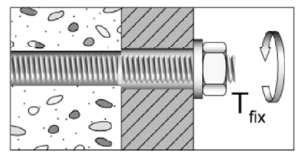
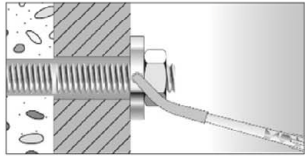
Intended use
Installation instructions part 2

Annex B 6

Appendix 12/ 16

Installation instructions part 3

Installation of anchor rods

9		<p>Only use clean and oil-free anchor elements. Mark the setting depth of the anchor. Push the anchor rod down to the bottom of the hole, turning it slightly while doing so. After inserting the anchor element, excess mortar must be emerged around the anchor element.</p>
	 <p>For overhead installations support the anchor rod with wedges. (e. g. fischer centering wedges)</p>	 <p>For push through installation fill the annular gap with mortar</p>
10	 <p>Wait for the specified curing time t_{cure} see table B4.2</p>	<p>11</p>  <p>Mounting the fixture max T_{fix} see table B3.1</p>
Option		<p>After the minimum curing time is reached, the gap between anchor and fixture (annular clearance) may be filled with mortar via the fischer filling disc FFD. Compressive strength $\geq 50 \text{ N/mm}^2$ (e.g. fischer injection mortars FIS HB, FIS SB, FIS V, FIS EM Plus, FORZA PRO) ATTENTION: Using fischer filling disk FFD reduces t_{fix} (usable length of the anchor)</p>

fischer injection system FORZA PRO

Intended use
 Installation instructions part 3

Annex B 7

Appendix 13/ 16

Table C1.1: Essential characteristic for the **steel bearing capacity** under tensile / shear load of **fischer anchor rods** and **standard threaded rods**

Anchor rod / standard threaded rod		M8	M10	M12	M16	M20	M24		
Bearing capacity under tensile load, steel failure³⁾									
Characteristic resistance $N_{Rk,s}$	Steel zinc plated	5.8	[kN]	19 (17)	29 (27)	43	79	123	177
		8.8		29 (27)	47 (43)	68	126	196	282
	Property class	50		19	29	43	79	123	177
		70		26	41	59	110	172	247
		80		30	47	68	126	196	282
Partial factors¹⁾									
Partial factor $\gamma_{Ms,N}$	Steel zinc plated	5.8	[-]	1,50					
		8.8		1,50					
	Property class	50		2,86					
		70		1,50 ²⁾ / 1,87					
		80		1,60					
Bearing capacity under shear load, steel failure									
without lever arm³⁾									
Characteristic resistance $V_{Rk,s}$	Steel zinc plated	5.8	[kN]	9 (8)	15 (13)	21	39	61	89
		8.8		15 (13)	23 (21)	34	63	98	141
	Property class	50		9	15	21	39	61	89
		70		13	20	30	55	86	124
		80		15	23	34	63	98	141
Ductility factor	k_7	[-]	1,0						
with lever arm³⁾									
Charact. resistance $M_{Rk,s}$	Steel zinc plated	5.8	[Nm]	19 (16)	37 (33)	65	166	324	560
		8.8		30 (26)	60 (53)	105	266	519	896
	Property class	50		19	37	65	166	324	560
		70		26	52	92	232	454	784
		80		30	60	105	266	519	896
Partial factors¹⁾									
Partial factor $\gamma_{Ms,V}$	Steel zinc plated	5.8	[-]	1,25					
		8.8		1,25					
	Property class	50		2,38					
		70		1,25 ²⁾ / 1,56					
		80		1,33					

¹⁾ In absence of other national regulations

²⁾ Only admissible for high corrosion resistant steel C, with $f_{yk} / f_{uk} \geq 0,8$ and $A_5 > 12 \%$ (e.g. fischer anchor rods)

³⁾ Values in brackets are valid for undersized threaded rods with smaller stress area A_s for hotdip galvanized standard threaded rods according to EN ISO 10684:2004+AC:2009.

fischer injection system FORZA PRO

Performance

Essential characteristics for the steel bearing capacity of fischer anchor rods and standard threaded rods

Annex C 1

Appendix 14/ 16

Table C2.1: Essential characteristics under tensile / shear load

Size		All sizes						
Tensile load								
Uncracked concrete	$k_{ucr,N}$	[-]	11,0					
Factors for the compressive strength of concrete > C20/25								
Increasing factor for τ_{RK}	C25/30	Ψ_c	[-]	1,05				
	C30/37			1,10				
	C35/45			1,15				
	C40/50			1,19				
	C45/55			1,22				
	C50/60			1,26				
Splitting failure								
Edge distance	$h / h_{ef} \geq 2,0$	$C_{cr,sp}$	[mm]	1,0 h_{ef}				
	$2,0 > h / h_{ef} > 1,3$			4,6 h_{ef} - 1,8 h				
	$h / h_{ef} \leq 1,3$			2,26 h_{ef}				
Spacing	$S_{cr,sp}$			2 $C_{cr,sp}$				
Concrete cone failure								
Edge distance	$C_{cr,N}$	[mm]	1,5 h_{ef}					
Spacing	$S_{cr,N}$		2 $C_{cr,N}$					
Installation factor tensile load	γ_{inst}	[-]	1,2					
Shear load								
Installation factor shear load	γ_{inst}	[-]	1,0					
Concrete pry-out failure								
Factor for pry-out failure	k_8	[-]	2,0					
Concrete edge failure								
value of h_{ef} (= l_t) under shear load		[-]	Conditions according to EN 1992-4:2018: chapter 7.2.2.5; Section 6; equation 7.43					
Calculation diameters								
Size			M8	M10	M12	M16	M20	M24
fischer anchor rods and standard threaded rods	d_{nom}	[mm]	8	10	12	16	20	24

fischer injection system FORZA PRO

Performance
Essential characteristics under tensile / shear load

Annex C 2

Appendix 15/ 16

Table C3.1: Essential characteristics of **tensile resistance** for **fischer anchor rods** and **standard threaded rods** in hammer drilled holes; **uncracked concrete**

Anchor rod / standard threaded rod		M8	M10	M12	M16	M20	M24	
Combined pullout and concrete cone failure								
Calculation diameter	d	[mm]	8	10	12	16	20	24
Uncracked concrete								
Characteristic bond resistance in uncracked concrete C20/25								
Hammer-drilling with standard drill bit or hollow drill bit (dry or wet concrete)								
Tem- perature range	I: 24 °C / 40 °C	$\tau_{Rk,ucr}$ [N/mm ²]	7,5	7,5	7,5	7,5	7	7
	II: 50 °C / 80 °C		6,5	6,5	6,5	6,5	6	6
Hammer-drilling with standard drill bit or hollow drill bit (flooded hole)								
Tem- perature range	I: 24 °C / 40 °C	$\tau_{Rk,ucr}$ [N/mm ²]	---	---	7,5	7,5	7	7
	II: 50 °C / 80 °C		---	---	6,5	6,5	6	6
Reduction factor ψ_{sus}^0 in uncracked concrete C20/25								
All Temperature ranges	ψ_{sus}^0	[-]	No performance assessed					
Installation factors								
Dry or wet concrete	γ_{inst}	[-]	1,0					
Flooded hole			---	1,2 ¹⁾				

¹⁾ Only with coaxial cartridges: 380ml, 400 ml, 410 ml

Table C3.2: Displacements for anchor rods

Anchor rod		M8	M10	M12	M16	M20	M24
Displacement-Factors for tensile load¹⁾							
Uncracked concrete; Temperature range I, II							
δ_{N0} -Factor	[mm/(N/mm ²)]	0,09	0,09	0,10	0,10	0,10	0,10
$\delta_{N\infty}$ -Factor		0,10	0,10	0,12	0,12	0,12	0,13
Displacement-Factors for shear load²⁾							
Uncracked concrete; Temperature range I, II							
δ_{V0} -Factor	[mm/kN]	0,11	0,11	0,10	0,10	0,09	0,09
$\delta_{V\infty}$ -Factor		0,12	0,12	0,11	0,11	0,10	0,10

¹⁾ Calculation of effective displacement:

$$\delta_{N0} = \delta_{N0\text{-Factor}} \cdot \tau_{Ed}$$

$$\delta_{N\infty} = \delta_{N\infty\text{-Factor}} \cdot \tau_{Ed}$$

(τ_{Ed} : Design value of the applied tensile stress)

²⁾ Calculation of effective displacement:

$$\delta_{V0} = \delta_{V0\text{-Factor}} \cdot V_{Ed}$$

$$\delta_{V\infty} = \delta_{V\infty\text{-Factor}} \cdot V_{Ed}$$

(V_{Ed} : Design value of the applied shear force)

fischer injection system FORZA PRO

Performance

Essential characteristics of tensile resistance (uncracked concrete) for fischer anchor rod, standard threaded rods, Displacement for anchor rods

Annex C 3

Appendix 16/ 16