

## DECLARACIÓN DE PRESTACIONES

### DoP 0307

para anclaje de placas fischer Zykon FZP II

ES

1. Código de identificación única del producto tipo: **DoP 0307**
2. Usos previstos: **Anclaje de placas de piedra natural en fachadas de acuerdo con EN 1469, véase el apéndice, especialmente los anexos B1 - B7.**
3. Fabricante: **fischerwerke GmbH & Co. KG, Klaus-Fischer-Str. 1, 72178 Waldachtal, Alemania**
4. Representante autorizado: **-**
5. Sistemas de evaluación y verificación de la constancia de las prestaciones (EVCP): **2+**
6. Documento de evaluación europeo: **EAD 330030-00-0601, Edition 10/2018**  
Evaluación técnica europea: **ETA-11/0145; 2022-06-09**  
Organismo de evaluación técnica: **DIBt- Deutsches Institut für Bautechnik**  
Organismos notificados: **2873 TU Darmstadt**
7. Prestaciones declaradas:  
**Resistencia mecánica y estabilidad (BWR 1)**  
Resistencia característica a la rotura o al arranque bajo carga a tracción: Anexo C1  
Resistencia característica a la rotura o al arranque bajo carga a cortante: Anexo C1  
Resistencia característica a la rotura o al arranque bajo carga combinada a tracción y a cortante: Anexo C1 Y=NPD; F<sub>Rk</sub>=NPD  
  
Distancia al borde y entre anclajes: Anexos B3, C1  
Durabilidad: Anexo A3 (CRC-III)  
Resistencia característica por rotura de acero bajo carga combinada a tracción y a cortante: Anexo C1  
  
**Seguridad en caso de incendio (BWR 2)**  
Reacción al fuego: Clase (A1)
8. Documentación técnica adecuada o documentación técnica específica: **-**

Las prestaciones del producto identificado anteriormente son conformes con el conjunto de prestaciones declaradas. La presente declaración de prestaciones se emite, de conformidad con el Reglamento (UE) no 305/2011, bajo la sola responsabilidad del fabricante arriba identificado.

Firmado por y en nombre del fabricante por:



Dr.-Ing. Oliver Geibig, Director General Unidades de Negocio e Ingeniería  
Tumlingen, 2022-07-01



Jürgen Grün, Director General de Química y Calidad

Esta DoP se ha preparado en distintos idiomas. En caso de que haya alguna controversia sobre la interpretación prevalecerá siempre la versión inglesa.

El Apéndice incluye información voluntaria y complementaria en idioma inglés que excede los requisitos legales (de idioma neutral).

## Specific Part

### 1 Technical description of the product

The fischer-Zykon-panel anchor FZP II is a special anchor of sizes M 6, M 8 and M 10 which consists of a cone bolt (with external thread or internal thread), an expansion part, a sleeve and, if need be, a nut. Cone bolt and expansion part are made of stainless steel. The sleeve is made of stainless steel or carbon. The nut is made of stainless steel or aluminium. The anchor is put into an undercut drill hole and by driving-in of the sleeve it is placed form-fit.

The product description is given in Annex A. The material values, dimensions and tolerances of the components of the fastener not indicated in the annexes shall correspond to the values laid down in the technical documentation.

### 2 Specification of the intended use in accordance with the applicable European Assessment Document

The performances given in Section 3 are only valid if the anchor is used in compliance with the specifications and conditions given in Annex B.

The verifications and assessment methods on which this European Technical Assessment is based lead to the assumption of a working life of the anchors of at least 50 years. The indications given on the working life cannot be interpreted as a guarantee given by the producer, but are to be regarded only as a means for choosing the right products in relation to the expected economically reasonable working life of the works.

### 3 Performance of the product and references to the methods used for its assessment

#### 3.1 Mechanical resistance and stability (BWR 1)

Essential characteristic	Performance
Characteristic resistance to breakout or pull-out failure under tension load	See Annex C 1
Characteristic resistance to breakout or pull-out failure under shear load	See Annex C 1
Characteristic resistance to breakout or pull-out failure under combined tension and shear load	See Annex C 1
Edge distance and spacing	See Annex B 3 and Annex C 1
Durability	Corrosion Resistance Class (CRC) III in accordance with EN 1993-1-4:2015
Characteristic resistance to steel failure under tension and shear loads	See Annex C 1

#### 3.2 Safety in case of fire (BWR 2)

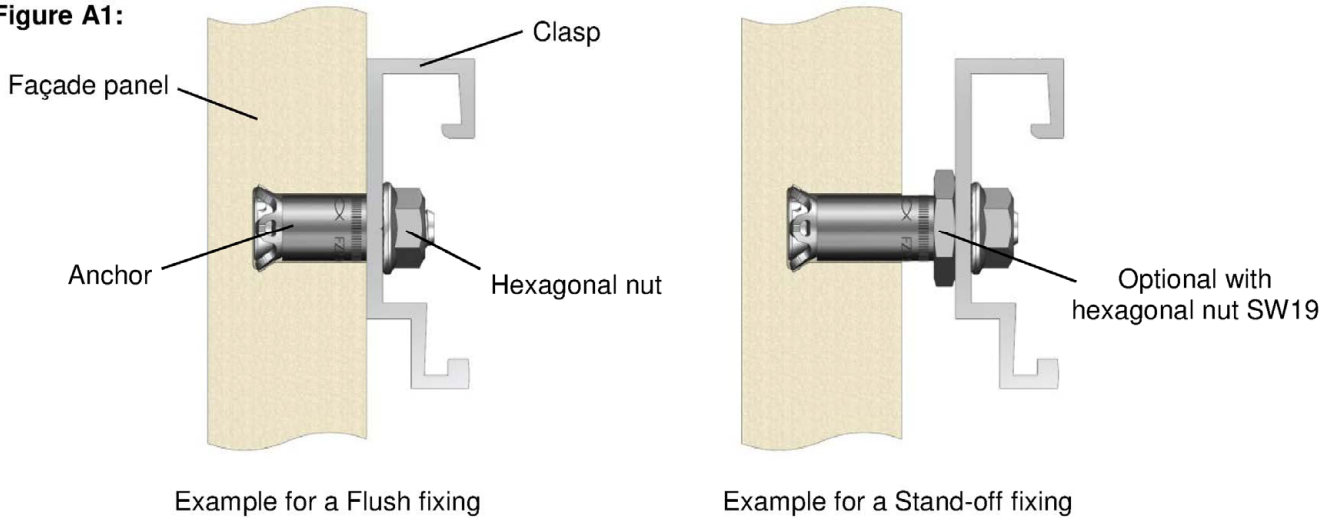
Essential characteristic	Performance
Reaction to fire	Class A1

**4 Assessment and verification of constancy of performance (AVCP) system applied, with reference to its legal base**

In accordance with EAD No. 330030-00-0601 the applicable European legal act is: [97/161/EG].  
The system to be applied is: 2+

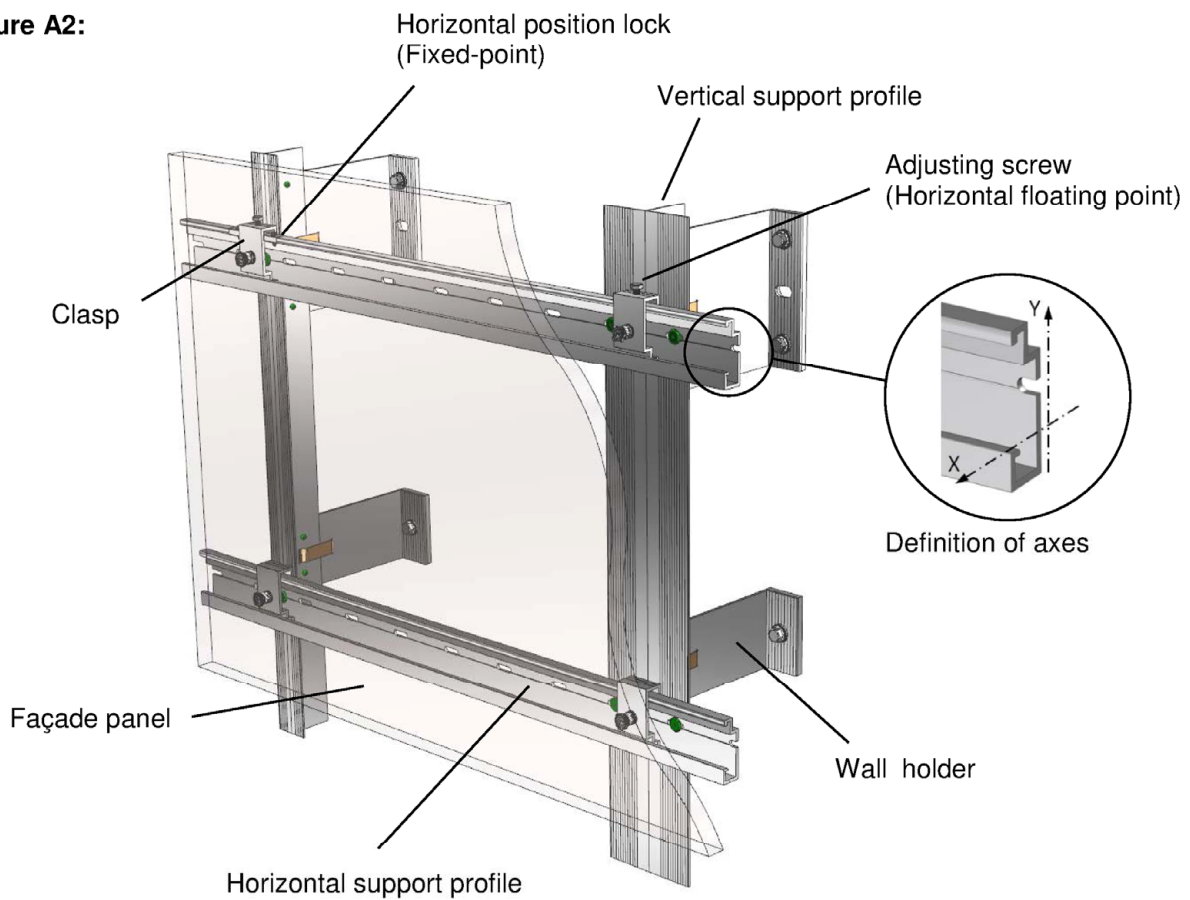
### Installed fastener

Figure A1:



### Example of façade panel on substructure

Figure A2:



## fischer Zykon panel anchor FZP

### Product description

Installed anchoring and fixing example

## Annex A 1

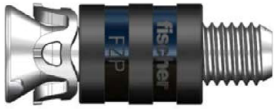
Appendix 3 / 13

## Type of anchor

### Anchor with external thread

Figure A3:

With carbon fibre sleeve



With steel sleeve



Optionally with expansion part HP <sup>1)</sup>



With carbon fibre sleeve and sleeve flange



With Steel sleeve and hex nut SW19



With steel sleeve and hex nut ES <sup>2)</sup>



### Anchor with internal thread

Figure A4:

With carbon fibre sleeve



With steel sleeve

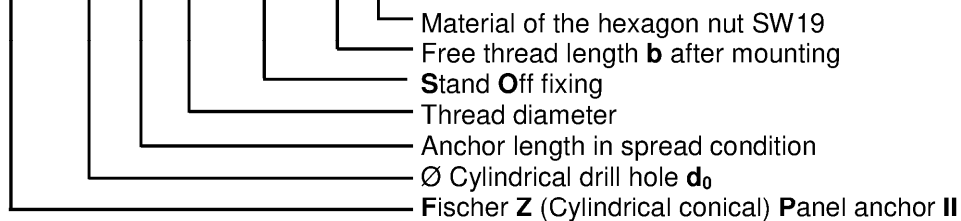


<sup>1)</sup> HP anchor (High Performance anchor for applications in high-strength rock)

<sup>2)</sup> Hex nut ES for suspension systems

### Identification system

Example. FZP II 13 x 26 M8 / SO / 17 Al



## fischer Zykon panel anchor FZP

### Product description

Type of anchor and identification system

## Annex A 2

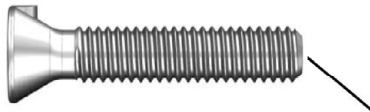
Appendix 4 / 13

## Parts of anchor and materials

### Cone bolt

Figure A6:

With external thread  
M6 / M8 / M10  
Optional with UNC thread



Material identification  
Optional:  
Anti rotation lock  
Nose or frontal profiling

With internal thread  
M6 / M8  
Optional with UNC thread



Optional:  
Identifying mark, drive, e.g.: Slot;  
polygonal (Outside; inside);  
spanner flats

### Expansion part

Figure A7:



Standard



Version HP

### Sleeve

Figure A8:

Carbonfibre



Stainless steel  
Lathe machined



Bent



Type designation e.g.  FZP...

### Supplementary components


Figure A9:

Hex nut SW 19



Hex nut ES



Identifying mark of producer 

Marking: Al = Aluminium  
Optional: R = stainless steel

Table A1: Material of anchor parts

Anchor parts	Material
Cone bolt	Stainless steel, EN 10088 :2014
Expansion part	Stainless steel, EN 10088 :2014
Sleeve	Stainless steel, EN 10088 :2014
Carbonsleeve	Polyamide 6.6 CF
Hexagonal nut SW19	Aluminium, EN 755 :2016, Stainless steel, EN 10088 :2014
Hexagonal nut ES	Aluminium, EN 755 :2016, Stainless steel, EN 10088 :2014

## fischer Zykon panel anchor FZP

Product description  
Parts of anchor and material

Annex A 3

Appendix 5 / 13

## Specifications of intended use

### Anchorage subject to:

- Static and quasi-static loads.

### Anchorage ground:

- Natural stone facade panels according to EN 1469:2015.
- The used material is free of crevices and mechanically effective cracks and alterations.
- Natural stone classified in accordance with Table B1.
- Characteristic values of the panels correspond to Annex B 3, Table B2.

**Table B1: Stone groups for façade panels made of natural stone**

Stone group		Natural stone type	Boundary conditions
I	High quality intrusive rocks (plutonic rocks)	Granite, granitite, tonalite, diorite, monzonite, gabbro, other magmatic plutonic rocks	None
II	Metamorphic rocks with „hard stone characteristics“	Quartzite, granulite, gneiss, migmatite, slate <sup>2)</sup>	None
III	High quality extrusive rocks (volcanic rocks)	Basalt and basaltic lava without harmful ingredients (like sun burner basalt)	Minimum density $\rho$ : basalt: 2,7 kg/dm <sup>3</sup> basaltic lava: 2,2 kg/dm <sup>3</sup>
IV	Sedimentary rocks with „hard stone characteristics“ <sup>1)</sup>	Sandstone, limestone and marble	Minimum density $\rho$ : sandstone: 2.1 kg/dm <sup>3</sup>

- <sup>1)</sup> For façade panels made of natural stones with planes of anisotropies, the difference between the flexural strength determined parallel to the planes of anisotropy and perpendicular to the edges of the planes of anisotropy shall not be more than 50 %.
- <sup>2)</sup> Slate is only covered by EAD if the mean value of tensile bond strength is larger than 0,5 N/mm<sup>2</sup> and the minimum value of tensile bond strength is larger than 0,25 N/mm<sup>2</sup>

### Use conditions (Environmental conditions):

- In accordance with EN 1993-1-4:2015 dependent on Corrosion Resistancy Class (CRC) (ETA Section 3.1)

**fischer Zykon panel anchor FZP**

Intended use  
Specifications

**Annex B 1**  
Appendix 6 / 13

## Design:

- The design of anchorages under static and quasistatic load is carried out in accordance with: EOTA Technical Report TR 062:2018 “Design of fasteners for façade panels made of natural stone“.
- The façade panels, their fixings as well as the substructure including its connection to wall brackets and their connection to the construction works are designed for the respective case of application under the responsibility of an engineer skilled in the field of façade construction.
- Verifiable calculation notes and drawings shall be prepared taking account of the loads to be anchored, the nature and strength of the base materials and the dimensions of the anchorage members as well as of the relevant tolerances. The position of the anchor is indicated on the design drawings.

## Installation:

- The drillings are done at the factory or on site under workshop conditions; when drilling on site the execution is supervised by the responsible project supervisor or a skilled representative of the project supervisor.
- Making of the undercut drilling is done with a special drill bit or a special CNC drill bit according to Annex B 4 and a special drilling device in accordance with the information deposited with Deutsches Institut für Bautechnik.
- The drilling residues are removed from the drill hole.
- In case of aborted hole: new drilling at a minimum distance away of twice the depth of the aborted hole.
- The geometry of the drill hole is checked on 1 % of all drillings. The following dimensions shall be checked and documented according to manufacturer's information and testing instructions by means of a control aids according to Annex B 5, Figure B5, B6 and B7.

- Diameter of the cylindrical drill hole.

- Diameter of the undercut.

- Remaining wall thickness (drill hole depth and panel thickness respectively).

- If the tolerance given in Annex B 4, Table B3 is exceeded, the geometry of the drill hole shall be checked on 25 % of the drillings performed. No further drill hole should exceed the tolerances otherwise all the drill holes have to be controlled. Drill holes falling below or exceeding the tolerances shall be rejected.

Note: Checking the geometry of drill hole on 1 % of all drillings means that on one of 25 panels (this corresponds to 100 drillings for panels with 4 undercut anchors) one drilling shall be checked. If the tolerances given in Annex B 4, Table B3 are exceeded, the control shall be increased to 25 % of the drillings, i.e. one drilling shall be checked on all the 25 panels.

- The anchors are installed in a deformation controlled manner. For this purpose suitable installation tools per Annex B 5, Figure B4 shall be used. The anchor is set correctly if the bolt projection "b" in accordance to Annex A 2 (designation system) according to Annex B 6 Figure B10 and B11 is observed. For flush mounting, the sleeve must not project beyond the plate surface. Internal thread anchors are mounted flush or recessed according to Annex B 6. The dimension "b" is indicated in the anchor designation.
- During transport and storage on site the façade panels are protected from damages; the façade panels are not to be hung up jerkily (if need be lifters shall be used for hanging up the façade panels); façade panels and reveal panels respectively with incipient cracks are not be installed.
- The façade panels are arranged in a "reclined" or "upright" position.
- Overhead installation is allowed (e.g.: fastening cladding of ceilings)
- The façade are installed by skilled specialists and the laying instructions of the manufacturer shall be paid attention to.
- The façade panels must not be used for the transmission of scheduled impact loads and for the protection against falling.

**fischer Zykon panel anchor FZP**

**Intended use**  
Specifications

**Annex B 2**

Appendix 7 / 13

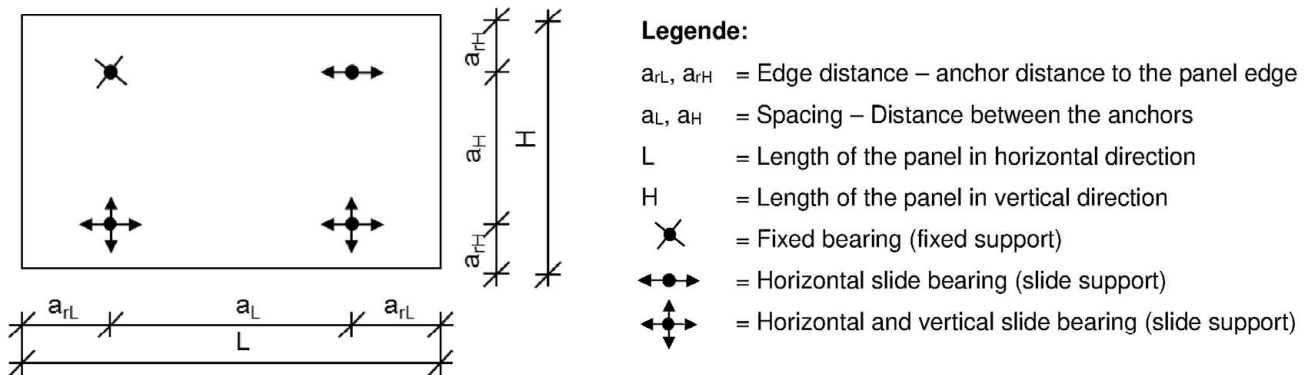


**Table B2: Characteristic values of façade and reveal panels made of nature stones**

Façade panels				
Nominal panel thickness	$h_{nom}$	[mm]		$20 (30)^{1)} \leq h_{nom}$
Number of anchors (rectangular arrangement)	N	[-]		4
Embedment depth <sup>2)</sup>	$h_s$	[mm]		$12 \leq h_s \leq 38$
Minimum edge distance <sup>3)</sup>	$a_{rL}$ bzw. $a_{rH}$	[mm]		50
Maximum edge distance <sup>5)</sup>	$a_{rL}$ bzw. $a_{rH}$	[mm]		$0,25 L$ bzw. $0,25 H$
Minimum spacing <sup>3)</sup>	$a_L$ bzw. $a_H$	[mm]		$8 h_s$
Minimum residual wall thickness <sup>4)</sup>	$h_r$	[mm]		$0,4 h_{nom}$
Minimum characteristic flexural strength in accordance with EN 12372:2007				
Padang Cristallo G603, China	Stone group I	$\sigma_{5\%} \geq$	[N/mm <sup>2</sup> ]	13,4
Jura Limestone (yellow), Germany	Stone group IV	$\sigma_{5\%} \geq$	[N/mm <sup>2</sup> ]	12,4

- 1) For sandstone, limestone and basaltlava: panel thickness  $h \geq 30$  mm, if the bending strength of the material  $\sigma_{5\%} < 8$  N/mm<sup>2</sup>.
- 2)  $h_s = h_1 = h_v$  in 1 mm steps only (12, 13, 14 mm ... 38 mm) - tolerances see Annex B 4, Table B3, footnote <sup>3)</sup>
- 3) For small fitting, differential or fill in pieces, the minimum edge distance or spacing shall be chosen constructively. In case of design under static loading using FEM, smaller edge distances are allowed.
- 4) Only for stand-off fixing.
- 5) Applies to the simplified verification with the diagrams Figure 3.4 TR062:2018. An object-related verification may differ.

**Figure B1: Definition of edge and centre distance**



**fischer Zykon panel anchor FZP**

**Intended use**  
Requirements of façade panels

**Annex B 3**

Appendix 8 / 13

**Table B3: Drill hole dimensions**

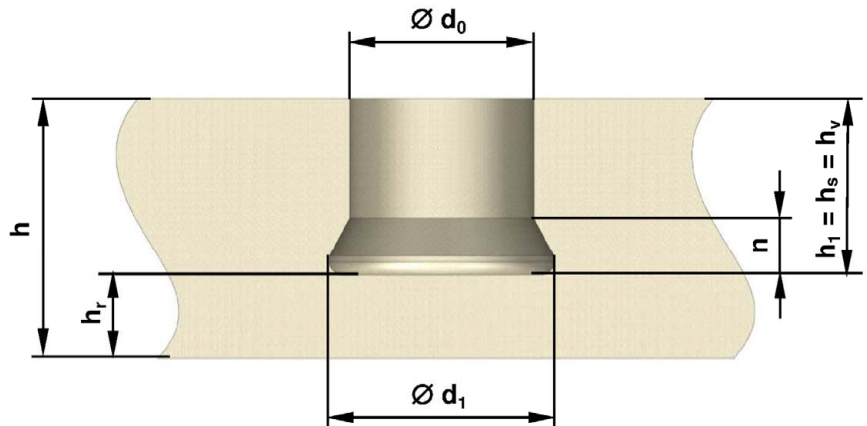
Drill hole						
Drill bit $\varnothing f$ <sup>1)</sup>	$\varnothing d_0$ [mm] <sup>2)</sup>	$\varnothing d_1$ [mm] <sup>2)</sup>	FZPII	n	$h_1$ [mm] <sup>2) 3)</sup>	$h_r$ [mm] <sup>4)</sup>
FZPB 9	11 +0,4 -0,2	13,5 ±0,3	M6	≈ 4	12 ≤ $h_1$ ≤ 38	≥ 0,4 h
FZPB 11						
FZPB 11	13 +0,4 -0,2	15,5 ±0,3	M8 / M6i			
FZPB 13						
FZPB 13	15 +0,4 -0,2	17,5 ±0,3	M10 / M8i			
FZPB 15						

- 1) Drill bits for various drilling methods.
- 2) Dimensions can be checked with the appropriate control equipment in accordance with (Annex B 5).
- 3) Tolerances flush mounting:  $h_1 = h_v$  <sup>+0,4</sup><sub>-0,1</sub>
- 4) Only for stand off fixing.

**Figure B2: Drill bit example**



**Figure B3: Drill hole geometry**



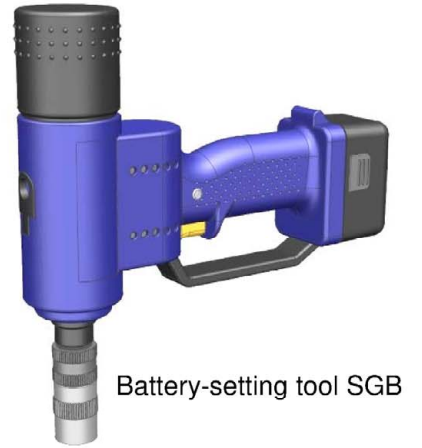
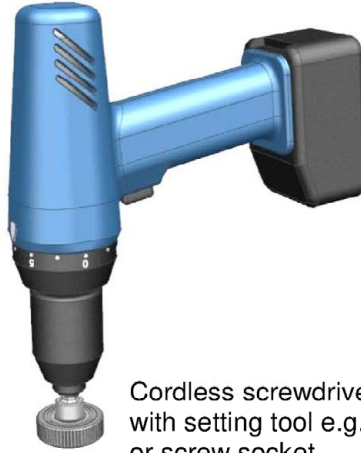
**fischer Zykon panel anchor FZP**

**Intended use**  
Drill bit, geometry of the drill hole and installation parameters

**Annex B 4**  
Appendix 9 / 13

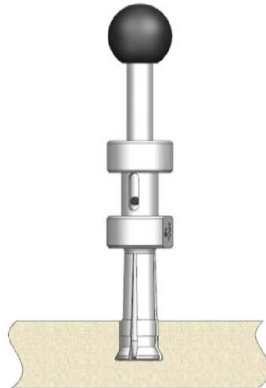
**Setting tools**

**Figure B4:**



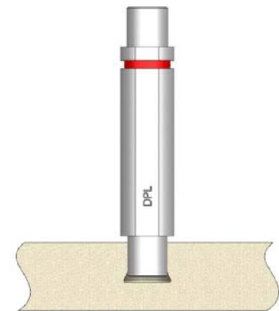
**Means for undercut control  $\varnothing d_1$**

**Figure B5:**



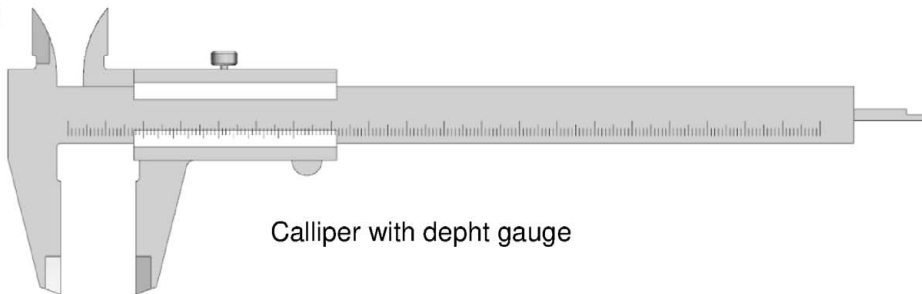
**Go / no Go gauge for  
checking cylindrical drill hole diameter  $\varnothing d_0$**

**Figure B6:**



**Means for measuring borehole depth  $h_1$  and borehole diameter  $d_0$**

**Figure B7:**



**fischer Zykon panel anchor FZP**

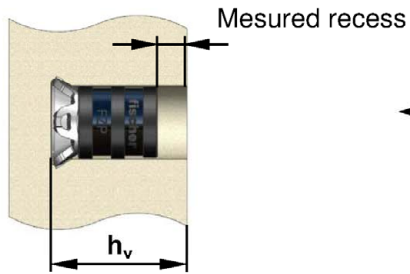
**Intended use**  
Setting devices and testing equipment

**Annex B 5**  
Appendix 10 / 13

## Type of mounting and dimensional definition

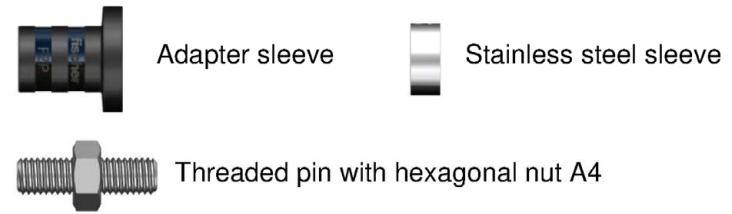
### Recessed fixing

Figure B8:



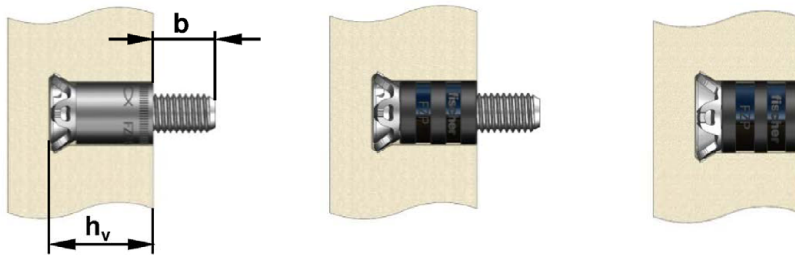
### Example of an adaptation for stand off fixing

Figure B9:



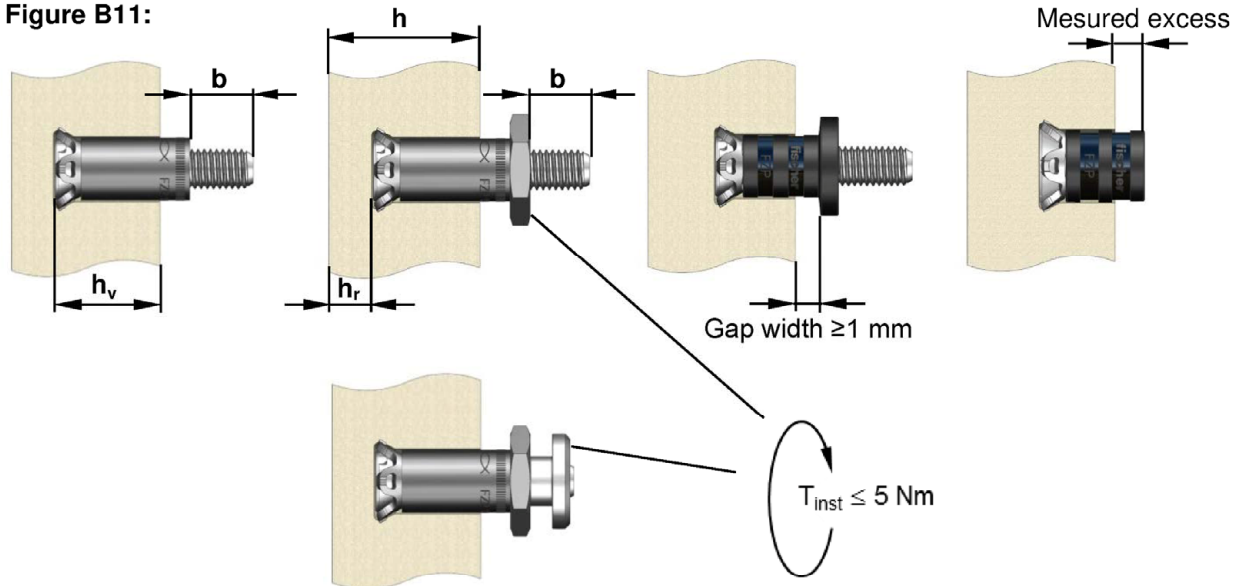
### Flush fixing

Figure B10:



### Stand off fixing

Figure B11:



fischer Zykon panel anchor FZP

Intended use  
Mounting types and dimension definitions

Annex B 6

Appendix 11 / 13

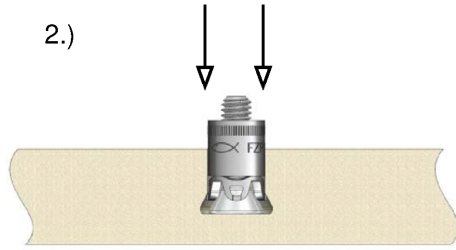
# Installation instructions

Example: Set with SGA

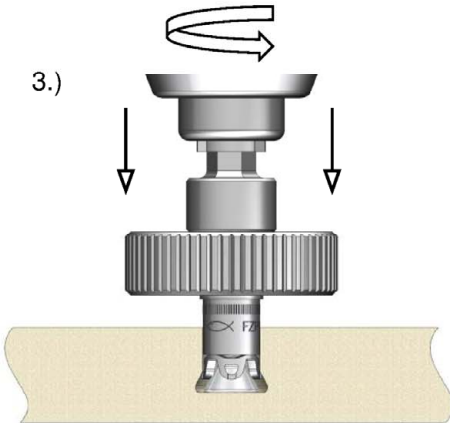
1.)



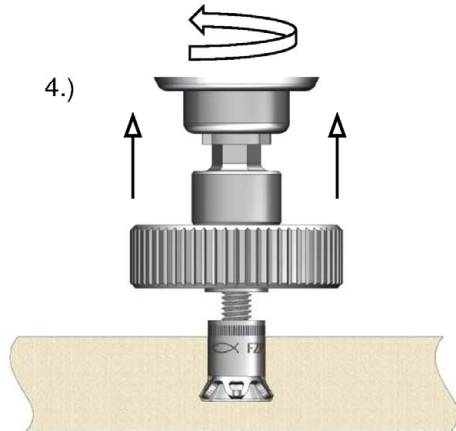
2.)



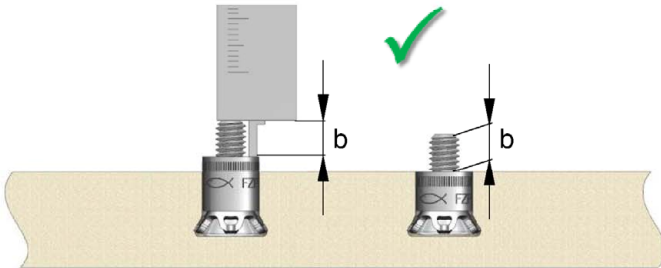
3.)



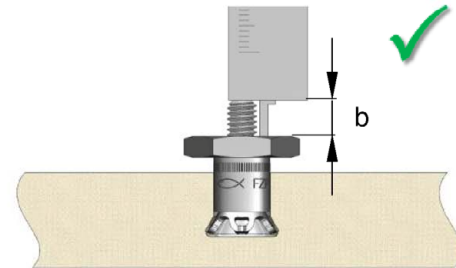
4.)



5.1)



5.2)



**fischer Zykon panel anchor FZP**

**Intended use**  
Installation instructions

**Annex B 7**  
Appendix 12 / 13

**Table C1: Characteristic resistance**

Diameter of drill hole	$\varnothing d_0$	[mm]	11 (FZP M6)		13 (FZP M8 / M6i)	
Designation of natural stone			Padang Cristallo G603	Jura Limestone (yellow)	Padang Cristallo G603	Jura Limestone (yellow)
Country of origin			China	Germany	China	Germany
Petrographic description			Granite	Limestone	Granite	Limestone
Panel thickness	h	[mm]	30	40	30	40
Edge distance	$a_r$	[mm]	100	100	100	100
Embedment depth	$h_s$	[mm]	15	17	17	25
<b>Characteristic resistance</b>						
Tension load	$N_{Rk}^{1) 2)}$	[kN]	6,2	4,8	7,8	8,0
Shear load	$V_{Rk}^{1) 2)}$	[kN]	7,8	7,9	7,0	9,1
Partial safety factor	$\gamma_M$	[-]	1,8			
<b>Combined tension and shear load</b>						
Trilinear limit value	X	[-]	1,2			

1) Reduction factor  $\alpha$  based on stone class is already included in these values. Reduction factor  $\alpha$  in accordance with Technical Report 062:2018 "Design of fasteners for façade panels made of natural stone".

2) For other natural stones according to Table B1, the resistance is determined in accordance with Technical Report 062:2018 "Design of fasteners for façade panels made of natural stone".

**Table C2: Characteristic resistance for steel failure**

Diameter of drill hole and Anchor	$\varnothing d_0$	[mm]	11 FZP M6	13 FZP M8	15 FZP M10	13 <sup>2)</sup> FZP M6i	15 <sup>2)</sup> FZP M8i
Characteristic resistance under tension load	$N_{Rk,s}$	[kN]	15,1	27,5	43,5	14,1	25,6
Partial safety factor	$\gamma_{Ms}^{1)}$	[-]	1,5			1,87	
Characteristic resistance under shear load	$V_{Rk,s}$	[kN]	7,5	13,7	21,7	7,0	12,8
Partial safety factor	$\gamma_{Ms}^{1)}$	[-]	1,25			1,56	
Cone bolt with UNC thread	UNC	[Inch]	FZP 1/4	FZP 5/16	FZP 3/8	FZP 1/4i	FZP 5/16i
Characteristic resistance under tension load	$N_{Rk,s}$	[kN]	15,3	25,4	37,5	14,3	23,6
Partial safety factor	$\gamma_{Ms}^{1)}$	[-]	1,5			1,87	
Characteristic resistance under shear load	$V_{Rk,s}$	[kN]	7,6	12,7	18,7	7,1	11,8
Partial safety factor	$\gamma_{Ms}^{1)}$	[-]	1,25			1,56	

1) In absence of national regulations

2) For the anchor with internal thread only a fixing screw of size M6, UNC1/4 or M8, UNC5/16 made of stainless steel 1.4401 or 1.4571 EN ISO 10088-3:2014 with a minimum strength class 70 in accordance with EN ISO 3506-1:2009 ( $f_{uk} = 700 \text{ N/mm}^2$ ,  $f_{yk} = 450 \text{ N/mm}^2$ ) can be used. The screw-in depth of the fastening screw is at least 6 mm.

**fischer Zykon panel anchor FZP****Performances**

Characteristic resistance in natural stone and steel resistance

**Annex C 1**

Appendix 13 / 13