

DECLARACIÓN DE PRESTACIONES

DoP 0255

para fischer FIF - CN II (Anclajes de plástico para el uso en hormigón y mampostería)

ES

1. Código de identificación única del producto tipo: DoP 0255
2. Usos previstos: Anclaje de plástico clavado para la fijación de sistemas compuestos de aislamiento térmico exterior (ETICS) con revoque en hormigón y mampostería, véase el apéndice, especialmente los anexos B1-B3.
3. Fabricante: fischerwerke GmbH & Co. KG, Klaus-Fischer-Str. 1, 72178 Waldachtal, Alemania
4. Representante autorizado: -
5. Sistemas de evaluación y verificación de la constancia de las prestaciones (EVCP): 2+
6. Documento de evaluación europeo: EAD 330196-01-0604
Evaluación técnica europea: ETA-18/0393; 2018-05-29
Organismo de evaluación técnica: DIBt- Deutsches Institut für Bautechnik
Organismos notificados: 2873 TU Darmstadt
7. Prestaciones declaradas:
Seguridad en uso (BWR 4)

| | | |
|---|--|-----------------|
| Capacidad de carga característica: | Resistencia característica bajo carga de tensión: | Anexo C1 |
| | Distancia mínima al borde: | Anexo B2 |
| | Espacio mínimo: | Anexo B2 |
| Desplazamientos: | Carga de tensión con factor parcial: | Anexo C1 |
| | Desplazamientos: | Anexo C1 |
| Rigidez de la placa: | Diámetro de la placa de anclaje: | Anexo C1 |
| | Resistencia a la carga de la placa de anclaje: | Anexo C1 |
| | Rigidez de la placa: | Anexo C1 |

Economía de energía y retención de calor (BWR 6)

| | | |
|-------------------------------|---|-----------------|
| Transmitancia térmica: | Transmitancia térmica puntual de un anclaje: | Anexo C1 |
| | Espesor de la capa aislante del ETICS: | Anexo C1 |
8. Documentación técnica adecuada o documentación técnica específica: -

Las prestaciones del producto identificado anteriormente son conformes con el conjunto de prestaciones declaradas. La presente declaración de prestaciones se emite, de conformidad con el Reglamento (UE) no 305/2011, bajo la sola responsabilidad del fabricante arriba identificado.

Firmado por y en nombre del fabricante por:

Dr. Oliver Geibig, Director General Unidades de Negocio e Ingeniería
Tumlingen, 2021-01-15

Jürgen Grün, Director General de Química y Calidad

Esta DdR se ha preparado en distintos idiomas. En caso de que haya alguna controversia sobre la interpretación prevalecerá siempre la versión inglesa.

El Apéndice incluye información voluntaria y complementaria en idioma inglés que excede los requisitos legales (de idioma neutral).

Specific Part

1 Technical description of the product

The Fischer FIF-CN II consists of an anchor sleeve with an enlarged shaft made of polypropylene (virgin material), an insulation plate made of glass fibre reinforced polyamide (virgin material) and a specific compound nail (for FIF-CN II 60-180) made of glass fibre reinforced polyamide with galvanized steel or a specific nail (for FIF-CN II 200-340) made of galvanized steel which is installed together with a plastic cylinder made of glass fibre reinforced polyamide.

The anchor may in addition be combined with the slip-on-plate DT 90, DT 110 and DT 140.

The product description is given in Annex A.

2 Specification of the intended use in accordance with the applicable European Assessment Document

The performances given in Section 3 are only valid if the anchor is used in compliance with the specifications and conditions given in Annex B.

The verification and assessment methods on which this European Technical Assessment is based lead to the assumption of a working life of the anchor of at least 25 years. The indications given on the working life cannot be interpreted as a guarantee given by the producer, but are to be regarded only as a means for choosing the right products in relation to the expected economically reasonable working life of the works.

3 Performance of the product and references to the methods used for its assessment

3.1 Safety and accessibility in use (BWR 4)

| Essential characteristic | Performance |
|-----------------------------------|---------------|
| Characteristic tension resistance | See Annex C 1 |
| Edge distances and spacing | See Annex B 2 |
| Plate stiffness | See Annex C 1 |
| Displacements | See Annex C 1 |

3.2 Energy economy and heat retention (BWR 6)

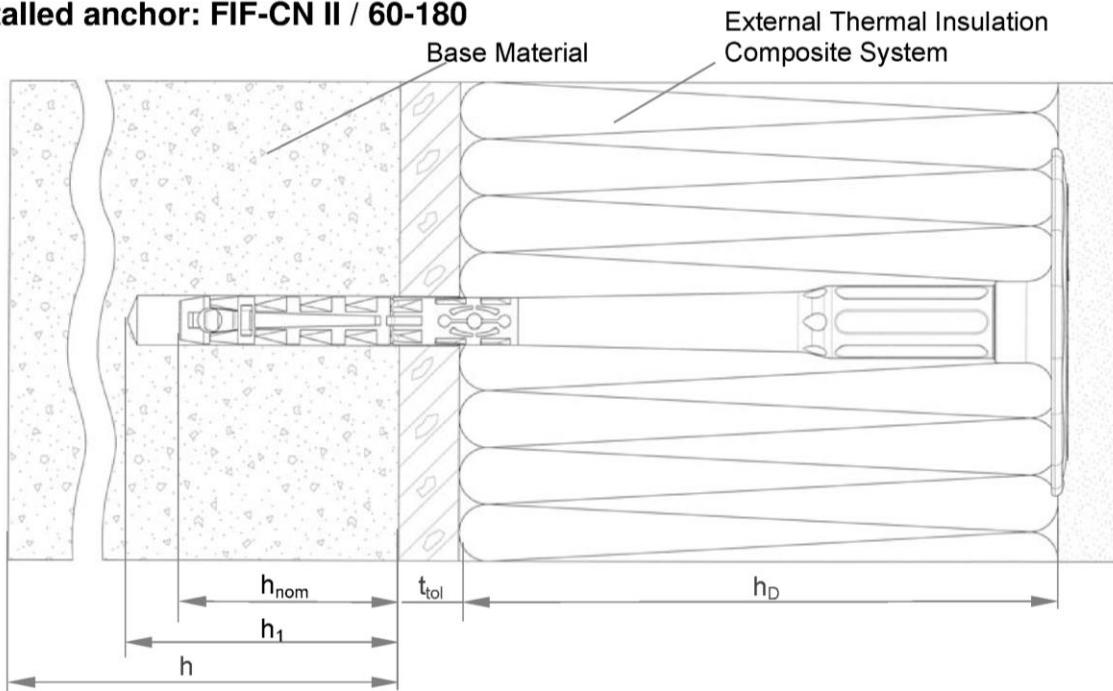
| Essential characteristic | Performance |
|-----------------------------|---------------|
| Point thermal transmittance | See Annex C 1 |

4 Assessment and verification of constancy of performance (AVCP) system applied, with reference to its legal base

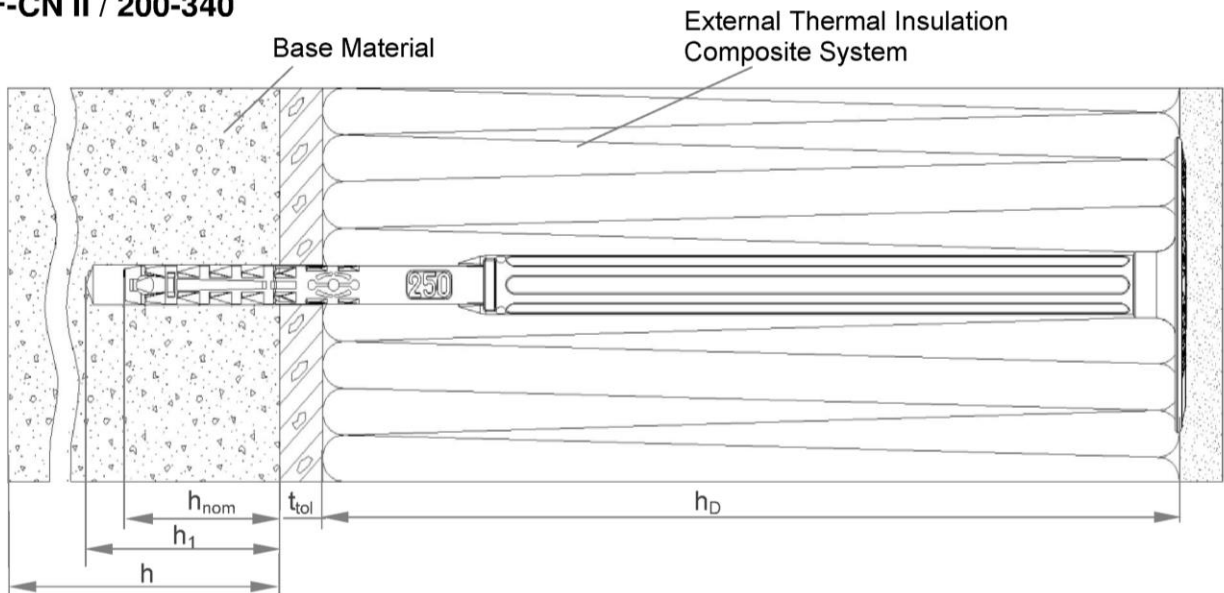
In accordance with EAD No. 330196-01-0604, the applicable European legal act is: [97/463/EC].

The system to be applied is: 2+

Installed anchor: FIF-CN II / 60-180



FIF-CN II / 200-340



Legend

- h_{nom} = Overall plastic anchor embedment depth in the base material
- h_1 = Depth of drilled hole to deepest point
- h = Thickness of member (wall)
- h_D = Thickness of insulation material
- t_{tol} = Thickness of equalizing layer or non-load bearing coating

Figures not to scale

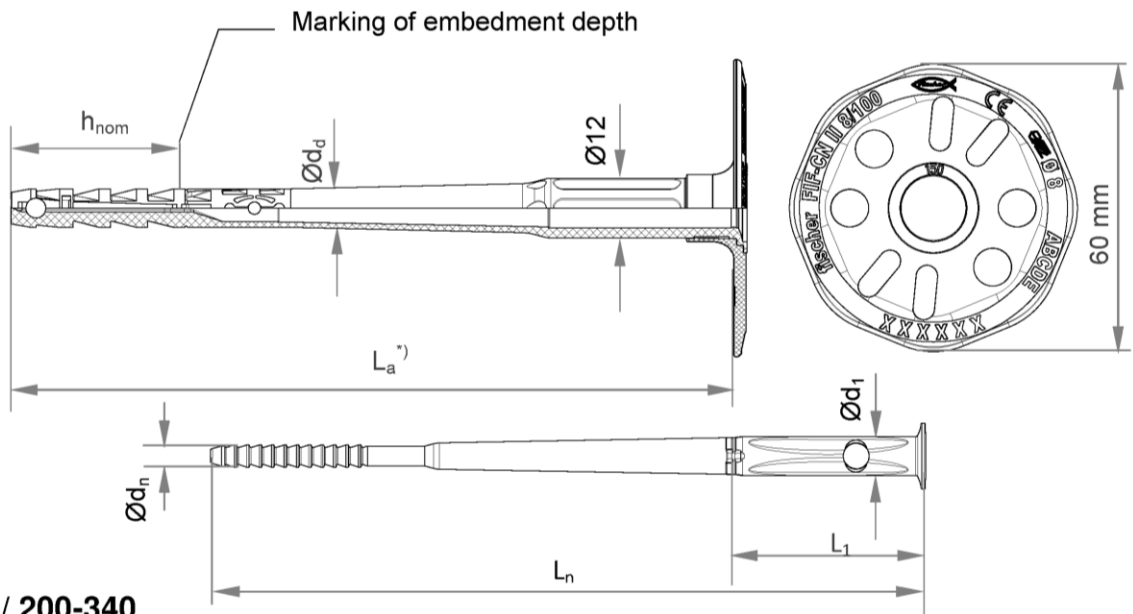
fischer FIF-CN II

Product description
Installed anchor

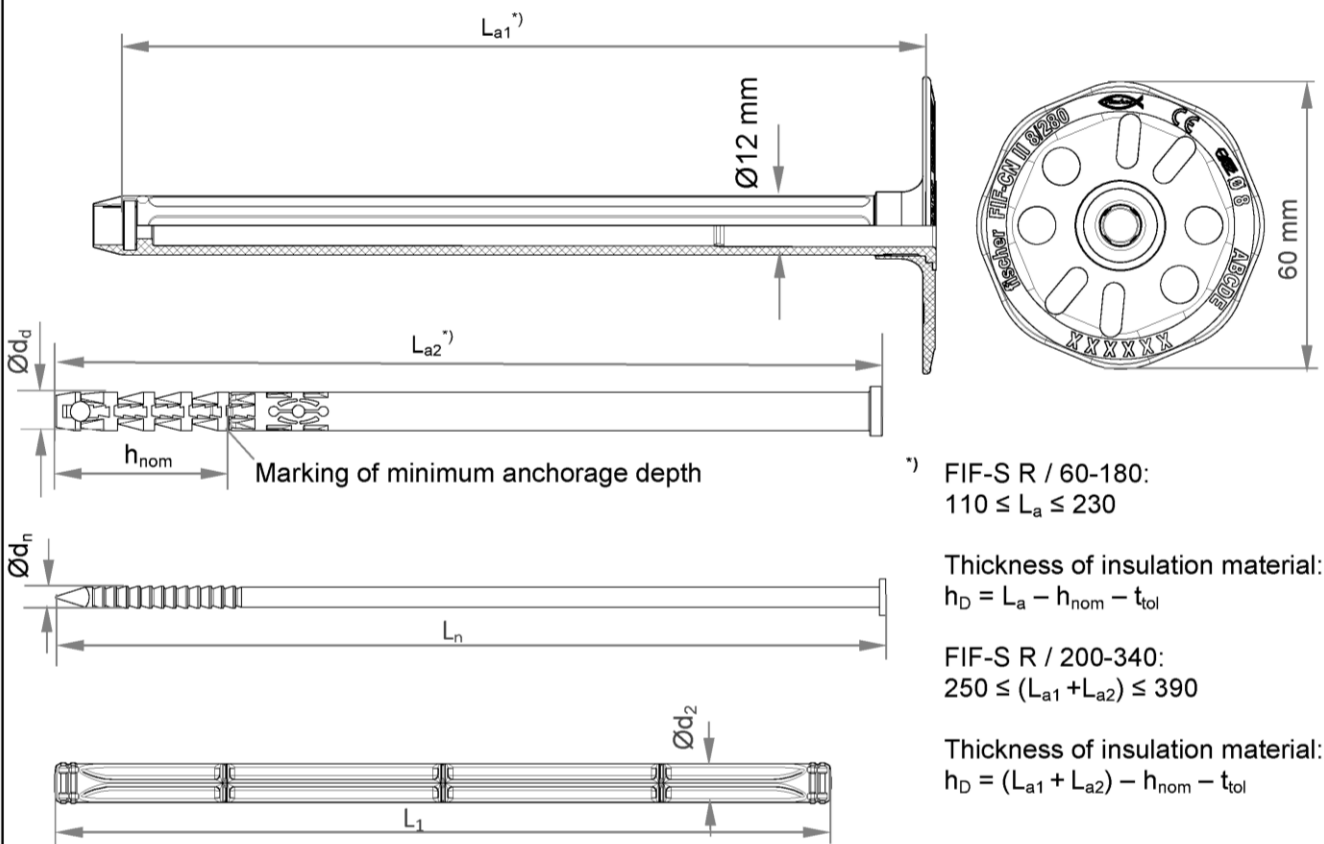
Annex A 1

Appendix 2 / 8

Single parts: FIF-CN II / 60-180



FIF-CN II / 200-340



) FIF-S R / 60-180:
 $110 \leq L_a \leq 230$

Thickness of insulation material:
 $h_D = L_a - h_{nom} - t_{tol}$

FIF-S R / 200-340:
 $250 \leq (L_{a1} + L_{a2}) \leq 390$

Thickness of insulation material:
 $h_D = (L_{a1} + L_{a2}) - h_{nom} - t_{tol}$

Figures not to scale

fischer FIF-CN II

Product description
 Marking and dimensions of the anchor

Annex A 2

Appendix 3 / 8

Table A3.1: Marking




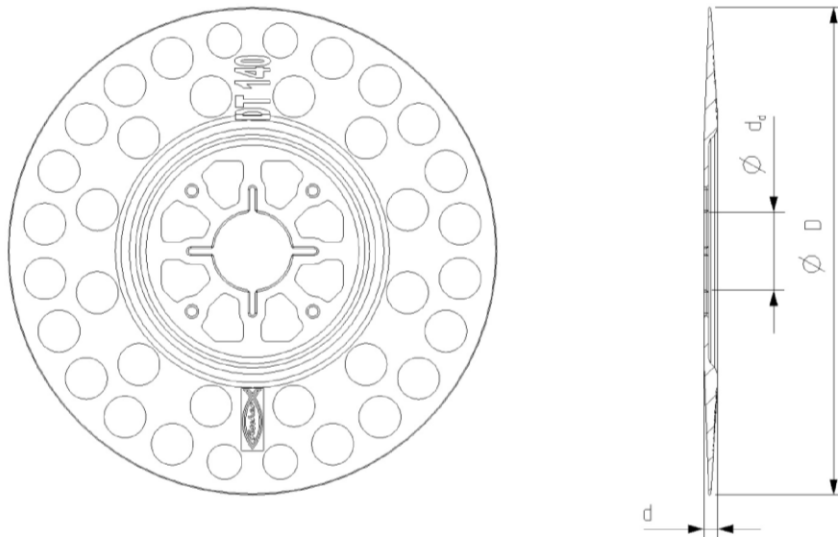
| | |
|----------------------------------|--|
| Anchor type | FIF-CN II |
| Name and size of anchor | FIF-CN II 8 |
| Thickness of insulation material | 60, 80, 100, 120, ... 340 |
| Example | fischer FIF-CN II 8/100  or  or blank CE (optional) Ø 8  (optional) ABCDE |

Table A3.2: Dimensions

| Anchor type | Anchor sleeve | | | | Specific nail | | | Plastic cylinder | |
|-------------------|------------------|------------------|--------------------|--------------------|------------------|---|------------------|------------------|------------------|
| | Ø d _d | h _{nom} | L _{a,min} | L _{a,max} | Ø d _n | L _n | Ø d ₁ | L ₁ | Ø d ₂ |
| | [mm] | | | | | | | | |
| FIF-CN II 60-180 | 8 | 35 | 110 | 230 | 4,5 | L _a - 4 | 8 | 40 | - |
| FIF-CN II 200-340 | 8 | 35 | 250 | 390 | 4,5 | (L _{a1} + L _{a2}) - L ₁ - 4 | | 157 | 8 |

Table A3.3: Materials

| Designation | Material |
|--|---|
| Anchor sleeve | PP (virgin material), colour: grey |
| Shaft (FIF-CN II / 200-340) | PA6 (virgin material) GF, colour: grey |
| Plastic cylinder (FIF-CN II / 60 – 180) | PA6 (virgin material) GF, colour: nature |
| Specific compound nail (FIF-CN II / 60-180) o Specific nail (FIF-CN II / 200-340) | PA6 (virgin material) GF, steel gal Zn A2G or A2F acc.to EN ISO 4042:2001-01 Steel gal Zn A2G or A2F acc. to EN ISO 4042:2001-01 |
| Anchor plate | PA6 (virgin material) GF, colour: grey |

Slip-on-plate combined with FIF-CN II**Table A3.4: Slip-on-plate, diameters and material**

| Slip-on-plate | Ø D | Ø d _d [mm] | d | Material |
|---------------|-----|--------------------------|---|----------|
| | | | | |

Figures not to scale

fischer FIF-CN II

Product description

Marking, dimensions, materials, slip-on plates combined with FIF-CN II

Annex A 3

Appendix 4 / 8

Specifications of intended use

Anchorage subject to:

- The anchor may only be used for transmission of wind suction loads and shall not be used for the transmission of dead loads of the thermal insulation composite system.

Base materials:

- Normal weight concrete (use category A), according to Annex C1.
- Solid masonry (use category B), according to Annex C1.
- Hollow or perforated masonry (use category C), according to Annex C1.
- Lightweight aggregate concrete (use category D), according to Annex C1.
- Autoclaved aerated concrete (use category E), according to Annex C1.
- For other base materials of the use categories A, B, C, D and E the characteristic resistance of the anchor may be determined by job site tests acc. to EOTA Technical Report TR 051 Edition December 2016.

Temperature Range:

- 0 °C to + 40 °C (max. short term temperature +40°C and max. long term temperature +24°C).

Design:

- The anchorages are designed under the responsibility of an engineer experienced in anchorages and masonry work with the partial safety factors $\gamma_M = 2,0$ and $\gamma_F = 1,5$, if there are no other national regulations.
- Verifiable calculation notes and drawings are prepared taking account of the loads to be anchored. The position of the anchors is indicated on the design drawings.
- Fasteners are only to be used for multiple fixings of the ETICS.

Installation:

- Hole drilling by the drill modes according to Annex C1.
- Anchor installation carried out by appropriately qualified personnel and under the supervision of the person responsible for technical matters on the site.
- Installation temperature from 0 °C to + 40 °C
- Exposure to UV due to solar radiation of the anchor not protected by rendering ≤ 6 weeks.

fischer FIF-CN II

Intended use
Specification

Annex B 1

Appendix 5 / 8

Table B2.1: Installation parameters

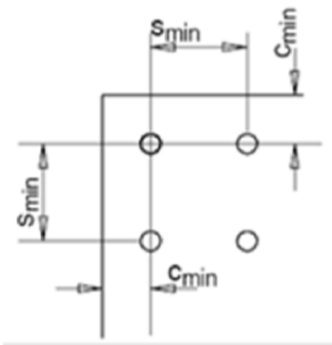
| Anchor type | | FIF-CN II |
|---|----------------|-----------------------|
| Drill hole diameter | $d_0 =$ | 8 |
| Cutting diameter of drill bit | $d_{cut} \leq$ | 8,45 |
| Depth of drill hole to deepest point | $h_1 \geq$ | 45 / 65 ¹⁾ |
| Overall plastic anchor embedment depth in the base material | $h_{nom} \geq$ | 35 / 55 ¹⁾ |

¹⁾ only for use cat. "D" and "E"

Table B2.2: Minimum thickness, distance and spacing

| Anchor type | | FIF-CN II |
|-----------------------------|-------------|-----------|
| Minimum thickness of member | h_{min} | 100 |
| Minimum spacing | $s_{min} =$ | 100 |
| Minimum edge distance | c_{min} | 100 |

Anordnung Achs- und Randabstände



Figures not to scale

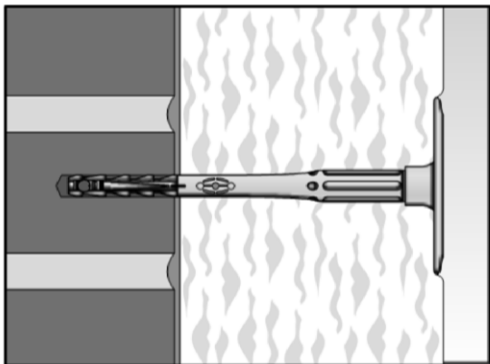
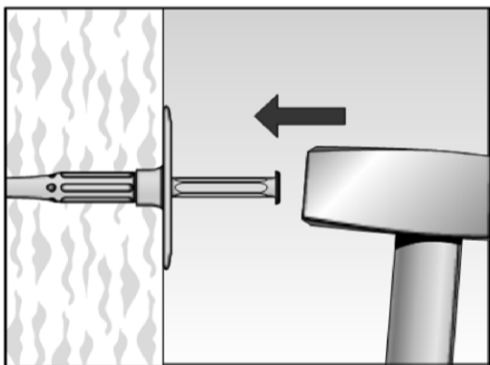
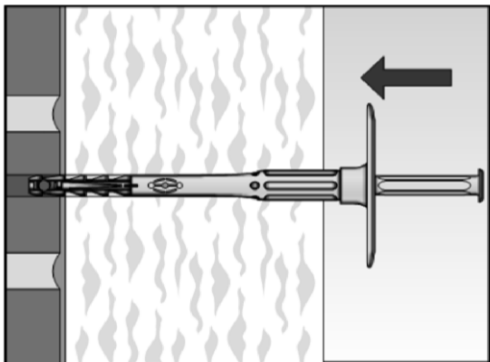
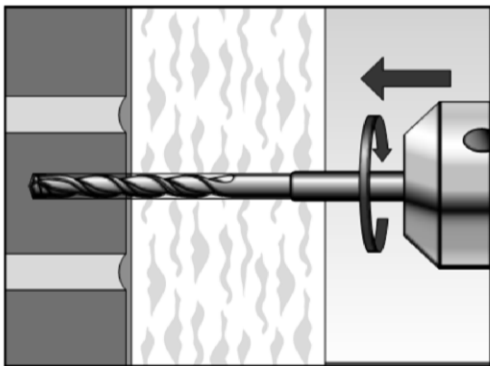
fischer FIF-CN II

Intended use
Installation parameters, edge distances and spacings

Annex B 2

Appendix 6 / 8

Installation instructions:



1. Drill the bore hole by the parameters acc. to Table B2.1 and the corresponding drilling method acc. to Annex C 1.

2. Insert anchor manually.

3. Set anchor by hammer blows. The bottom side of the plate must be flush with the ETICS.

4. Correctly installed anchor.

Figures not to scale

fischer FIF-CN II

Intended use
Installation instructions

Annex B 3

Appendix 7 / 8

Table C1.1: Characteristic resistance N_{RK} in concrete and masonry for a single anchor

| Base material | Use cat. | Bulk density class ρ [kg/dm ³] | Min. compressive strength f_b [N/mm ²] | Remarks | Drill method ¹⁾ | Characteristic resistance FIF-CN II N_{RK} [kN] |
|---|----------|---|---|--|----------------------------|---|
| Concrete ≥ C12/15 – C50/60 acc.to EN 206-1:2000 | A | | | | H | 0,75 |
| Clay brick Mz, acc. to EN 771-1:2011 | B | ≥ 2,0 | 12 | Cross section reduced up to 15% by perforation vertically to the resting area | H | 0,75 |
| Vertically perforated clay bricks H1z , acc. to EN 771-1:2011 | C | ≥ 1,0 | 12 | Cross section between 15 % and 50 % by perforation vertically to the resting area. Outer web thickness ≥ 12 mm | R | 0,5 |
| Lightweight aggregate concrete, LAC , acc. to EN 1520:2011 | D | ≥ 0,8 | 6 | Minimum solid brick or minimum exterior web thickness $t \geq 50$ mm | H | 0,5 |
| Autoclaved aerated concrete blocks AAC , acc. to EN 771-4:2011, $h_{nom} = 35$ mm | E | ≥ 0,4 | 4 | - | R | 0,3 |

¹⁾ H = Hammer drilling

R = Rotary drilling

Table C1.2: Point thermal transmittance acc. to EOTA Technical Report TR 025: 2016-05

| Anchor type | Thickness of insulation material h_D [mm] | Point thermal transmittance χ [W/K] |
|---------------------|--|---|
| FIF-CN II / 60-180 | 60 | 0,001 |
| | 80 - 180 | 0,000 |
| FIF-CN II / 200-340 | 200 - 300 | 0,000 |
| | 320 - 340 | 0,001 |

Table C1.3: Plate stiffness acc. to EOTA Technical Report TR 026: 2016-05

| Anchor plate | Size of the anchor plate [mm] | Load resistance of the anchor plate [kN] | Plate stiffness [kN/mm] |
|--------------|----------------------------------|--|----------------------------|
| FIF-CN II | 60 | 1,63 | 0,63 |

Table C1.4: Displacements of the FIF-CN II

| Base material | Tension load F [kN] | Displacements δ [mm] |
|--|------------------------|--------------------------------|
| Concrete C12/15 – C50/60 (EN 206-1:2000) | 0,25 | < 0,3 |
| Clay brick, Mz 12 (EN 771-1:2011) | 0,25 | < 0,5 |
| Vertically perforated clay brick, H1z 12 (EN 771-1:2011) | 0,17 | < 0,2 |
| Lightweight aggregate concrete, LAC 6 (EN 1520:2011) | 0,17 | < 0,3 |
| Autoclaved aerated concrete blocks, AAC 4 (EN 771-4:2011) | 0,10 | < 0,2 |

fischer FIF-CN II

Performances

Characteristic resistance of the anchor
Point thermal transmittance, plate stiffness and displacements

Annex C 1

Appendix 8 / 8