



## DECLARACIÓN DE PRESTACIONES

### DoP 0281

para anclaje de inyección fischer Highbond FHB II (fijación química de expansión para hormigón)

ES

- Código de identificación única del producto tipo: **DoP 0281**
- Usos previstos: **Fijación a posteriori en hormigón fisurado y no fisurado véase el apéndice, especialmente los anexos B1 - B7.**
- Fabricante: **fischerwerke GmbH & Co. KG, Otto-Hahn-Straße 15, 79211 Denzlingen, Alemania**
- Representante autorizado: **-**
- Sistemas de evaluación y verificación de la constancia de las prestaciones (EVCP): **1**
- Documento de evaluación europeo: **ETAG 001, Part 5, April 2013, considerada como EAD**  
Evaluación técnica europea: **ETA-16/0637; 2017-12-14**  
Organismo de evaluación técnica: **DIBt- Deutsches Institut für Bautechnik**  
Organismos notificados: **2873 TU Darmstadt**
- Prestaciones declaradas:  
**Resistencia mecánica y estabilidad (BWR 1)**  
**Resistencia característica a tracción (carga estática y cuasi-estática):**  
Resistencia de rotura del acero: Anexos C1, C2  
Resistencia para la combinación de rotura por cono de hormigón y extracción: Anexos C1, C2  
Resistencia de rotura por cono de hormigón: Anexos C1, C2  
Distancia al borde para evitar la rotura del acero sometido a carga: Anexos C1, C2  
Robustez: Anexos C1, C2  
Par de montaje: Anexos B3, B4  
Distancia mínima entre el borde y el centro: Anexos B3, B4  
**Resistencia característica a cortante (carga estática y cuasi-estática):**  
Resistencia de rotura del acero: Anexos C3, C4  
Resistencia falla por arrancamiento lateral: Anexos C3, C4  
Resistencia de rotura del hormigón al borde: Anexos C3, C4  
**Desplazamientos bajo carga a corto y largo plazo:**  
Desplazamientos bajo carga a corto y largo plazo: Anexos C5, C6  
**Resistencia y desplazamientos característicos para las categorías sísmicas C1 y C2:**  
Resistencia a carga de tracción, desplazamientos, categoría C1: NPD  
Resistencia a carga de tracción, desplazamientos, categoría C2: NPD  
Resistencia a esfuerzo cortante, desplazamientos, categoría C1: NPD  
Resistencia a esfuerzo cortante, desplazamientos, categoría C2: NPD  
Factor espacio anular: NPD  
**Higiene, salud y medio ambiente (BWR 3)**  
Contenido, emisión y/o desprendimiento de sustancias peligrosas: NPD
- Documentación técnica adecuada o documentación técnica específica: **-**

$Y_2=Y_{inst}$

$(k_7=k_2)$

$(k_8=k_3)$

Las prestaciones del producto identificado anteriormente son conformes con el conjunto de prestaciones declaradas. La presente declaración de prestaciones se emite, de conformidad con el Reglamento (UE) no 305/2011, bajo la sola responsabilidad del fabricante arriba identificado.

Firmado por y en nombre del fabricante por:

Dr.-Ing. Oliver Geibig, Director General Unidades de Negocio e Ingeniería  
Tumlingen, 2021-01-19

Jürgen Grün, Director General de Química y Calidad

Esta DdR se ha preparado en distintos idiomas. En caso de que haya alguna controversia sobre la interpretación prevalecerá siempre la versión inglesa.

El Apéndice incluye información voluntaria y complementaria en idioma inglés que excede los requisitos legales (de idioma neutral).

## Specific Part

### 1 Technical description of the product

The Fischer Highbond-Anchor FHB II is a torque controlled bonded anchor consisting of a mortar cartridge with mortar Fischer FIS HB and an anchor rod FHB II - A L or FHB II - A S with hexagon nut and washer.

The anchor rod is placed into a drilled hole filled with injection mortar. The load transfer is realised by mechanical interlock of several cones in the bonding mortar and then via a combination of bonding and friction forces in the anchorage ground (concrete).

The product description is given in Annex A.

### 2 Specification of the intended use in accordance with the applicable European Assessment Document

The performances given in Section 3 are only valid if the anchor is used in compliance with the specifications and conditions given in Annex B.

The verifications and assessment methods on which this European Technical Assessment is based lead to the assumption of a working life of the anchor of at least 50 years. The indications given on the working life cannot be interpreted as a guarantee given by the producer, but are to be regarded only as a means for choosing the right products in relation to the expected economically reasonable working life of the works.

### 3 Performance of the product and references to the methods used for its assessment

#### 3.1 Mechanical resistance and stability (BWR 1)

Essential characteristic	Performance
Characteristic values under tension and shear load	See Annex C 1 to C 4
Displacements under tension and shear loads	See Annex C 5 and C 6

#### 3.2 Safety in case of fire (BWR 2)

Essential characteristic	Performance
Reaction to fire	Anchorage satisfies requirements for Class A1
Resistance to fire	No performance assessed

#### 3.3 Hygiene, health and the environment (BWR 3)

Regarding dangerous substances there may be requirements (e.g. transposed European legislation and national laws, regulations and administrative provisions) applicable to the products falling within the scope of this European Technical Assessment. In order to meet the provisions of Regulation (EU) No 305/2011, these requirements need also to be complied with, when and where they apply.

#### 3.4 Safety in use (BWR 4)

The essential characteristics regarding Safety in use are included under the Basic Works Requirement Mechanical resistance and stability.

**4 Assessment and verification of constancy of performance (AVCP) system applied, with reference to its legal base**

In accordance with guideline for European technical approval ETAG 001, April 2013, used as European Assessment Document (EAD) according to Article 66 Paragraph 3 of Regulation (EU) No 305/2011, the applicable European legal act is: [96/582/EC].

The system to be applied is: 1

**5 Technical details necessary for the implementation of the AVCP system, as provided for in the applicable European Assessment Document**

Technical details necessary for the implementation of the AVCP system are laid down in the control plan deposited at Deutsches Institut für Bautechnik.

Issued in Berlin on 14 December 2017 by Deutsches Institut für Bautechnik

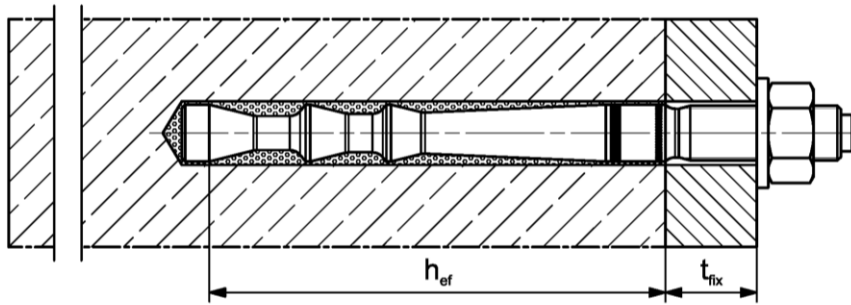
BD Dipl.-Ing. Andreas Kummerow  
Head of Department

*beglaubigt:*  
Lange

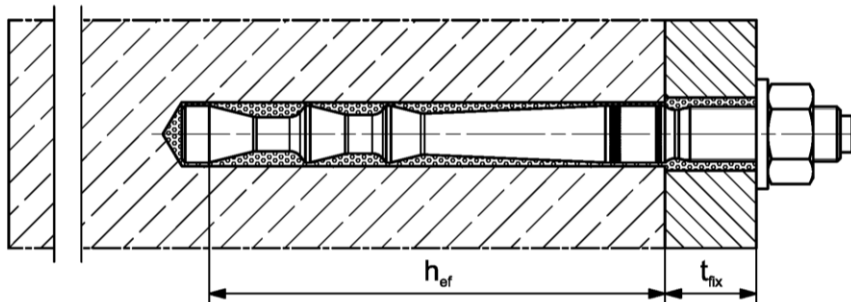
# Installation conditions part 1

fischer Highbond - Anchor FHB II Inject - A L

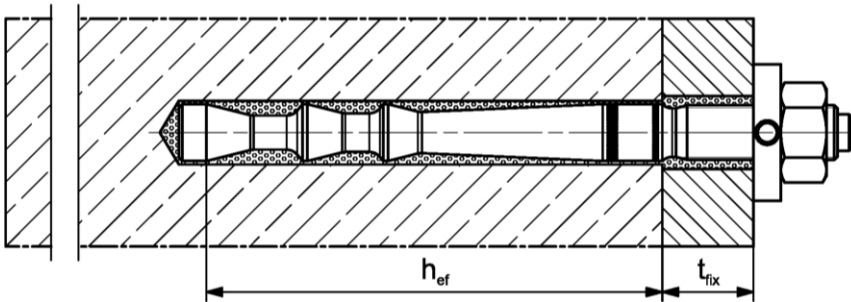
**Pre-positioned installation**



**Push through installation not with mortar capsule (annular gap filled with mortar)**



**Pre-positioned or push through installation with subsequently pressed filling disk**  
(annular gap filled with mortar)



Pictures not to scale

$h_{ef}$  = effective anchorage depth

$t_{fix}$  = thickness of fixture

fischer Highbond-Anchor FHB II Inject

**Product description**

Installation conditions part 1; FHB II Inject – A L

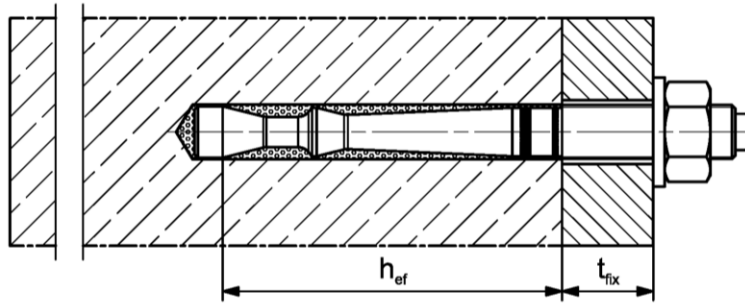
**Annex A 1**

Appendix 3 / 20

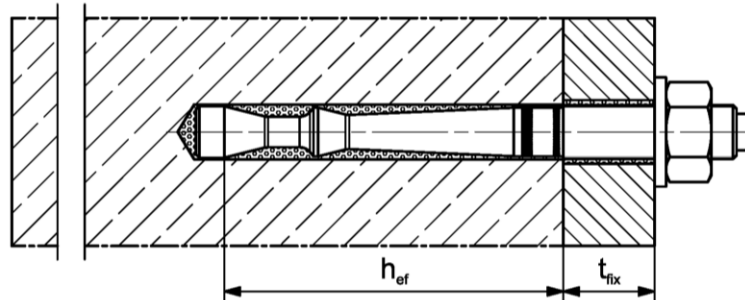
## Installation conditions part 2

### fischer Highbond - Anchor FHB II Inject - A S

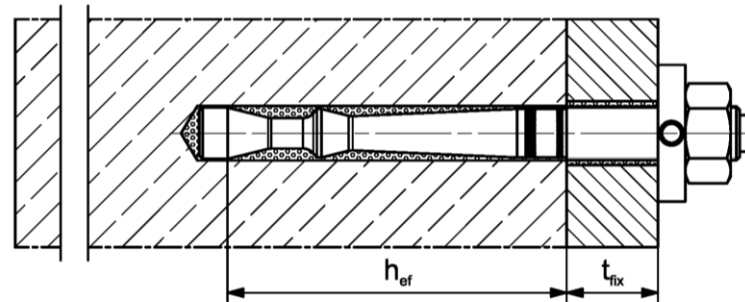
#### Pre-positioned installation



#### Push through installation



#### Pre-positioned or push through installation with subsequently pressed filling disk (annular gap filled with mortar)



Pictures not to scale

$h_{ef}$  = effective anchorage depth

$t_{fix}$  = thickness of fixture

fischer Highbond-Anchor FHB II Inject

#### Product description

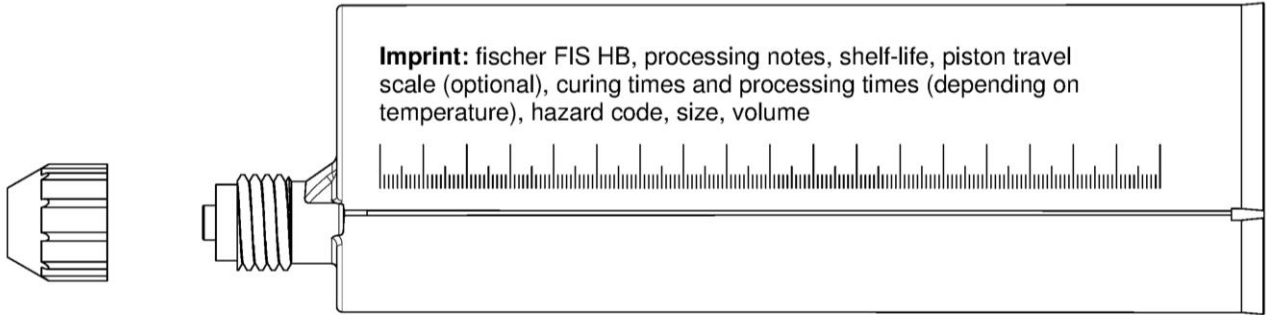
Installation conditions part 2; FHB II Inject – A S

**Annex A 2**

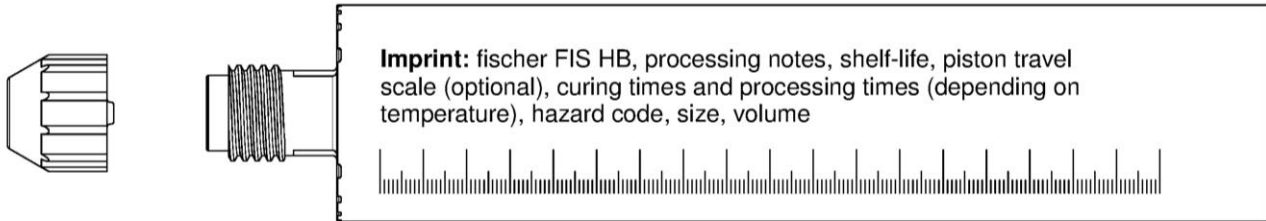
Appendix 4 / 20

## Overview system components part 1

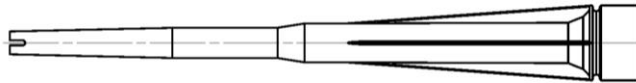
### Mortar cartridge (shuttle cartridge) with sealing cap; Size: 360 ml, 950 ml



### Mortar cartridge (coaxial cartridge) with sealing cap; Size: 150 ml, 300 ml



### Static mixer MR or UMR



### Extension tube for static mixer



### Cleaning brush BS



### Blow-out pump ABG or ABP with cleaning nozzle



Pictures not to scale

fischer Highbond-Anchor FHB II Inject

#### System description

Overview system components part 1;  
cartridges / mortar capsule / accessories

**Annex A 3**

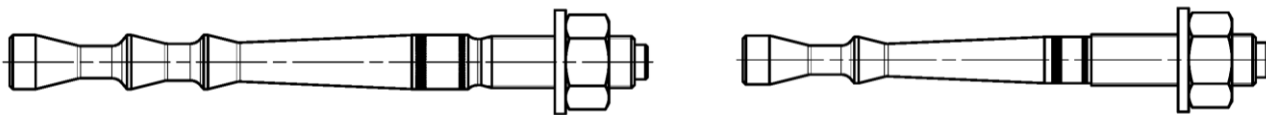
Appendix 5 / 20

## Overview system components part 2

fischer Highbond - Anchor rod; pre-assembled condition

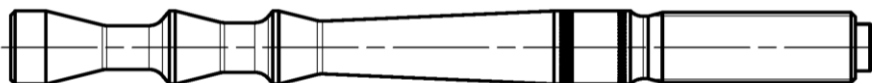
fischer Highbond - Anchor rod FHB II Inject - A L

fischer Highbond - Anchor rod FHB II Inject - A S



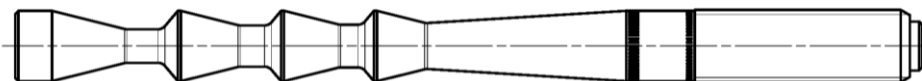
**Anchor rod FHB II Inject - A L**

Size: M8, M10, M12, M16, M20



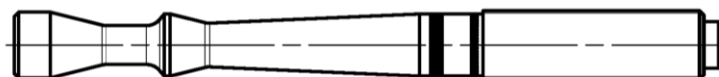
**Anchor rod FHB II Inject - A L**

Size: M24

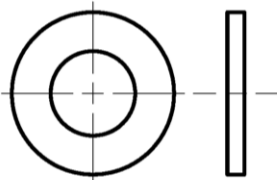


**Anchor rod FHB II Inject - A S**

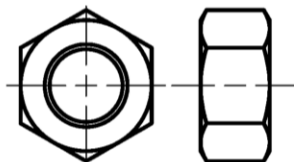
Size: M10, M12, M16, M20, M24



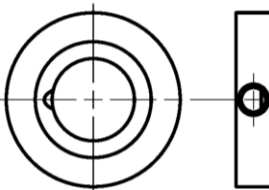
**Washer**



**Hexagon nut**



**fischer filling disk FFD**



Pictures not to scale

fischer Highbond-Anchor FHB II Inject

### System description

Overview system components part 2;  
Anchor rod / washer / hexagon nut / fischer filling disk FFD

**Annex A 4**

Appendix 6 / 20

**Table A5.1: Materials**

Part	Designation	Material		
1	Mortar cartridge	Mortar, hardener, filler		
	Steel grade	Steel, zinc plated	Stainless steel A4	High corrosion resistant steel C
2	Fischer Highbond-Anchor rod FHB II - A L or FHB II - A S	Property class 8.8; EN ISO 898-1:2013 zinc plated $\geq 5 \mu\text{m}$ , EN ISO 4042:1999 A2K $f_{uk} \leq 1000 \text{ N/mm}^2$ $A_5 > 12 \%$ fracture elongation	Property class 80 EN ISO 3506-1:2009 1.4401; 1.4404; 1.4578; 1.4571; 1.4439; 1.4362; 1.4062, 1.4662, 1.4462 EN 10088-1:2014 $f_{uk} \leq 1000 \text{ N/mm}^2$ $A_5 > 12 \%$ fracture elongation	Property class 80 EN ISO 3506-1:2009 1.4565; 1.4529 EN 10088-1:2014 $f_{uk} \leq 1000 \text{ N/mm}^2$ $A_5 > 12 \%$ fracture elongation
3	Washer ISO 7089:2000	zinc plated $\geq 5 \mu\text{m}$ EN ISO 4042:1999 A2K	1.4401; 1.4404; 1.4578; 1.4571; 1.4439; 1.4362; EN 10088-1:2014	1.4565;1.4529 EN 10088-1:2014
4	Hexagon nut	Property class 8; EN ISO 898-2:2012 zinc plated $\geq 5 \mu\text{m}$ , ISO 4042:1999 A2K	Property class 70 EN ISO 3506-1:2009 1.4401; 1.4404; 1.4578; 1.4571; 1.4439; 1.4362; EN 10088-1:2014	Property class 70 EN ISO 3506-1:2009 1.4565; 1.4529 EN 10088-1:2014
5	fischer filling disk FFD similar to DIN 6319-G	zinc plated $\geq 5 \mu\text{m}$ , EN ISO 4042:1999 A2K	1.4401; 1.4404; 1.4578; 1.4571; 1.4439; 1.4362; EN 10088-1:2014	1.4565;1.4529 EN 10088-1:2014

fischer Highbond-Anchor FHB II Inject

**System description**  
Materials

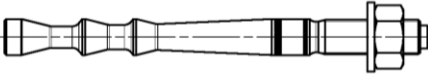

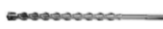

**Annex A 5**

Appendix 7 / 20



# Specifications of intended use (part 1)

**Table B1.1:** Overview use and performance categories

Anchorages subject to		fischer injection mortar FIS HB with ...			
		FHB II Inject – A L		FHB II Inject – A S	
					
Hammer drilling with standard drill bit		all sizes			
Hammer drilling with hollow drill bit (Heller "Duster Expert" or Hilti "TE-CD, TE-YD")		Nominal drill bit diameter ( $d_0$ ) $\geq$ 12 mm			
Static or quasi static load, in	uncracked concrete	all sizes	Tables: C1.1, C3.1, C5.1	all Sizes	Tables: C2.1, C4.1, C6.1
	cracked concrete				
Use category	dry or wet concrete	all sizes			
Kind of installation	Pre-positioned anchor	all sizes			
	Push through anchor	all sizes			
Installation temperature		-5 C to +40 C			
In-service temperature		-40°C to +80°C (max. short term temperature +80 °C and max. long term temperature +50 °C)			

fischer Highbond-Anchor FHB II Inject

**Intended use**  
Specifications (part 1)

**Annex B 1**

Appendix 8 / 20

## Specifications of intended use (part 2)

### Base materials:

- Reinforced or unreinforced normal weight concrete Strength classes C20/25 to C50/60 according to EN 206-1:2000

### Use conditions (Environmental conditions):

- Structures subject to dry internal conditions  
(zinc coated steel, stainless steel or high corrosion resistant steel)
- Structures subject to external atmospheric exposure (including industrial and marine environment) and to permanently damp internal condition, if no particular aggressive conditions exist  
(stainless steel or high corrosion resistant steel)
- Structures subject to external atmospheric exposure, to permanently damp internal conditions or in other particular aggressive conditions (high corrosion resistant steel)

Note: Particular aggressive conditions are e.g. permanent, alternating immersion in seawater or the splash zone of seawater, chloride atmosphere of indoor swimming pools or atmosphere with extreme chemical pollution (e.g. in desulphurization plants or road tunnels where de-icing materials are used)

### Design:

- Anchorages have to be designed by a responsible engineer with experience of concrete anchor design
- Verifiable calculation notes and drawings are to be prepared taking account of the loads to be anchored. The position of the anchor is indicated on the design drawings (e.g. position of the anchor relative to reinforcement or to supports, etc.)
- Anchorages under static or quasi-static actions are designed in accordance with:  
EOTA ETAG 001 Annex C, 08/2010 or CEN/TS 1992-4:2009

### Installation:

- Anchor installation is to be carried out by appropriately qualified personnel and under the supervision of the person responsible for technical matters of the site
- In case of aborted hole: The hole shall be filled with mortar
- Observe the effective anchorage depth
- Overhead installation is allowed

fischer Highbond-Anchor FHB II Inject

**Intended Use**  
Specifications (part 2)

**Annex B 2**

Appendix 9 / 20

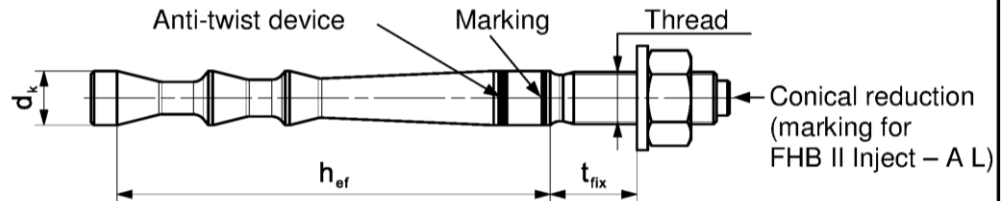
**Table B3.1:** Installation parameters for fischer Highbond – Anchor rods FHB II Inject – A L

Anchor rod FHB II Inject– A L	Thread	M8x		M10x		M12x		M16x			M20x	M24x
		60	95	100	120	125	145	160	210	210		
Cone diameter	$d_k$	9,4	10,7	12,5		16,8			23,0			
Width across flats	SW	13	17	19		24			30	36		
Nominal drill hole diameter	$d_0$	10	12	14		18			25			
Drill hole depth	$h_0$	66	101	106	126	131	151	166	216			
Effective anchorage depth	$h_{ef}$	60	95	100	120	125	145	160	210			
Minimum spacing and minimum edge distance	$s_{min} = c_{min}$	40		50		55	60	70	90			
Diameter of clearance hole in the fixture <sup>1)</sup>	pre-positioned anchorage $d_f \leq$	9	12	14		18			22	26		
	push through anchorage $d_f \leq$	11	14	16		20			26			
Min. thickness of concrete member	$h_{min}$	100	140		170		190	220	280			
Installation torque	$T_{inst}$	15	20	40		60			100			
Thickness of fixture	$t_{fix} \leq$	1500										
fischer filling disk FFD <sup>2)</sup>	$\geq d_a$	-	26	30		38			46	54		
	$t_s$	-	6	6		7			8	10		

<sup>1)</sup> For larger clearance holes in the fixture see EOTA ETAG 001 Annex C, 08/2010 or CEN/TS 1992-4-:2009

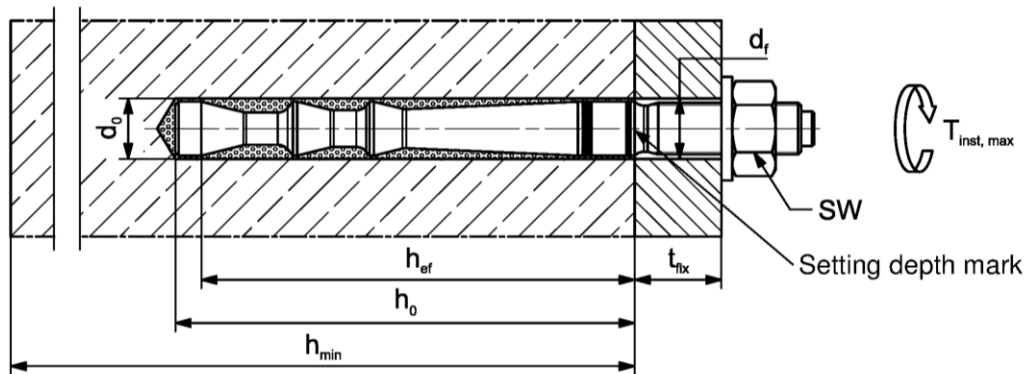
<sup>2)</sup> Using fischer filling disk FFD reduces  $t_{fix}$  (usable length of the anchor)

**fischer Highbond – Anchor rod FHB II Inject – A L**



**Marking:** work symbol, size of anchor, setting depth. e.g.: M10x95  
 For stainless steel additional **A4**. For high corrosion resistant steel additional **C**.  
 For high corrosion resistant steel additional marking **C** also on the face side

**Installation conditions:**



Pictures not to scale

fischer Highbond-Anchor FHB II Inject

**Intended Use**

Installation parameters fischer Highbond-Anchor rod FHB II Inject – A L

**Annex B 3**

Appendix 10 / 20

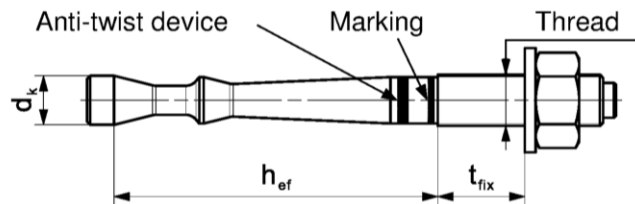
**Tabelle B4.1:** Installation parameters for fischer Highbond – Anchor rods FHB II Inject – A S

Anchor rod FHB II Inject – A S		Thread	M10x		M12x	M16x	M20x	M24x
			60	75	75	95	170	170
Cone diameter	$d_k$	[mm]	9,4		11,3	14,5	23,0	
Width across flats	SW		17		19	24	30	36
Nominal drill hole diameter	$d_0$		10		12	16	25	
Drill hole depth	$h_0$		66	81	81	101	176	
Effective anchorage depth	$h_{ef}$		60	75	75	95	170	
Minimum spacing and minimum edge distance	$s_{min} = c_{min}$		40			50	80	
Diameter of clearance hole in the fixture <sup>1)</sup>	pre-positioned anchorage $d_f \leq$		12		14	18	22	26
	push through anchorage $d_f \leq$		12		14	18	26	
Min. thickness of concrete member	$h_{min}$		100	120		150	240	
Installation torque	$T_{inst}$ [Nm]		15		30	50	100	
Thickness of fixture	$t_{fix} \leq$	1500						
fischer filling disk FFD <sup>2)</sup>	$\geq d_a$	26		30	38	46	54	
	$t_s$	6		6	7	8	10	

<sup>1)</sup> For larger clearance holes in the fixture see EOTA ETAG 001 Annex C, 08/2010 or CEN/TS 1992-4-:2009

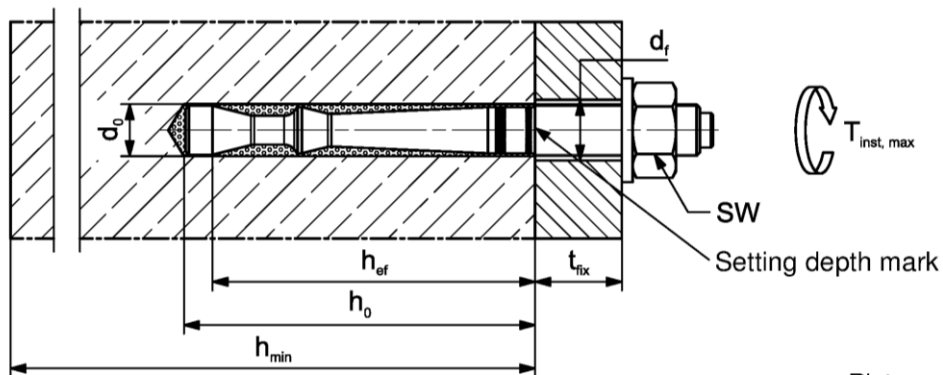
<sup>2)</sup> Using fischer filling disk FFD reduces  $t_{fix}$  (usable length of the anchor)

**fischer Highbond – Anchor rod FHB II Inject – A S**



**Marking:** work symbol, size of anchor, setting depth. e.g.: M10x75  
 For stainless steel additional **A4**. For high corrosion resistant steel additional **C**.  
 For high corrosion resistant steel additional marking **C** also on the face side

**Installation conditions:**



Pictures not to scale

fischer Highbond-Anchor FHB II Inject

**Intended Use**

Installation parameters fischer Highbond-Anchor rod FHB II Inject– A S

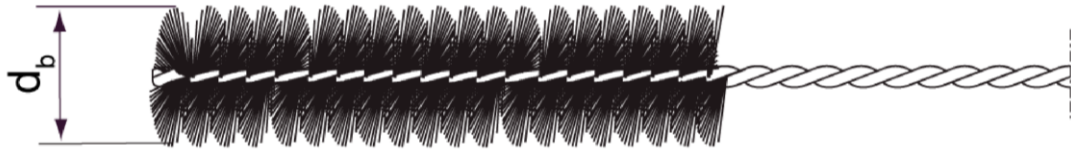
**Annex B 4**

Appendix 11 / 20

**Table B5.1:** Parameters of the cleaning brush BS (steel brush)

The size of the steel brush refers to the nominal drill hole diameter

Drill hole diameter	$d_0$	[mm]	10	12	14	16	18	25
Brush diameter	$d_b$		11	13	16	20		27

**Table B5.2:** Maximum processing time of the mortar **FIS HB** and minimum curing time (During the curing time of the mortar the concrete temperature may not fall below the listed minimum temperature)

System temperature [°C]	Maximum processing time $t_{work}$	Minimum curing time <sup>1)</sup> $t_{cure}$
-5 to -1	---	6 h
0 to +4	---	3 h
> +5 to +9	15 min	90 min
> +10 to +19	6 min	35 min
> +20 to +29	4 min	20 min
> +30 to +40	2 min	12 min

<sup>1)</sup> In wet concrete the curing times must be doubled

Pictures not to scale

fischer Highbond-Anchor FHB II Inject

**Intended Use**

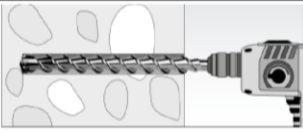
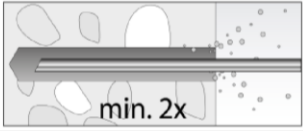

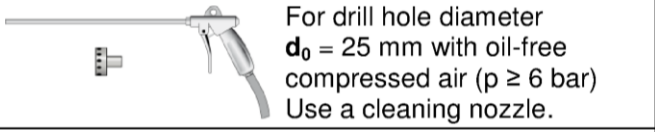
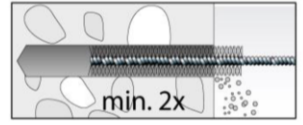
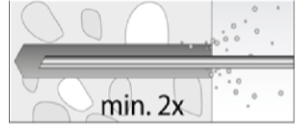

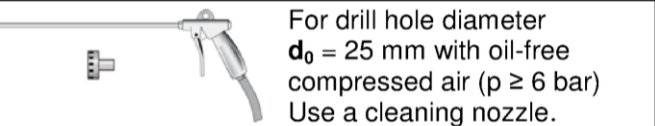
Parameters of the cleaning brush; Processing times and curing times

**Annex B 5**

Appendix 12 / 20


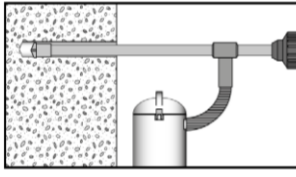
# Installation instructions part 1; Installation with injection mortar FIS HB

## Bohrlocherstellung und Bohrlochreinigung (Hammerbohren mit Standardbohrer)

1		Drill the hole with hammer drill. Drill hole diameter $d_0$ and drill hole depth $h_0$ see <b>Tables B3.1, B4.1</b>	
2		Blow out the drill hole twice. If necessary, remove standing water out of the bore hole	
		For drill hole diameter $d_0 < 25$ mm with hand-blowout or oil-free compressed air	 For drill hole diameter $d_0 = 25$ mm with oil-free compressed air ( $p \geq 6$ bar) Use a cleaning nozzle.
3		Brush the bore hole twice. Corresponding brushes see <b>Table B5.1</b>	
4		Blow out the drill hole twice	
		For drill hole diameter $d_0 < 25$ mm with hand-blowout or oil-free compressed air	 For drill hole diameter $d_0 = 25$ mm with oil-free compressed air ( $p \geq 6$ bar) Use a cleaning nozzle.

Go to step 5

## Drilling and cleaning the hole (hammer drilling with hollow drill bit)

1		Check a suitable hollow drill (see <b>Table B1.1</b> ) for correct operation of the dust extraction	
2		Use a suitable dust extraction system, e. g. Bosch GAS 35 M AFC or a comparable dust extraction system with equivalent performance data Drill the hole with hollow drill bit. The dust extraction system has to extract the drill dust nonstop during the drilling process and must be adjusted to maximum power. Diameter of drill hole $d_0$ and drill hole depth $h_0$ see <b>Tables B3.1, B4.1</b>	

Go to step 5

fischer Highbond-Anchor FHB II Inject

### Intended use

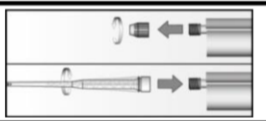

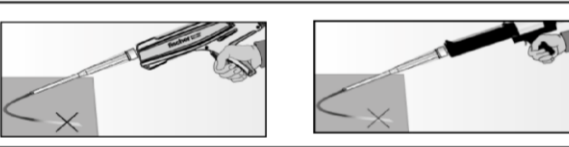
Installation instructions part 1; Installation with injection mortar

**Annex B 6**

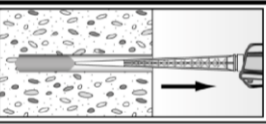
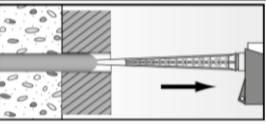
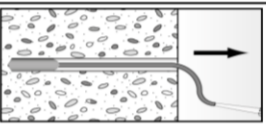
Appendix 13 / 20

## Installation instructions part 2; Installation with injection mortar FIS HB

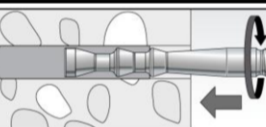
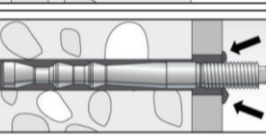
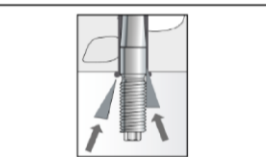



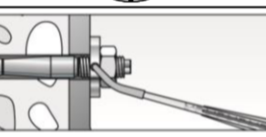
### Preparing the cartridge

5		<p>Remove the sealing cap Screw on the static mixer (the spiral in the static mixer must be clearly visible)</p>
6		Place the cartridge into the dispenser
7		<p>Extrude approximately 10 cm of material until the resin is evenly grey in colour. Do not use mortar that is not uniformly grey</p>

### Injection of the mortar

8		<p>Fill approximately 2/3 of the drill hole with mortar. Exact quantity of mortar (travel scale on the cartridge) see instruction sheet. Fill the drill hole with mortar, always begin from the bottom of the hole to avoid bubbles</p>
		<p><b>Push-through installation:</b> By using Highbond-Anchor rods <b>FHB II Inject - AL</b> the drill hole in the fixture must be also filled with mortar. By using Highbond-Anchor rods <b>FHB II Inject - AS</b> is this not necessary.</p>
		<p>For drill hole depth <math>\geq 170</math> mm use an extension tube</p>

### Installation Highbond-Anchor rod FHB II Inject- A L and FHB II Inject – A S

9		<p>Only use clean and oil-free anchor rods. Push the anchor rod down to the bottom of the hole, turning it slightly while doing so.</p>			
10		<p>After inserting the anchor rod <b>FHB II Inject - AL</b>, surplus mortar must be escaped from the fixture. After inserting the anchor rod <b>FHB II Inject - AS</b>, surplus mortar must be escaped from the bore hole or must be visible in the fixture.</p>			
		<p>For overhead installations support the anchor rod with wedges. (e.g. fischer centering wedges)</p> 			
11		<p>Wait for the specified curing time <math>t_{cure}</math> see <b>Table B5.2</b></p>	12		<p>Mounting the fixture <math>T_{inst}</math> see <b>Tables B3.1, B4.1</b></p>
Option		<p>After the minimum curing time is reached, the gap between anchor and fixture (annular clearance) may be filled with mortar via the fischer filling disc FFD. compressive strength <math>\geq 50</math> N/mm<sup>2</sup> (e.g. FIS HB). ATTENTION: Using fischer filling disk FFD reduces <math>t_{fix}</math> (usable length of the anchor)</p>			

fischer Highbond-Anchor FHB II Inject

#### Intended use

Installation instructions part 2; Installation with injection mortar

**Annex B 7**

Appendix 14 / 20

<b>Table C1.1: Characteristic values under static and quasi-static tension load for fischer Highbond-Anchors FHB II Inject - A L</b>											
Anchor rod FHB II Inject – A L			M8x 60	M10x 95	M12x 100   120		M16x 125   145   160			M20x 210	M24x 210
<b>Bearing capacity under tensile load, steel failure</b>											
Characteristic resistance $N_{Rk,s}$	Steel, zinc plated	[kN]	25,1	34,4	49,8		96,6			137,6	
	Stainless steel A4		25,1	34,4	49,8		96,6			137,6	
	High corrosion resistant steel C		25,1	34,4	49,8		96,6			137,6	
<b>Partial safety factors<sup>1)</sup></b>											
Partial safety factor $\gamma_{Ms,N}$	Steel, zinc plated	[-]					1,5 <sup>1)</sup>				
	Stainless steel A4						1,5 <sup>1)</sup>				
	High corrosion resistant steel C						1,5 <sup>1)</sup>				
<b>Pullout failure in cracked concrete C20/25</b>											
Characteristic resistance	$N_{Rk,p}$	[kN]	--- <sup>2)</sup>								
<b>Pullout and splitting failure in uncracked concrete C20/25</b>											
Characteristic resistance	$N_{Rk,p}$	[kN]	--- <sup>2)</sup>								
Edge distance	$c_{cr,sp}$	[mm]	300	476	380	600	375	500	580	630	
Spacing	$s_{cr,sp}$		150	238	190	300	188	250	290	315	
<b>Pullout and splitting failure in uncracked concrete C20/25</b>											
Characteristic resistance	$N_{Rk,p}$ <sup>3)</sup>	[kN]	20	35	40	50	--- <sup>2)</sup>	75	95	--- <sup>2)</sup>	
Edge distance	$c_{cr,sp}$	[mm]	1,5 $h_{ef}$								
Spacing	$s_{cr,sp}$		3,0 $h_{ef}$								
<b>Factors for the compressive strength of concrete &gt; C20/25</b>											
Increasing factor for $N_{Rk,p}$	C25/30	$\Psi_c$	[-]	1,10							
	C30/37			1,22							
	C35/45			1,34							
	C40/50			1,41							
	C45/55			1,48							
	C50/60			1,55							
<b>Factors acc. to CEN/TS 1992-4:2009 Section 6.2.2.3</b>											
Uncracked concrete	$k_{ucr}$	[-]	10,1								
Cracked concrete	$k_{cr}$		7,2								
<b>Concrete cone failure</b>											
Effective anchorage depth	$h_{ef}$	[mm]	60	95	100	120	125	145	160	210	
Partial safety factor <sup>1) 4)</sup>	$\gamma_{Mc}$	[-]	1,5	1,5							
<sup>1)</sup> In absence of other national regulations <sup>2)</sup> Not decisive (proof of splitting failure acc. ETAG 001, Annex C) <sup>3)</sup> Proof of splitting failure acc. ETAG 001, Annex C, (Section 5.3). Instead of $N_{Rk,c}^0$ use $N_{Rk,p}$ . <sup>4)</sup> $\gamma_2 = 1,0$ is included											
fischer Highbond-Anchor FHB II Inject										<b>Annex C 1</b> Appendix 15 / 20	
<b>Performances</b> Characteristic values under static and quasi-static tension load for fischer Highbond-Anchor FHB II Inject – A L											



**Table C2.1:** Characteristic values under static and quasi-static **tension load** for **fischer Highbond-Anchor FHB II Inject – A S**

Anchor rod FHB II Inject – A S		M10x		M12x	M16x	M20x	M24x
		60	75	75	95	170	170
<b>Bearing capacity under tensile load, steel failure</b>							
Characteristic resistance $N_{Rk,s}$	Steel, zinc plated	[kN]	25,1		34,4	61,6	128,5
	Stainless steel A4		25,1		34,4	61,6	128,5
	High corrosion resistant steel C		25,1		34,4	61,6	128,5
<b>Partial safety factors<sup>1)</sup></b>							
Partial safety factor $\gamma_{Ms,N}$	Steel, zinc plated	[-]			1,5 <sup>1)</sup>		
	Stainless steel A4				1,5 <sup>1)</sup>		
	High corrosion resistant steel C				1,5 <sup>1)</sup>		
<b>Pullout failure in cracked concrete C20/25</b>							
Characteristic resistance	$N_{Rk,p}$	[kN]	--- <sup>2)</sup>				
<b>Pullout and splitting failure in uncracked concrete C20/25</b>							
Characteristic resistance	$N_{Rk,p}$	[kN]	--- <sup>2)</sup>				
Edge distance	$c_{cr,sp}$	[mm]	300		340	510	
Spacing	$s_{cr,sp}$		150		170	255	
<b>Pullout and splitting failure in uncracked concrete C20/25</b>							
Characteristic resistance	$N_{Rk,p}$ <sup>3)</sup>	[kN]	20	25	40	--- <sup>2)</sup>	
Edge distance	$c_{cr,sp}$	[mm]	1,5 $h_{ef}$				
Spacing	$s_{cr,sp}$		3,0 $h_{ef}$				
<b>Factors for the compressive strength of concrete &gt; C20/25</b>							
Increasing factor for $N_{Rk,p}$	C25/30	$\Psi_c$	[-]	1,10			
	C30/37			1,22			
	C35/45			1,34			
	C40/50			1,41			
	C45/55			1,48			
	C50/60			1,55			
<b>Factors acc. to CEN/TS 1992-4:2009 Section 6.2.2.3</b>							
Uncracked concrete	$k_{ucr}$	[-]	10,1				
Cracked concrete	$k_{cr}$		7,2				
<b>Concrete cone failure</b>							
Effective anchorage depth	$h_{ef}$	[mm]	60	75	95	170	
Partial safety factor <sup>1) 4)</sup>	$\gamma_{Mc}$	[-]	1,5	1,5			

<sup>1)</sup> In absence of other national regulations

<sup>2)</sup> Not decisive (proof of splitting failure acc. ETAG 001, Annex C)

<sup>3)</sup> Proof of splitting failure acc. ETAG 001, Annex C, (Section 5.3). Instead of  $N_{Rk,c}^0$  use  $N_{Rk,p}$ .

<sup>4)</sup>  $\gamma_2 = 1,0$  is included

**Table C3.1:** Characteristic values under static and quasi-static **shear load** for **fischer Highbond-Anchor FHB II Inject – A L**

Anchor rod FHB II Inject – A L			M8x	M10x	M12x		M16x		M20x	M24x	
			60	95	100	120	125	145	160	210	210
<b>Bearing capacity under shear load, steel failure</b>											
<b>without lever arm</b>											
Characteristic resistance	Steel, zinc plated	$V_{Rk,s}$	[kN]	13,7	20,8	30,3		56,3		87,9	126,9
	Stainless steel A4 and High corrosion resistant steel C			15,2	23,2	33,7		62,7		97,9	141
<b>with lever arm</b>											
Characteristic bending moment	Steel, zinc plated	$M^0_{Rk,s}$	[Nm]	31	62	105		266		519	896
	Stainless steel A4 and High corrosion resistant steel C			31	62	105		266		519	896
<b>Partial safety factors</b>											
Partial safety factor <sup>1)</sup>	$\gamma_{Ms,v}$	[-]	1,25								
Ductility factor acc. to CEN/TS 1992-4-5:2009 Section 6.3.2.1	$k_2$	[-]	1,0								
<b>Concrete pry-out failure</b>											
Factor k acc. TR029 Section 5.2.3.3 or $k_3$ acc. CEN/TS 1992-4-5:2009 Section 6.3.3	$k_{(3)}$	[-]	2,0								
Partial safety factors <sup>1)</sup>	$\gamma_{Mcp}$		1,5								
<b>Concrete edge failure</b>											
Effective length of anchor	$l_f$	[mm]	60	95	100	112	125	144		200	
Calculation diameter	$d$		10	12	14		18		25		
Partial safety factor <sup>1)</sup>	$\gamma_{Mc}$	[-]	1,5								

<sup>1)</sup> In absence of other national regulations

fischer Highbond-Anchor FHB II Inject

**Performances**

Characteristic values under static and quasi-static shear load for fischer Highbond-Anchor FHB II Inject – A L

**Annex C 3**

Appendix 17 / 20

<b>Table C4.1: Characteristic values under static and quasi-static shear load for fischer Highbond-Anchor FHB II Inject – A S</b>								
<b>Anchor rod FHB II Inject – A S</b>			<b>M10x</b>		<b>M12x</b>	<b>M16x</b>	<b>M20x</b>	<b>M24x</b>
			<b>60</b>	<b>75</b>	<b>75</b>	<b>95</b>	<b>170</b>	<b>170</b>
<b>Bearing capacity under shear load, steel failure</b>								
<b>without lever arm</b>								
Characteristic resistance	Steel, zinc plated	$V_{Rk,s}$	[kN]	19,7	27,3	50,8	80,3	114,2
	Stainless steel A4			24,1	33,7	62,7	97,9	124,5
	High corrosion resistant steel C			24,1	33,7	62,7	97,9	141
<b>with lever arm</b>								
Characteristic bending moment	Steel, zinc plated	$M^0_{Rk,s}$	[Nm]	62	105	266	519	896
	Stainless steel A4 and High corrosion resistant steel C			62	105	266	519	896
<b>Partial safety factors</b>								
Partial safety factor <sup>1)</sup>	$\gamma_{Ms,V}$	[-]		1,25				
Ductility factor acc. to CEN/TS 1992-4-5:2009 Section 6.3.2.1	$k_2$	[-]		1,0				
<b>Concrete pry-out failure</b>								
Factor k acc. TR029 Section 5.2.3.3 or $k_3$ acc. CEN/TS 1992-4-5:2009 Section 6.3.3	$k_{(3)}$	[-]		2,0				
Partial safety factors <sup>1)</sup>	$\gamma_{Mcp}$	[-]		1,5				
<b>Concrete edge failure</b>								
Effective length of anchor	$l_f$	[mm]	60	75	95	170		
Calculation diameter	$d$		10	12	16	25		
Partial safety factor <sup>1)</sup>	$\gamma_{Mc}$	[-]		1,5				
<sup>1)</sup> In absence of other national regulations								
fischer Highbond-Anchor FHB II Inject							<b>Annex C 4</b>	
<b>Performances</b> Characteristic values under static and quasi-static shear load for fischer Highbond-Anchor FHB II Inject – A S								Appendix 18 / 20

<b>Table C5.1: Displacement for fischer Highbond-Anchor FHB II Inject – A L</b>									
<b>Anchor rod FHB II Inject – A L</b>	<b>M8x 60</b>	<b>M10x 95</b>	<b>M12x</b>		<b>M16x</b>			<b>M20x 210</b>	<b>M24x 210</b>
			<b>100</b>	<b>120</b>	<b>125</b>	<b>145</b>	<b>160</b>		
<b>Displacement under tension load</b>									
<b>Cracked concrete</b>									
Tension load [kN]	6,6	15,9	17,1	22,5	24,0	30,0	34,7	52,2	52,2
$\delta_{N0}$ [mm]	0,8				0,6				
$\delta_{N\infty}$	1,7								
<b>Uncracked concrete</b>									
Tension load [kN]	9,3	22,3	24,0	31,6	33,6	42,0	48,7	73,2	73,2
$\delta_{N0}$ [mm]	0,2	0,4					0,6		
$\delta_{N\infty}$	1,7								
<b>Displacement under shear load</b>									
<b>Uncracked or cracked concrete</b>									
<b>Steel zinc plated</b>									
Shear load [kN]	7,8	11,9	17,3		32,2			50,2	72,5
$\delta_{V0}$ [mm]	1,2		1,3			3,5			
$\delta_{V\infty}$	1,8		2,0			5,3			
<b>Stainless steel A4</b>									
Shear load [kN]	8,7	13,3	19,3		35,8			55,9	80,6
$\delta_{V0}$ [mm]	1,0		1,1		2,2			3,5	
$\delta_{V\infty}$	1,5		1,7		3,3			5,3	
<b>High corrosion resistant steel C</b>									
Shear load [kN]	8,7	13,3	19,3		35,8			55,9	80,6
$\delta_{V0}$ [mm]	1,2		1,3		2,4			3,7	
$\delta_{V\infty}$	1,8		2,0		3,6			5,6	
fischer Highbond-Anchor FHB II Inject								<b>Annex C 5</b> Appendix 19 / 20	
<b>Performances</b> Displacement for fischer Highbond-Anchor FHB II Inject - A L									

<b>Table C6.1: Displacement for fischer Highbond-Anchor FHB II Inject – A S</b>						
Anchor rod FHB II Inject – A S	M10x		M12x	M16x	M20x	M24x
	60	75	75	95	170	170
<b>Displacement under tension load</b>						
<b>Cracked concrete</b>						
Tension load [kN]	6,6	11,1	15,9	38,0		
$\delta_{N0}$ [mm]	0,8	0,3	0,4	0,6		
$\delta_{N\infty}$	1,7					
<b>Uncracked concrete</b>						
Tension load [kN]	9,3	15,6	22,3	53,3		
$\delta_{N0}$ [mm]	0,2				0,5	
$\delta_{N\infty}$	1,7					
<b>Displacement under shear load</b>						
<b>Cracked or uncracked concrete</b>						
<b>Steel zinc plated</b>						
Shear load [kN]	11,3	12,7	29,0	45,9	65,3	
$\delta_{V0}$ [mm]	1,2	1,5	2,8			
$\delta_{V\infty}$	1,8	2,3	4,2			
<b>Stainless steel A4</b>						
Shear load [kN]	13,8	19,3	35,8	55,9	71,1	
$\delta_{V0}$ [mm]	1,0	1,1	2,2	3,5		
$\delta_{V\infty}$	1,5	1,7	3,3	5,3		
<b>High corrosion resistant steel C</b>						
Shear load [kN]	13,8	19,3	35,8	55,9	80,6	
$\delta_{V0}$ [mm]	1,2	1,3	2,4	3,7	5,0	
$\delta_{V\infty}$	1,8	2,0	3,6	5,6	7,5	
fischer Highbond-Anchor FHB II Inject						<b>Annex C 6</b> Appendix 20 / 20
<b>Performances</b> Displacement for fischer Highbond-Anchor FHB II Inject - A S						