

## DECLARATION OF PERFORMANCE

### DoP 0394

for fischer injection system FIS EM PLUS (Bonded fastener for use in concrete)

EN

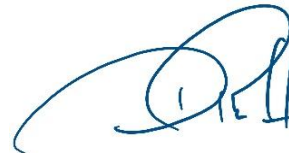
1. Unique identification code of the product-type: **DoP 0394**
2. Intended use/es: **Post-installed fastening in cracked or uncracked concrete, see appendix, especially annexes B1 - B19.**
3. Manufacturer: **fischerwerke GmbH & Co. KG, Otto-Hahn-Straße 15, 79211 Denzlingen, Germany**
4. Authorised representative: **–**
5. System/s of AVCP: **1**
6. European Assessment Document: **EAD 330499-02-0601-v01**  
 European Technical Assessment: **ETA-17/0979; 2026-02-12**  
 Technical Assessment Body: **DIBt- Deutsches Institut für Bautechnik**  
 Notified body/ies: **2873 TU Darmstadt**
7. Declared performance/s:  
**Mechanical resistance and stability (BWR 1)**  
**Characteristic resistance to tension load (static and quasi-static loading):**
  - 1) Resistance to steel failure: see appendix, especially annexes C1, C2, C3, C4, C22, C24, C26
  - 2) Resistance to combined pull- out and concrete cone failure: see appendix, especially annexes C5-C19, C27-C37
  - 3) Resistance to concrete cone failure: see appendix, especially annex C5, C27
  - 4) Edge distance to prevent splitting under load: see appendix, especially annex C5, C27
  - 5) Robustness: see appendix, especially annexes C5-C19, C27-C37, C43-C45, C49, C50
  - 6) Maximum installation torque: see appendix, especially annexes B4, B5, B9-B11, B14
  - 7) Minimum edge distance and spacing, member thickness: see appendix, especially annexes B4 - B14**Characteristic resistance to shear load (static and quasi-static loading):**
  - 8) Resistance to steel failure: see appendix, especially annexes C1, C2, C3, C4, C23, C25, C26
  - 9) Resistance to pry-out failure: see appendix, especially annexes C5, C27
  - 10) Resistance to concrete edge failure: see appendix, especially annexes C5, C27**Displacements under short-term and long-term loading:**
  - 11) Displacements under short-term and long-term loading: see appendix, especially annexes C20, C21, C38, C39
  - 12) Resistance in steel fibre reinforced concrete: see appendix, especially annex B3**Characteristic resistance and displacements for seismic performance categories C1 and C2:**
  - 13) Resistance to tension load, category C1: see appendix, especially annexes C40, C41, C43, C44, C46, C47, C49, C50
  - 14) Resistance to tension load, category C2: see appendix, especially annexes C41, C45
  - 15) Resistance to shear load, category C1: see appendix, especially annexes C40, C41, C46, C47
  - 16) Resistance to shear load, category C2: see appendix, especially annexes C41, C45**Safety in case of fire (BWR 2)**
  - 17) Reaction to fire: Class (A1)**Resistance to fire:**
  - 18) Fire resistance to steel failure (tension load): see appendix, especially annexes C51 - C53
  - 19) Bond resistance under fire conditions: see appendix, especially annex C54
  - 20) Fire resistance to steel failure under shear loading: see appendix, especially annexes C51 - C53**Hygiene, health and the environment (BWR 3)**
  - 21) Content, emission and/or release of dangerous substances: NPD
8. Appropriate Technical Documentation and/or Specific Technical Documentation: **–**

The performance of the product identified above is in conformity with the set of declared performance/s. This declaration of performance is issued, in accordance with Regulation (EU) No 305/2011, under the sole responsibility of the manufacturer identified above.

Signed for and on behalf of the manufacturer by:



Alexander Zanocco, Managing Director Sales and Managing Director Research & Development



Dieter Pfaff, Head of International Production Federation and Quality Management

Tumlingen, 2026-03-01

This DoP has been prepared in different languages. In case there is a dispute on the interpretation the English version shall always prevail.

The Appendix includes voluntary and complementary information in English language exceeding the (language-neutrally specified) legal requirements.

Mechanical resistance and stability (BWR 1)		
Characteristic resistance to tension load (static and quasi-static loading):		
1	Resistance to steel failure:	$N_{Rk,s}$ [kN]
2	Resistance to combined pull-out and concrete cone failure:	$\tau_{Rk}$ and/or $\tau_{Rk,100}$ [N/mm <sup>2</sup> ], $\psi_c, \psi_{sus}^0, \psi_{sus,100}$ [-] (BF)
	Resistance to pull-out failure:	$N_{Rk,p}$ and/or $N_{Rk,p,100}$ [kN], $\psi_c$ [-] (BEF)
3	Resistance to concrete cone failure:	$c_{cr,N}$ [mm], $k_{cr,N}, k_{ucr,N}$ [-]
4	Edge distance to prevent splitting under load:	$c_{cr,sp}$ [mm]
5	Robustness:	$\gamma_{inst}$ [-]
6	Maximum installation torque:	$\max T_{inst}$ [Nm] (BF)
	Installation torque:	$T_{inst}$ [Nm] (BEF)
7	Minimum edge distance, spacing and member thickness:	$c_{min}, s_{min}, h_{min}$ [mm]
Characteristic resistance to shear load (static and quasi-static loading):		
8	Resistance to steel failure:	$V_{Rk,s}^0$ [kN], $M_{Rk,s}^0$ [Nm], $k_7$ [-]
9	Resistance to pry-out failure:	$k_8$ [-]
10	Resistance to concrete edge failure:	$d_{nom}, l_f$ [mm]
Displacements under short-term and long-term loading:		
11	Displacements factors under short-term and long-term loading:	$\delta_0, \delta_\infty$ [mm/(N/mm <sup>2</sup> )] or [mm/kN]
12	Resistance in steel fibre reinforced concrete:	Description
Characteristic resistance and displacements for seismic performance categories C1 and C2:		
13	Resistance to tension for seismic performance category C1	$N_{Rk,s,C1}$ [kN] (all) $\tau_{Rk,C1}$ [N/mm <sup>2</sup> ] (BF) $N_{Rk,p,C1}$ [kN] (BEF)
14	Resistance to tension and displacements for seismic performance category C2	$N_{Rk,s,C2}$ [kN] (all) $\tau_{Rk,C2}$ [N/mm <sup>2</sup> ] (BF) $N_{Rk,p,C2}$ [kN] (BEF) $\delta_{N,C2(50\%)}, \delta_{N,C2(100\%)}$ [mm] (all)
15	Resistance to shear for seismic performance category C1	$V_{Rk,s,C1}$ [kN] (all)
16	Resistance to shear load and displacements for seismic performance category C2	$V_{Rk,s,C2}$ [kN] (all) $\delta_{V,C2(50\%)}, \delta_{V,C2(100\%)}$ [mm] (all)
Safety in case of fire (BWR 2)		
17	Reaction to fire	Class
Resistance to fire		
18	Fire resistance to steel failure (tension load):	$N_{Rk,s,fi}$ [kN]
19	Bond resistance under fire conditions:	$k_{fi,p}(\theta)$ [-], $\tau_{Rk,fi}(\theta)$ [N/mm <sup>2</sup> ] (BF)
20	Fire resistance to steel failure under shear loading:	$V_{Rk,s,fi}$ [kN], $M_{Rk,s,fi}^0$ [Nm]
Hygiene, health and the environment (BWR 3)		
21	Content, emission and/or release of dangerous substances:	Description/Level

## Specific Part

### 1 Technical description of the product

The "fischer injection system FIS EM Plus" is a bonded fastener consisting of a cartridge with injection mortar fischer FIS EM Plus and a steel element according to Annex A5.

The steel element is placed into a drilled hole filled with injection mortar and is anchored via the bond between metal part, injection mortar and concrete.

The product description is given in Annex A.

### 2 Specification of the intended use in accordance with the applicable European Assessment Document

The performances given in Section 3 are only valid if the anchor is used in compliance with the specifications and conditions given in Annex B.

The verifications and assessment methods on which this European Technical Assessment is based lead to the assumption of a working life of the anchor of at least 50 or 100 years. The indications given on the working life cannot be interpreted as a guarantee given by the producer, but are to be regarded only as a means for choosing the right products in relation to the expected economically reasonable working life of the works.

### 3 Performance of the product and references to the methods used for its assessment

#### 3.1 Mechanical resistance and stability (BWR 1)

Essential characteristic	Performance
Characteristic resistance to tension load (static and quasi-static loading)	See Annex B4 to B15, C1 to C19, C22, C24, C26 to C37
Characteristic resistance to shear load (static and quasi-static loading)	See Annex C1 to C4, C23, C25, C26
Displacements under short-term and long-term loading	See Annex C20, C21, C38, C39
Characteristic resistance and displacements for seismic performance categories C1 and C2	See Annex C40 to C50

#### 3.2 Safety in case of fire (BWR 2)

Essential characteristic	Performance
Reaction to fire	Class A1
Resistance to fire	See Annex C51 to C54

#### 3.3 Hygiene, health and the environment (BWR 3)

Essential characteristic	Performance
Content, emission and/or release of dangerous substances	No performance assessed

**4 Assessment and verification of constancy of performance (AVCP) system applied, with reference to its legal base**

In accordance with the European Assessment Document EAD 330499-02-0601-v01 the applicable European legal act is: [96/582/EC].

The system to be applied is: 1

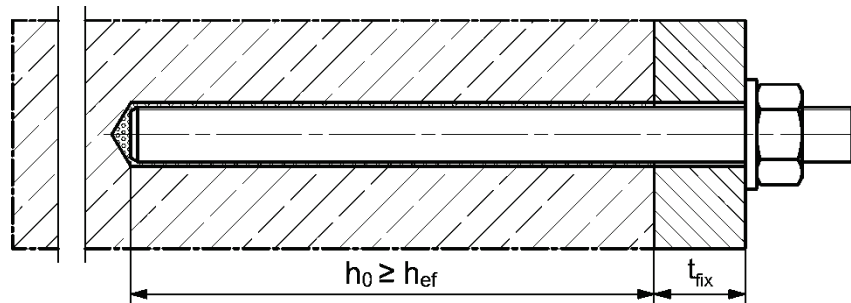
**5 Technical details necessary for the implementation of the AVCP system, as provided for in the applicable European Assessment Document**

Technical details necessary for the implementation of the AVCP system are laid down in the control plan deposited at Deutsches Institut für Bautechnik.

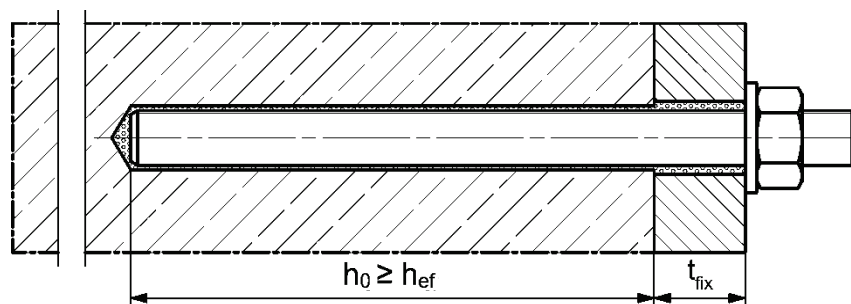
# Installation conditions part 1

fischer Anchor rod FIS A / RG M (Anchor rod) and commercial standard threaded rod (Threaded rod)

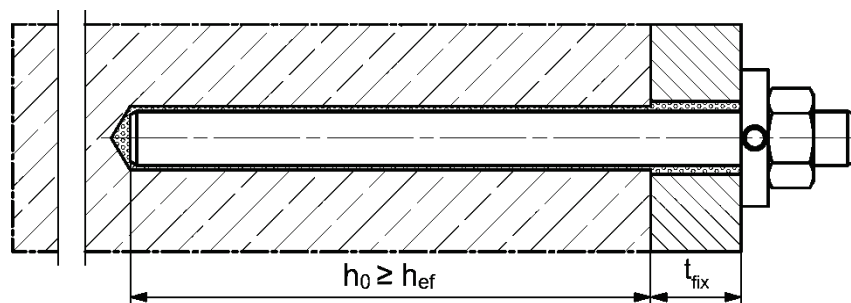
## Pre-positioned installation



## Push through installation (annular gap filled with mortar)



## Pre-positioned or push through installation with subsequently injected fischer filling disc FFD (annular gap filled with mortar)



Figures not to scale

$h_0$  = drill hole depth

$h_{ef}$  = effective embedment depth

$t_{fix}$  = thickness of fixture

## fischer Injection System FIS EM PLUS

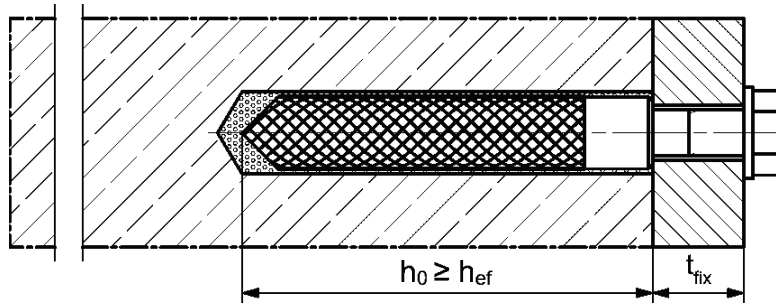
**Product description**  
Installation conditions part 1

**Annex A1**  
Appendix 3 / 28

## Installation conditions part 2

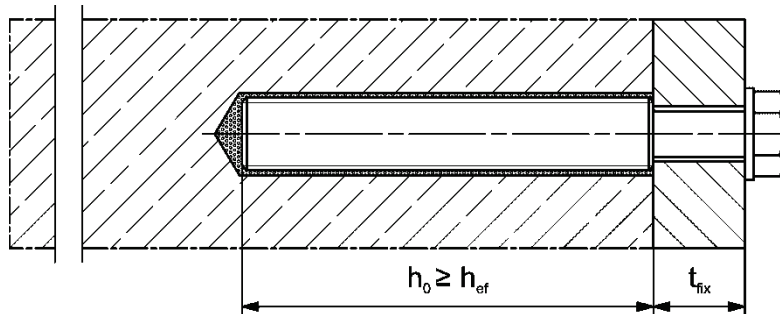
### fischer internal threaded anchor RG M I (fischer RG M I)

#### Pre-positioned installation



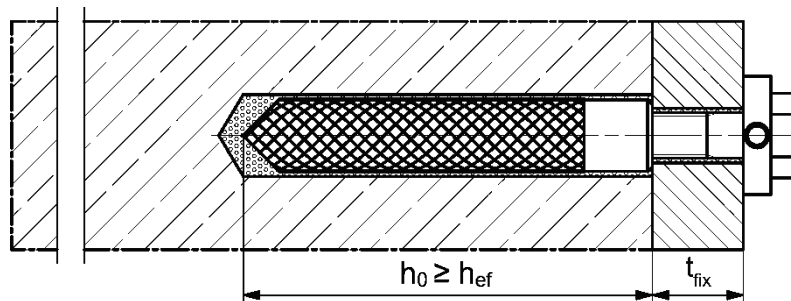
### fischer internal threaded anchor FIS IG (fischer FIS IG)

#### Pre-positioned installation



#### Pre-positioned installation with subsequently injected fischer filling disc (annular gap filled with mortar)

Can be used in conjunction with fischer RG M I and fischer FIS IG.



Figures not to scale

$h_0$  = drill hole depth

$h_{ef}$  = effective embedment depth

$t_{fix}$  = thickness of fixture

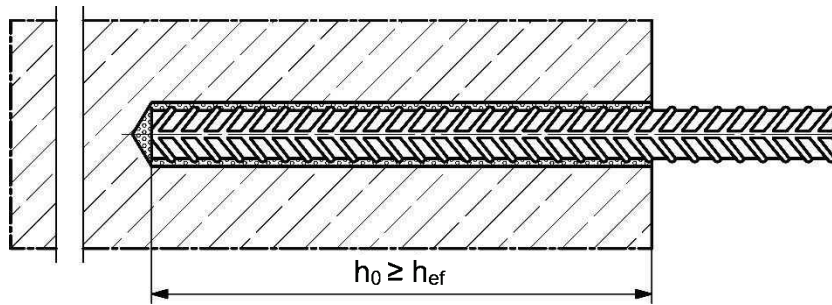
### fischer Injection System FIS EM PLUS

**Product description**  
Installation conditions part 2

**Annex A2**  
Appendix 4 / 28

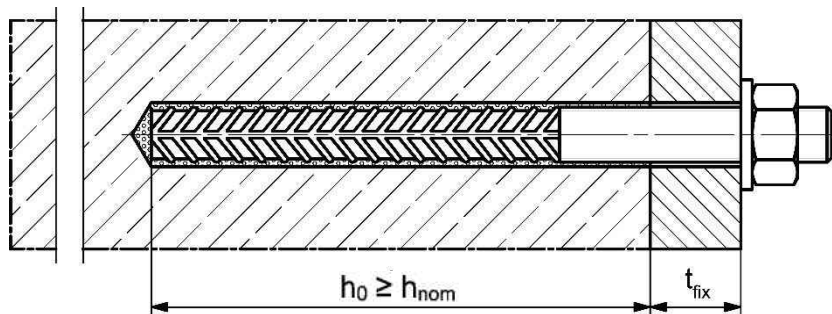
# Installation conditions part 3

## Reinforcing bar (Rebar)

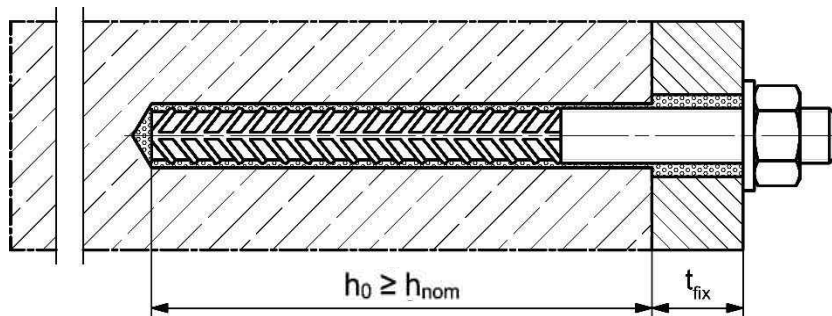


## fischer rebar anchor FRA (fischer FRA)

### Pre-positioned installation



### Push through installation (annular gap filled with mortar)



Figures not to scale

$h_0$  = drill hole depth

$h_{ef}$  = effective embedment depth

$t_{fix}$  = thickness of fixture

$h_{nom}$  = overall fastener embedment depth in the concrete

## fischer Injection System FIS EM PLUS

**Product description**  
Installation conditions part 3

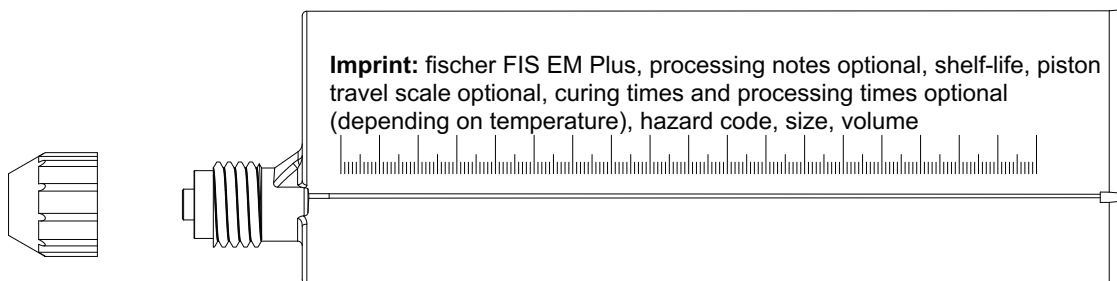
**Annex A3**  
Appendix 5 / 28

## Overview system components part 1

### Injection cartridge (shuttle cartridge) FIS EM Plus with sealing cap

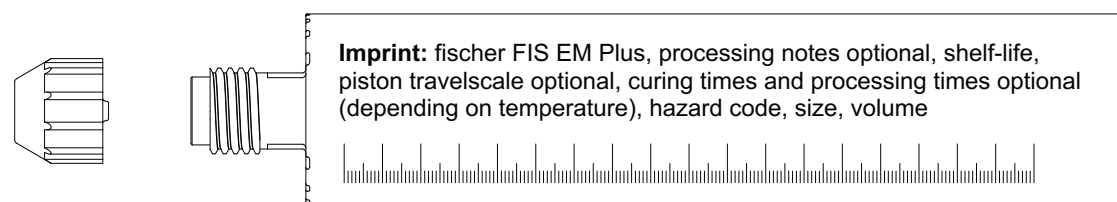
Sizes: 390 ml, 585 ml, 1500 ml (the 390 ml hard cartridge is shown as an example)

Size foil bag: 500 ml

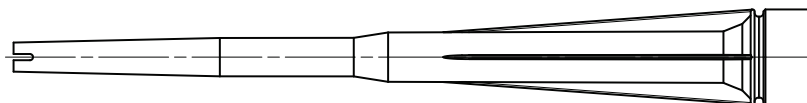


### Injection cartridge (coaxial cartridge) FIS EM Plus with sealing cap

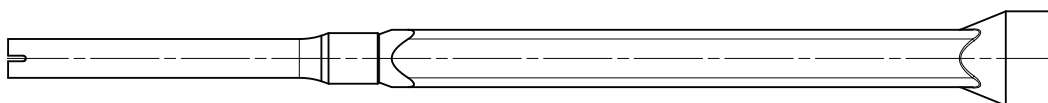
Sizes: 300 ml



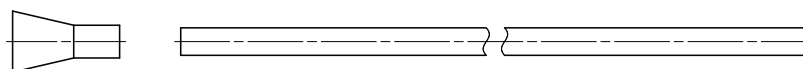
### Static mixer FIS MR Plus for injection cartridges $\leq 500$ ml



### Static mixer FIS UMR for injection cartridges $\geq 500$ ml



### Injection adapter and extension tube $\varnothing 9$ for static mixer FIS MR Plus; Injection adapter and extension tube $\varnothing 9$ or $\varnothing 15$ for static mixer FIS UMR



### Cleaning brush BS / BSB



### Compressed-air cleaning tool ABP



Figures not to scale

## fischer Injection System FIS EM PLUS

### Product description

Overview system components part 1;  
cartridges / static mixer / accessories

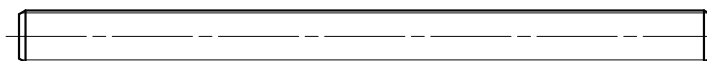
Annex A4

Appendix 6 / 28

## Overview system components part 2

### Anchor rod / Threaded rod

Metric size: M8, M10, M12, M14, M16, M20, M22, M24, M27, M30  
 Fractional size: 3/8", 1/2", 5/8", 3/4", 7/8", 1", 1 1/8"



### fischer RG M I

Metric size: M8, M10, M12, M16, M20  
 Fractional size: 3/8", 1/2", 5/8", 3/4"

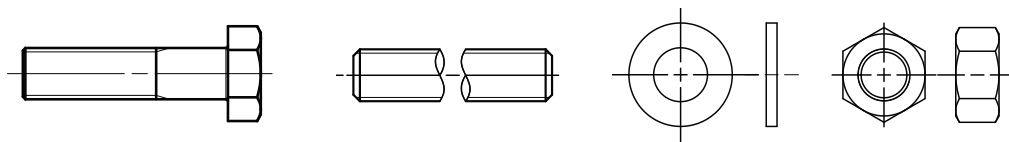


### fischer FIS IG

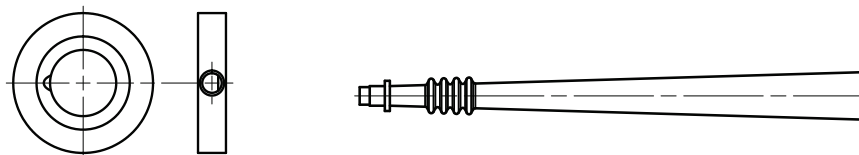
Metric size: M8, M10, M12, M16, M20



### Screw / Anchor rod / Threaded rod / washer / hexagon nut



### fischer filling disc FFD with injection adapter



### fischer centering clip DD-S / DD-E



### Reinforcing bar

Nominal diameter,  
 Metric size:  $\phi 8$ ,  $\phi 10$ ,  $\phi 12$ ,  $\phi 14$ ,  $\phi 16$ ,  $\phi 18$ ,  $\phi 20$ ,  $\phi 22$ ,  $\phi 24$ ,  $\phi 25$ ,  $\phi 26$ ,  $\phi 28$ ,  $\phi 30$ ,  $\phi 32$ ,  $\phi 34$ ,  $\phi 36$ ,  $\phi 40$   
 Fractional size: #3 (3/8"), #4 (1/2"), #5 (5/8"), #6 (3/4"), #7 (7/8"), #8 (1"), #9 (1,128"), #10 (1,270")



### fischer FRA

Metric size: M12, M16, M20, M24



Figures not to scale

### fischer Injection System FIS EM PLUS

**Product description**  
 Overview system components part 2;  
 steel components

**Annex A5**  
 Appendix 7 / 28

**Table A6.1: Materials, metric sizes**

Part	Designation	Material		
1	Injection cartridge	Mortar, hardener, filler		
	Steel grade	Steel zinc plated (zp, hdg)	Stainless steel R acc. to EN 10088-1:2023 Corrosion resistance class CRC III acc. to EN 1993-1-4:2006+A1:2015	High corrosion resistant steel HCR acc. to EN 10088-1:2023 Corrosion resistance class CRC V acc. to EN 1993-1-4:2006+A1:2015
2	Anchor rod / Threaded rod	Property class 4.8, 5.8 or 8.8; EN ISO 898-1:2013 zp ≥ 5 µm, EN ISO 4042:2022 or hot dip galvanised ≥ 40 µm EN ISO 10684:2004+AC:2009 $f_{uk} \leq 1000 \text{ N/mm}^2$ $A_5 > 12 \%$ fracture elongation <sup>1)</sup>	Property class 50, 70 or 80; EN ISO 3506-1:2020 1.4401; 1.4404; 1.4578; 1.4571; 1.4439; 1.4362; 1.4062; 1.4662; 1.4462; EN 10088-1:2023 $f_{uk} \leq 1000 \text{ N/mm}^2$ $A_5 > 12 \%$ fracture elongation <sup>1)</sup>	Property class 50, 70 or 80; EN ISO 3506-1:2020 or property class HCR 70 with $f_{yk} = 560 \text{ N/mm}^2$ ; 1.4565; 1.4529; EN 10088-1:2023 $f_{uk} \leq 1000 \text{ N/mm}^2$ $A_5 > 12 \%$ fracture elongation <sup>1)</sup>
3	Washer ISO 7089:2000	zinc plated ≥ 5 µm, EN ISO 4042:2022 or hot dip galvanised ≥ 40 µm EN ISO 10684:2004+AC:2009	1.4401; 1.4404; 1.4578; 1.4571; 1.4439; 1.4362; EN 10088-1:2023	1.4565; 1.4529; EN 10088-1:2023
4	Hexagon nut	Property class 5 or 8 acc. EN ISO 898-2:2022 zinc plated ≥ 5 µm, EN ISO 4042:2022 or hot dip galvanised ≥ 40 µm EN ISO 10684:2004+AC:2009	Property class 50, 70 or 80 acc. EN ISO 3506-2:2020 1.4401; 1.4404; 1.4578; 1.4571; 1.4439; 1.4362; EN 10088-1:2023	Property class 50, 70 or 80 acc. EN ISO 3506-2:2020 1.4565; 1.4529; EN 10088-1:2023
5	fischer RG M I / fischer FIS IG	Property class 5.8 EN ISO 898-1:2013 zinc plated ≥ 5 µm, EN ISO 4042:2022	Property class 70 EN ISO 3506-1:2020; 1.4401; 1.4404; 1.4578; 1.4571; 1.4439; 1.4362; EN 10088-1:2023	Property class 70 EN ISO 3506-1:2020 1.4565; 1.4529; EN 10088-1:2023
6	Commercial standard screw or Anchor rod / Threaded rod for fischer RG M I / fischer FIS IG	Property class 5.8 or 8.8; EN ISO 898-1:2013 zinc plated ≥ 5 µm, EN ISO 4042:2022 $A_5 > 8 \%$ fracture elongation	Property class 70 EN ISO 3506-1:2020 1.4401; 1.4404; 1.4578; 1.4571; 1.4439; 1.4362; EN 10088-1:2023 $A_5 > 8 \%$ fracture elongation	Property class 70 EN ISO 3506-1:2020 1.4565; 1.4529; EN 10088-1:2023 $A_5 > 8 \%$ fracture elongation
7	fischer filling disc similar to DIN 6319-G	zinc plated ≥ 5 µm, EN ISO 4042:2022 or hot dip galvanised ≥ 40 µm EN ISO 10684:2004+AC:2009	1.4401; 1.4404; 1.4578; 1.4571; 1.4439; 1.4362; EN 10088-1:2023	1.4565; 1.4529; EN 10088-1:2023
8	Rebar	EN 1992-1-1:2004 and AC:2010, Annex C Bars and de-coiled rods, class B or C with $f_{yk}$ and k according to NDP or NCI according to EN 1992-1-1/NA; $f_{uk} = f_{tk} = k \cdot f_{yk}$ ( $A_5 > 12 \%$ ) <sup>1)</sup>		
9	fischer FRA	Rebar part: Bars and de-coiled rods class B or C with $f_{yk}$ and k according to NDP or NCI of EN 1992-1-1:2004+AC:2010 $f_{uk} = f_{tk} = k \cdot f_{yk}$ ( $A_5 > 8 \%$ ) Threaded part: Property class 80 EN ISO 3506-1:2020	1.4401, 1.4404, 1.4571, 1.4578, 1.4439, 1.4362, 1.4062 acc. to EN 10088-1:2023 Corrosion resistance class CRC III acc. to EN 1993-1-4:2006+A1:2015 1.4565; 1.4529 acc. to EN 10088-1:2023 Corrosion resistance class CRC V acc. to EN 1993-1-4:2006+A1:2015 $f_{uk} \leq 1000 \text{ N/mm}^2$ ; fracture elongation $A_5 > 8 \%$	

<sup>1)</sup> Fracture elongation  $A_5 > 8 \%$ , for applications without requirements for seismic performance category C1 or C2.

### fischer Injection System FIS EM PLUS

**Product description**  
Materials, metric sizes

**Annex A6**  
Appendix 8 / 28

**Table A7.1: Materials, fractional sizes**

Part	Designation	Material	
1	Injection cartridge	Mortar, hardener, filler	
	Steel grade	Steel zinc plated (zp, hdg)	Stainless steel R Corrosion resistance class CRC III acc. to EN 1993-1-4:2006+A1:2015
2	Fractional Threaded rod	ASTM F568M-07, Class 5.8 $f_{uk} = 500 \text{ N/mm}^2$ , $A_5 > 12 \%$ fracture elongation <sup>1)</sup> ; zinc plated $\geq 5 \mu\text{m}$ , EN ISO 4042:2022 ASTM F1554-20, Grade 36 $f_{uk} = 400 \text{ N/mm}^2$ , $A_5 > 12 \%$ fracture elongation <sup>1)</sup> ; zinc plated $\geq 5 \mu\text{m}$ , EN ISO 4042:2022 ASTM F1554-20, Grade 55 $f_{uk} = 517 \text{ N/mm}^2$ , $A_5 > 12 \%$ fracture elongation <sup>1)</sup> ; zinc plated $\geq 5 \mu\text{m}$ ; EN ISO 4042:2022 ASTM F1554-20, Grade 105 $f_{uk} = 862 \text{ N/mm}^2$ , $A_5 > 12 \%$ fracture elongation <sup>1)</sup> ; zinc plated $\geq 5 \mu\text{m}$ , EN ISO 4042:2022 ASTM A193/A193M-23, Grade B7 $f_{uk} = 862 \text{ N/mm}^2$ , $A_5 > 12 \%$ fracture elongation <sup>1)</sup> ; zinc plated $\geq 5 \mu\text{m}$ , EN ISO 4042:2022	ASTM F593M-13ae1, Alloy Group 2 $f_{uk} = 689 \text{ N/mm}^2$ , $f_{uk} \leq 5/8 \text{ in. (CW1)}$ $f_{uk} = 586 \text{ N/mm}^2$ , $f_{uk} \geq 3/4 \text{ in. (CW2)}$ $A_5 > 12 \%$ fracture elongation <sup>1)</sup> ; ASTM A193/A193M-23, Grade B8M, Class 1 $f_{uk} = 517 \text{ N/mm}^2$ , $A_5 > 12 \%$ fracture elongation <sup>1)</sup> ; ASTM A193/A193M-23, Grade B8M, Class 2B $f_{uk} = 655 \text{ N/mm}^2$ , $A_5 > 12 \%$ fracture elongation <sup>1)</sup>
3	Washer	ASTM F436/F436M-19 zinc plated $\geq 5 \mu\text{m}$ , EN ISO 4042:2022 or hot dip galvanised $\geq 40 \mu\text{m}$ EN ISO 10684:2004+AC:2009	ASTM A240/A240M-23a Type 316
4	Hexagon nut	ASTM A563/A563M-23, Grade DH or ASTM A194/A194M-23, Grade 2H for Threaded rod material ASTM F568M-07, Class 5.8 or ASTM F1554-20, Grade 36, 55, 105  ASTM A194/A194M-23, Grade 2H / 4 / 7 for Threaded rod material ASTM A193/A193M-23, B7 zinc plated $\geq 5 \mu\text{m}$ , EN ISO 4042:2022	ASTM F593M-13ae1, Alloy Group 2 for Threaded rod material: ASTM F593M-13ae1, Alloy Group 2 /  ASTM A193/A193M-23, Grade 8M for Threaded rod material: ASTM A193/A193M-23, Grade B8M, Class 1 or ASTM A193/A193M-23, Grade B8M, Class 2B
5	fischer RG M I	Property class 5.8 EN ISO 898-1:2013 zinc plated $\geq 5 \mu\text{m}$ , ISO 4042:2022	Property class 70; EN ISO 3506-1:2020; 1.4401; 1.4404; 1.4578; 1.4571; 1.4439; 1.4362; EN 10088-1:2023
6	Commercial standard screw or Threaded rod for fischer RG M I	See Table A7.1, line 2, steel zinc plated, EN ISO 4042:2022	See Table A7.1, line 2, stainless steel R
7	fischer filling disc similar to DIN 6319-G	zinc plated $\geq 5 \mu\text{m}$ , EN ISO 4042:2022 or hot dip galvanised $\geq 40 \mu\text{m}$ EN ISO 10684:2004+AC:2009	1.4401; 1.4404; 1.4578; 1.4571; 1.4439; 1.4362; EN 10088-1:2023
8	Reinforcing bar	ASTM A615/A615M-22 (ASTM A767/A767M-19) Grade 40, $f_{uk} = 414 \text{ N/mm}^2$ , $f_{yk} = 276 \text{ N/mm}^2$ , $A_5 > 12 \%$ fracture elongation <sup>1)</sup> Grade 60, $f_{uk} = 621 \text{ N/mm}^2$ , $f_{yk} = 414 \text{ N/mm}^2$ , $A_5 > 12 \%$ fracture elongation <sup>1)</sup> Grade 75, $f_{uk} = 689 \text{ N/mm}^2$ , $f_{yk} = 517 \text{ N/mm}^2$ , $A_5 > 12 \%$ fracture elongation <sup>1)</sup> Grade 60, $f_{uk} = 552 \text{ N/mm}^2$ , $f_{yk} = 414 \text{ N/mm}^2$ , $A_5 > 12 \%$ fracture elongation <sup>1)</sup> Grade 80, $f_{uk} = 689 \text{ N/mm}^2$ , $f_{yk} = 552 \text{ N/mm}^2$ , $A_5 > 12 \%$ fracture elongation <sup>1)</sup>	

<sup>1)</sup> Fracture elongation  $A_5 > 8 \%$ , for applications without requirements for seismic performance category C1 or C2.






### fischer Injection System FIS EM PLUS

**Product description**  
Materials, fractional sizes

**Annex A7**  
Appendix 9 / 28

# Specifications of intended use part 1

## Table B1.1: Overview use categories

Anchorages subject to		FIS EM Plus with ...				
		Anchor rod / Threaded rod	fischer RG M I	fischer FIS IG	Reinforcing bar	fischer FRA
						
Hammer drilling with standard drill bit		all sizes				
Hammer drilling with hollow drill bit		Nominal drill bit diameter ( $d_0$ ) 12 mm to 35 mm; 7/16" to 1 3/8" (fischer "FHD", Heller "Duster Expert"; Bosch „Speed Clean“; Hilti "TE-CD, TE-YD", DreBo „D-Plus“, DreBo „D-Max“)				
Diamond drilling		all sizes				
Use category	I1 dry or wet concrete	all sizes				
	I2 water filled hole	all sizes (not permitted for diamond drilling in combination with cracked concrete and working life 100 years)				
Installation direction		D3 (downward and horizontal and upwards (e.g. overhead) installation)				
Installation temperature		$T_{i,min} = -5\text{ °C}$ to $T_{i,max} = +40\text{ °C}$ for the standard variation of temperature after installation				
In-service temperature	Temperature range I	-40 °C to +40 °C	(max. short term temperature +40 °C; max. long term temperature +24 °C)			
	Temperature range II	-40 °C to +60 °C	(max. short term temperature +60 °C; max. long term temperature +35 °C)			
	Temperature range III	-40 °C to +72 °C	(max. short term temperature +72 °C; max. long term temperature +50 °C)			

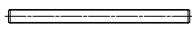




**fischer Injection System FIS EM PLUS**

**Intended use**  
Specifications part 1

**Annex B1**  
Appendix 10 / 28

## Specifications of intended use part 2

**Table B2.1: Overview performance categories and annexes**

		FIS EM Plus with ...									
		Anchor rod / Threaded rod	fischer RG M I	fischer FIS IG	Reinforcing bar	fischer FRA					
											
Performance category		Annexes									
<b>Static and quasi static load,</b> in uncracked / cracked concrete with or without steel fibres	Metric sizes	M8 to M30	C1, C5, C6, C7, C20	M8 to M20	C2, C5, C8, C9, C20	M8 to M20	C3, C5, C10, C11, C20	φ8 to φ40	C4, C5, C9, C12, C13, C14, C15, C16, C21	M12 to M24	C4, C5, C17, C18, C19, C21
	Fractional sizes	3/8" to 1 1/8"	C22, C23, C27, C28, C29, C30, C31, C38	3/8" to 3/4"	C24, C25, C27, C32, C33, C34, C38	-1)	-1)	#3 to #10	C26, C27, C35, C36, C37, C39	-1)	-1)
<b>Seismic performance category</b> in concrete with or without steel fibres	C1	M10 to M30	C40, C41, C42, C43, C45	-1)	-1)	-1)	-1)	φ10 to φ32	C41, C42, C41, C44	-1)	-1)
		3/8" to 1 1/8"	C46, C48, C49					#3 to #10	C47, C48, C50		
(only hammer drilling with standard / hollow drill bits)	C2	M12 M16 M20 M24	C41 C42 C45	-1)	-1)	-1)	-1)	-1)	-1)	-1)	-1)
<b>Resistance to fire</b> in concrete with or without steel fibres (only hammer drilling with standard / hollow drill bits)		C51, C52, C53, C54	-1)	-1)	-1)	-1)	-1)	-1)	-1)	-1)	-1)

<sup>1)</sup> no performance assessed.

**fischer Injection System FIS EM PLUS**

**Intended use**  
Specifications part 2

**Annex B2**  
Appendix 11 / 28

## Specifications of intended use part 3

### Base materials:

- Compacted reinforced or unreinforced normal weight concrete of strength classes C20/25 to C50/60 according to EN 206:2013+A2:2021.
- Steel fibre reinforced concrete according to EN 206:2013+A2:2021 with steel fibers in accordance to EN 14889-1:2006, clause 5, group I, with a maximum fibre content of 80 kg/m<sup>3</sup>.

### Use conditions (Environmental conditions):

- Fastener intended for use in structures subject to dry, internal conditions (all materials).
- For all other conditions according to EN 1993-1-4:2006+A1:2015 corresponding to corrosion resistance classes to Annex A6 table A6.1 (metric sizes) or Annex A7 table A7.1 (fractional sizes).

### Design:

- Fastenings are designed in accordance with: EN 1992-4:2018 and TR 082 from June 2023.
- Fastenings in steel fibre reinforced concrete can be designed according to EN 1992-4:2018. The performance for normal weight concrete of strength classes C20/25 to C50/60 without fibres applies.
- The structural design is conducted under responsibility of a designer experienced in the field of anchorages and concrete works.
- Verifiable calculation notes and drawings are to be prepared taking account of the loads to be anchored. The position of the fastener is indicated on the design drawings (e. g. position of the fastener relative to reinforcement or to supports, etc.).

### Installation:

- Fastener installation is to be carried out by appropriately qualified personnel and under the supervision of the person responsible for technical matters of the site.
- Fastening depth should be marked and adhered to installation.
- Overhead installation is allowed (necessary equipment see installation instruction).

**fischer Injection System FIS EM PLUS**

**Intended use**  
Specifications part 3

**Annex B3**  
Appendix 12 / 28

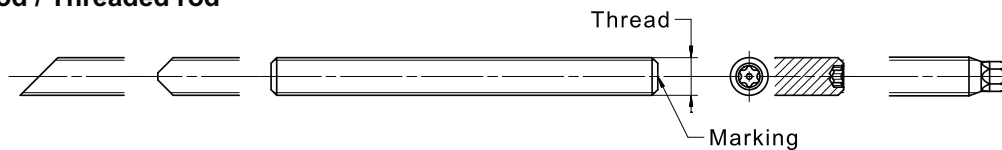
**Table B4.1: Installation parameters for metric Anchor rods / Threaded rods**

Anchor rods / Threaded rods		M8	M10	M12	M14	M16	M20	M22	M24	M27	M30
Nominal drill hole diameter	$d_0$	10	12	14	16	18	22 <sup>1)</sup> 24	25	28	30	35
Drill hole depth	$h_0$ <sup>2)</sup>	$h_0 \geq h_{ef}$									
Effective embedment depth	$h_{ef, min}$	40	40	48	56	64	80	88	96	108	120
Minimum spacing	$s_{min}$	160	200	240	280	320	400	440	480	540	600
Minimum edge distance	$c_{min}$	according to Annex B6									
Diameter of the clearance hole of the fixture	$d_f$	according to Annex B6									
pre-positioned installation	$d_f$	9	12	14	16	18	22	24	26	30	33
push through installation	$d_f$	12	14	16	18	20	26	28	30	33	40
Minimum thickness of concrete member	$h_{min}$ <sup>2)</sup>	$h_{ef} + 30 (\geq 80)$			$h_{ef} + 2d_0$						
Maximum installation torque	$\max T_{inst}$ [Nm]	10	20	40	50	60	120	135	150	200	300

<sup>1)</sup> Alternative drill hole diameter  $d_0 = 22$  mm permissible (does not apply when using centering clips DD-S / DD-E).

<sup>2)</sup> When using centering clips DD-S / DD-E, observe the deviating specifications according to Table B15.3.

**Anchor rod / Threaded rod**



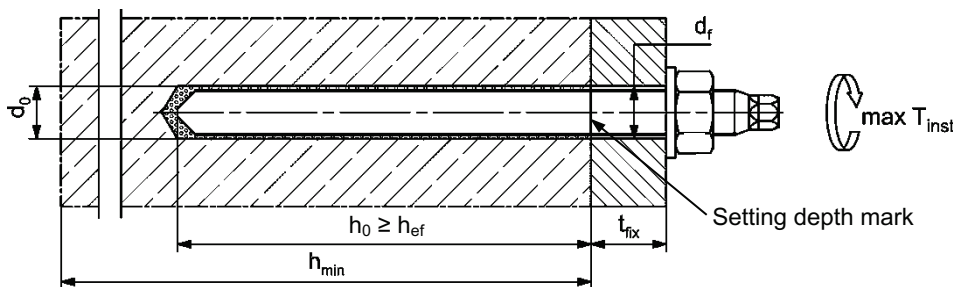
**Marking (on random place) anchor rod:**

Steel zinc plated PC <sup>1)</sup> 8.8	• or +	Steel hot-dip PC <sup>1)</sup> 8.8	•
High corrosion resistant steel HCR PC <sup>1)</sup> 50	•	High corrosion resistant steel HCR PC <sup>1)</sup> 70	-
High corrosion resistant steel HCR PC <sup>1)</sup> 80	(	Stainless steel R PC <sup>1)</sup> 70	~
Stainless steel R PC <sup>1)</sup> 80	*		

Alternatively: Colour coding according to DIN 976-1:2016

<sup>1)</sup> PC = property class

**Installation conditions:**



**Threaded rods, washers and hexagon nuts may also be used if the following requirements are fulfilled:**

- Materials, dimensions and mechanical properties according to Annex A6, Table A6.1.
- Inspection certificate 3.1 according to EN 10204:2004, the documents shall be stored.
- Setting depth is marked.
- Steel load-bearing capacities for hot-dip galvanised parts are only valid if the threaded rod and nut are correctly paired. The strength class of the nut must be one strength class higher than that of the threaded rod ( $\geq M12$  in combination with tolerance class 6AX in accordance with EN ISO 10684:2004+AC:2009 two strength classes higher). The pairing of undersized threaded rods (additional designation U according to EN ISO 10684) with oversized nuts (additional designation Z or X according to EN ISO 10684) is not permitted under any circumstances.

Figures not to scale

**fischer Injection System FIS EM PLUS**

**Intended use**

Installation parameters Anchor rods / Threaded rods (metric size)

**Annex B4**

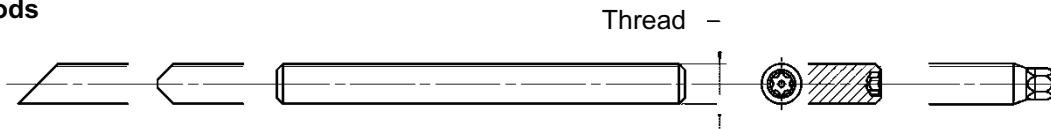
Appendix 13 / 28

**Table B5.1: Installation parameters for fractional Threaded rods**

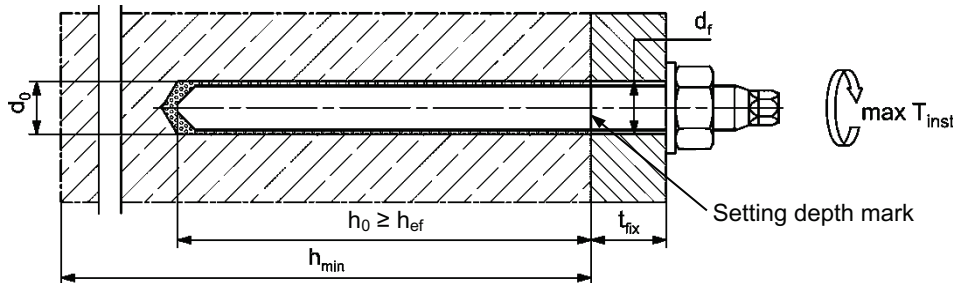
Threaded rods			3/8"	1/2"	5/8"	3/4"	7/8"	1"	1 1/8"	
Nominal drill hole diameter	$d_0$	[mm]	11,1	14,3	19,1	22,2	25,4	28,6	31,8	
		[inch]	7/16	9/16	3/4	7/8	1	1 1/8	1 1/4	
Drill hole depth	$h_0$	[mm]	$h_0 \geq h_{ef}$							
Effective embedment depth	$h_{ef, min}$		40,0	51,0	64,0	76,5	89,0	102,0	178,0	
	$h_{ef, max}$		191,0	254,0	318,0	381,0	445,0	508,0	572,0	
Minimum spacing	$s_{min}$		according to Annex B7							
Minimum edge distance	$c_{min}$		according to Annex B7							
Diameter of the clearance hole of the fixture	pre-positioned installation $d_f$		8,9	11,9	14,0	16,0	18,0	22,1	23,9	
	push through installation $d_f$		11,9	14,0	16,0	18,0	20,1	25,9	27,9	
Minimum thickness of concrete member	$h_{min}$		$h_{ef} + 30 (\geq 80)$		$h_{ef} + 2d_0$					
Maximum installation torque	$\max T_{inst}$		[Nm]	18	41	60	107	136	173	180

1) Both drill hole diameters can be used.

**Threaded rods**



**Installation conditions:**



**Additional requirements for Threaded rods, washers and hexagon nuts:**

- Materials, dimensions and mechanical properties according to **Annex A7, Table A7.1**.
- Inspection certificate 3.1 according to EN 10204:2004, the documents shall be stored.
- Setting depth is marked.
- Steel load-bearing capacities for hot-dip galvanised parts are only valid if the threaded rod and nut are correctly paired. The strength class of the nut must be one strength class higher than that of the threaded rod ( $\geq M12$  in combination with tolerance class 6AX in accordance with EN ISO 10684:2004+AC:2009 two strength classes higher). The pairing of undersized threaded rods (additional designation U according to EN ISO 10684) with oversized nuts (additional designation Z or X according to EN ISO 10684) is not permitted under any circumstances.

Figures not to scale

**fischer Injection System FIS EM PLUS**

**Intended use**  
Installation parameters Threaded rods (fractional size)

**Annex B5**  
Appendix 14 / 28

**Table B6.1: Minimum spacing and minimum edge distance for metric Anchor rods / Threaded rods, metric fischer FIS IG and metric reinforcing bars**

<b>Metric Anchor rods</b>		<b>M8</b>	<b>M10</b>	-	<b>M12</b>	<b>M14</b>	-	<b>M16</b>	-	-	<b>M20</b>	<b>M22</b>	-	
<b>Metric fischer FIS IG</b>		-	-	<b>M8</b>	-	-	<b>M10</b>	-	-	<b>M12</b>	-	-	<b>M16</b>	
<b>Metric Reinforcing bars (nominal diameter)</b>	$\phi$	<b>8</b>	<b>10</b>	-	<b>12</b>	<b>14</b>	-	<b>16</b>	<b>18</b>	-	<b>20</b>	<b>22</b>	-	
<b>Minimum edge distance</b>														
Uncracked / cracked concrete	$c_{min}$	[mm]	40	45	45	45	45	50	50	55	55	55	55	60
Minimum spacing	$s_{min}$		according to Annex B8											
<b>Minimum spacing</b>														
Uncracked / cracked concrete	$s_{min}$	[mm]	40	45	55	55	60	65	65	85	85	85	95	105
Minimum edge distance	$c_{min}$		according to Annex B8											
<b>Required projecting area</b>														
Uncracked concrete	$A_{sp,req}$	[1000 mm <sup>2</sup> ]	8,0	13,0	5,5	21,5	23,0	8,0	24,0	38,5	13,0	38,5	39,5	21,5
Cracked concrete		mm <sup>2</sup>	6,5	10,0	4,5	16,5	17,5	6,5	18,5	29,5	10,0	29,5	30,0	16,5

<b>Metric Anchor rods</b>		<b>M24</b>	-	-	<b>M27</b>	-	-	<b>M30</b>	-	-	-	-	-
<b>Metric fischer FIS IG</b>		-	-	-	-	-	<b>M20</b>	-	-	-	-	-	-
<b>Metric Reinforcing bars (nominal diameter)</b>	$\phi$	<b>24</b>	<b>25</b>	<b>26</b>	-	<b>28</b>	-	<b>30</b>	<b>32</b>	<b>34</b>	<b>36</b>	<b>40</b>	
<b>Minimum edge distance</b>													
Uncracked / cracked concrete	$c_{min}$	[mm]	60	75	75	75	80	80	80	120	120	135	175
Minimum spacing	$s_{min}$		according to Annex B8										
<b>Minimum spacing</b>													
Uncracked / cracked concrete	$s_{min}$	[mm]	105	120	120	120	140	140	140	160	160	160	160
Minimum edge distance	$c_{min}$		according to Annex B8										
<b>Required projecting area</b>													
Uncracked concrete	$A_{sp,req}$	[1000 mm <sup>2</sup> ]	40,0	47,5	47,5	47,5	64,0	26,0	64,0	64,0	64,0	64,0	64,0
Cracked concrete		mm <sup>2</sup>	30,5	36,5	36,5	36,5	49,0	20,0	49,0	49,0	49,0	49,0	49,0

**Splitting failure** for minimum edge distance and spacing in dependence of the effective embedment depth  $h_{ef}$ .

For the calculation of minimum spacing and minimum edge distance of anchors in combination with different embedment depths and thicknesses of concrete members the following equation shall be fulfilled:

$$A_{sp,req} < A_{sp,t}$$

$A_{sp,req}$  = required projecting area,  
 $A_{sp,t}$  = projecting area (according to **Annex B8**).

**fischer Injection System FIS EM PLUS**

**Intended use**

Minimum spacing and edge distance for Anchor rods / Threaded rods, fischer FIS IG and reinforcing bars

**Annex B6**

Appendix 15 / 28

**Table B7.1: Minimum spacing and minimum edge distance for fractional Threaded rods and reinforcing bars**

Fractional Threaded rods		3/8"	1/2"	5/8"	3/4"	7/8"	1"	1 1/8"	-	
Fractional Reinforcing bars		#3	#4	#5	#6	#7	#8	#9	#10	
<b>Minimum edge distance</b>										
Uncracked / cracked concrete	$c_{min}$	[mm]	45	45	50	55	60	75	80	120
Minimum spacing	$s_{min}$		according to Annex B8							
<b>Minimum spacing</b>										
Uncracked / cracked concrete	$s_{min}$	[mm]	45	60	65	85	105	120	140	160
Minimum edge distance	$c_{min}$		according to Annex B8							
<b>Required projecting area</b>										
Uncracked concrete	$A_{sp,req}$	[1000	12,5	21,0	24,5	36,0	39,5	43,5	40,5	64,5
Cracked concrete		mm <sup>2</sup> ]	9,5	16,0	18,5	27,5	30,0	33,5	31,0	49,5

**Splitting failure** for minimum edge distance and spacing in dependence of the effective embedment depth  $h_{ef}$ .

For the calculation of minimum spacing and minimum edge distance of anchors in combination with different embedment depths and thicknesses of concrete members the following equation shall be fulfilled:

$$A_{sp,req} < A_{sp,t}$$

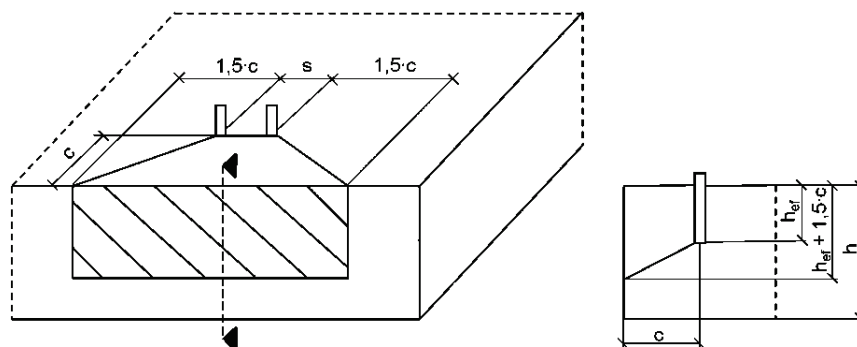
$A_{sp,req}$  = required projecting area,  
 $A_{sp,t}$  = projecting area (according to **Annex B8**).

**fischer Injection System FIS EM PLUS**

**Intended use**  
 Minimum spacing and edge distance for Threaded rods and reinforcing bars

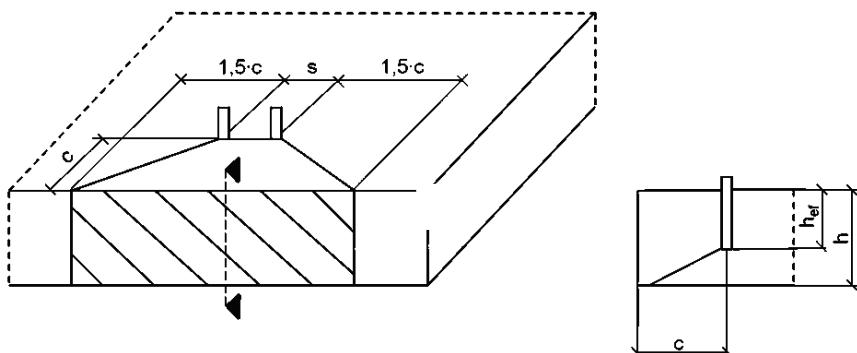
**Annex B7**  
 Appendix 16 / 28

**Table B8.1: Projecting area  $A_{sp,t}$  with concrete member thickness**  
 $h > h_{ef} + 1,5 \cdot c$  and  $h \geq h_{min}$



Single fastener		$A_{sp,t} = (3 \cdot c) \cdot (h_{ef} + 1,5 \cdot c)$	[mm <sup>2</sup> ]	with $c \geq c_{min}$
Group of fastener with	$s > 3 \cdot c$	$A_{sp,t} = (6 \cdot c) \cdot (h_{ef} + 1,5 \cdot c)$	[mm <sup>2</sup> ]	
Group of fastener with	$s \leq 3 \cdot c$	$A_{sp,t} = (3 \cdot c + s) \cdot (h_{ef} + 1,5 \cdot c)$	[mm <sup>2</sup> ]	

**Table B8.2: Projecting area  $A_{sp,t}$  with concrete member thickness**  
 $h \leq h_{ef} + 1,5 \cdot c$  and  $h \geq h_{min}$



Single anchor		$A_{sp,t} = 3 \cdot c \cdot \text{existing } h$	[mm <sup>2</sup> ]	with $c \geq c_{min}$
Group of fastener with	$s > 3 \cdot c$	$A_{sp,t} = 6 \cdot c \cdot \text{existing } h$	[mm <sup>2</sup> ]	
Group of fastener with	$s \leq 3 \cdot c$	$A_{sp,t} = (3 \cdot c + s) \cdot \text{existing } h$	[mm <sup>2</sup> ]	

Edge distance and axial spacing shall be rounded up to at least 5 mm.

Figures not to scale

**fischer Injection System FIS EM PLUS**

**Intended use**

Minimum thickness of concrete member for Anchor rods / Threaded rods, fischer FIS IG and reinforcing bars; minimum spacing and edge distance

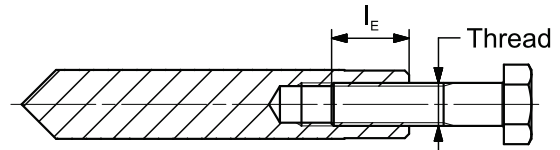
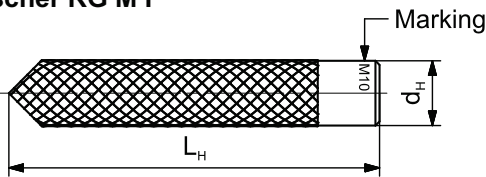
**Annex B8**

Appendix 17 / 28

**Table B9.1: Installation parameters for metric fischer RG M I**

fischer RG M I		Thread	M8	M10	M12	M16	M20
Diameter of anchor	$d_{nom} = d_H$	[mm]	12	15,7	18	22	28
Nominal drill hole diameter	$d_0$		14	18	20	24	32
Drill hole depth	$h_0$		$h_0 \geq h_{ef} = L_H$				
Effective embedment depth ( $h_{ef} = L_H$ )	$h_{ef}$		90	90	125	160	200
Minimum spacing and minimum edge distance	$S_{min} = C_{min}$		55	65	75	95	125
Diameter of clearance hole in the fixture	$d_f$		9	12	14	18	22
Minimum thickness of concrete member	$h_{min}$		120	125	165	205	260
Maximum screw-in depth	$l_{E,max}$		18	23	26	35	45
Minimum screw-in depth	$l_{E,min}$	8	10	12	16	20	
Maximum installation torque	$\max T_{inst}$	[Nm]	10	20	40	80	120

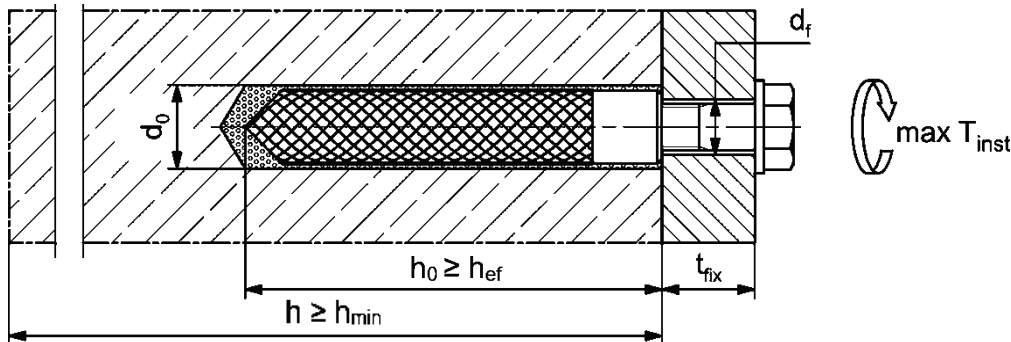
**fischer RG M I**



**Marking:** Anchor size e. g.: **M10**  
 Stainless steel → additional **R**; e.g.: **M10 R**  
 High corrosion resistant steel → additional **HCR**; e.g.: **M10 HCR**

Retaining screw or threaded rods (including nut and washer) must comply with the appropriate material and strength class of **Annex A6, Table A6.1**.

**Installation conditions:**



Figures not to scale

**fischer Injection System FIS EM PLUS**

**Intended use**

Installation parameters internal threaded anchors RG M I (metric size)

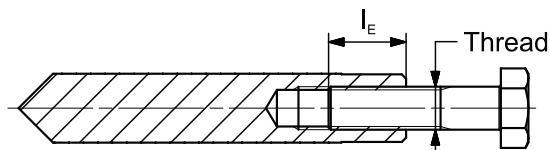
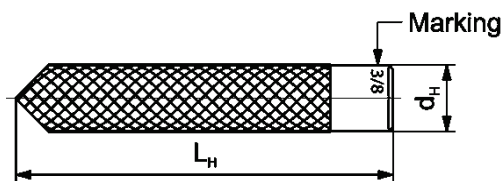
**Annex B9**

Appendix 18 / 28

**Table B10.1: Installation parameters for fractional fischer RG M I**

fischer RG M I		Thread	3/8"	1/2"	5/8"	3/4"
Diameter of anchor	$d_{nom} = d_H$	[mm]	15,7	18	22	28
Nominal drill hole diameter	$d_0$	[mm]	18	20	24	32
		[inch]	3/4	13/16	1	1 1/4
Drill hole depth	$h_0$	[mm]	$h_0 \geq h_{ef} = L_H$			
Effective embedment depth ( $h_{ef} = L_H$ )	$h_{ef}$		90	125	160	200
Minimum spacing and minimum edge distance	$s_{min} = c_{min}$		65	75	95	125
	$d_f$		12	14	18	22
Minimum thickness of concrete member	$h_{min}$		125	165	205	260
Maximum screw-in depth	$l_{E,max}$		23	26	35	45
Minimum screw-in depth	$l_{E,min}$		10	12	16	20
Maximum installation torque	$\max T_{inst}$		[Nm]	20	40	80

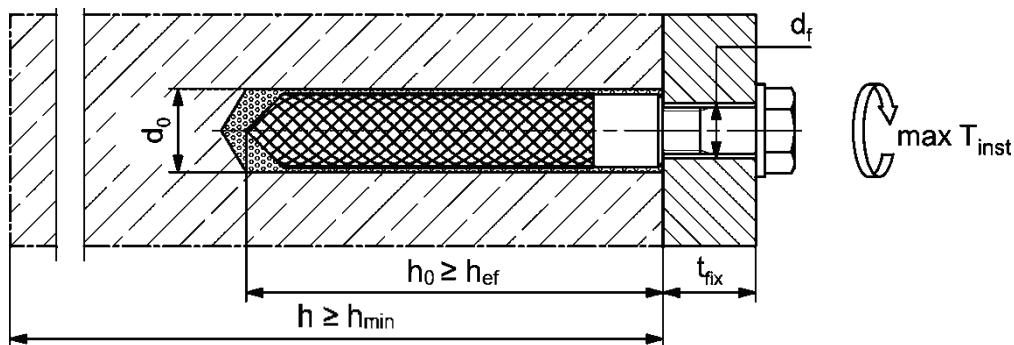
**fischer RG M I**



**Marking:** Anchor size e. g.: **M 3/8**  
Stainless steel → additional **R**; e.g.: **M 3/8 R**

Retaining screw or threaded rods (including nut and washer) must comply with the appropriate material and strength class of **Annex A7, Table A7.1**.

**Installation conditions:**



Figures not to scale

**fischer Injection System FIS EM PLUS**

**Intended use**  
Installation parameters internal threaded anchors RG M I (fractional size)

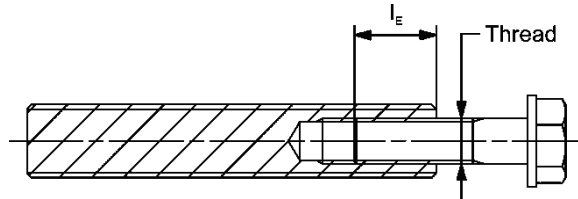
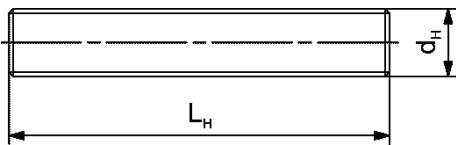
**Annex B10**  
Appendix 19 / 28

**Table B11.1: Installation parameters for metric fischer FIS IG**

fischer FIS IG		Thread	M8	M10	M12	M16	M20
Diameter of anchor	$d_{nom} = d_H$	[mm]	12	16	20	24	30
Nominal drill hole diameter	$d_0$		14	18	22 <sup>1)</sup> 24	28	35
Drill hole depth	$h_0$ <sup>2)</sup>		$h_0 \geq h_{ef} = L_H$				
Effective embedment depth ( $h_{ef} = L_H$ )	$h_{ef, min}$		48	64	80	96	120
	$h_{ef, max}$		240	320	400	480	600
Minimum spacing	$s_{min}$		according to Annex B6				
Minimum edge distance	$c_{min}$		according to Annex B6				
Diameter of clearance hole in the fixture	$d_f$		9	12	14	18	22
Minimum thickness of concrete member	$h_{min}$ <sup>2)</sup>		$h_{ef} + 30$ ( $\geq 80$ )	$h_{ef} + 2d_0$			
Maximum screw-in depth	$l_{E, max}$		20	25	30	40	50
Minimum screw-in depth	$l_{E, min}$	10	12	14	19	23	
Maximum installation torque	$\max T_{inst}$	[Nm]	10	20	40	80	120

<sup>1)</sup> Alternative drill hole diameter  $d_0 = 22$  mm permissible (does not apply when using centering clips DD-S / DD-E).  
<sup>2)</sup> When using centering clips DD-S / DD-E, observe the deviating specifications according to Table B15.3.

**fischer FIS IG**

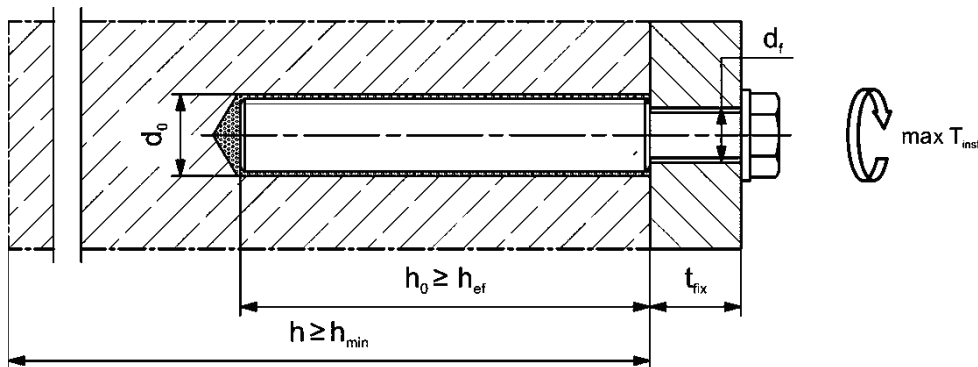


**Marking (on random place) anchor rod:**

High corrosion resistant steel HCR property class 70

Retaining screw or threaded rods (including nut and washer) must comply with the appropriate material and strength class of **Annex A6, Table A6.1**.

**Installation conditions:**



Figures not to scale

**fischer Injection System FIS EM PLUS**

**Intended use**  
 Installation parameters internal threaded anchors FIS IG (metric size)

**Table B12.1: Installation parameters for metric reinforcing bars**

Nominal diameter of the bar		$\phi$	8 <sup>1)</sup>		10 <sup>1)</sup>		12 <sup>1)</sup>		14	16	18	20	22	24	
Nominal drill hole diameter	$d_0$	[mm]	10	12	12	14	14	16	18	20	25	25	30	30	
Drill hole depth	$h_0$		$h_0 \geq h_{ef}$												
Effective embedment depth	$h_{ef,min}$		60	60	70	75	80	85	90	94	98				
	$h_{ef,max}$		160	200	240	280	320	360	400	440	480				
Minimum spacing	$s_{min}$		according to Annex B6												
Minimum edge distance	$c_{min}$		according to Annex B6												
Minimum thickness of concrete member	$h_{min}$		$h_{ef} + 30$					$h_{ef} + 2d_0$							

Nominal diameter of the bar		$\phi$	25	26	28	30	32	34	36	40	-	
Nominal drill hole diameter	$d_0$	[mm]	30	35	35	40	40	40	45	55	-	
Drill hole depth	$h_0$		$h_0 \geq h_{ef}$									
Effective embedment depth	$h_{ef,min}$		100	104	112	120	128	136	144	160	-	
	$h_{ef,max}$		500	520	560	600	640	680	720	800	-	
Minimum spacing	$s_{min}$		according to Annex B6									
Minimum edge distance	$c_{min}$		according to Annex B6									
Minimum thickness of concrete member	$h_{min}$		$h_{ef} + 2d_0$									

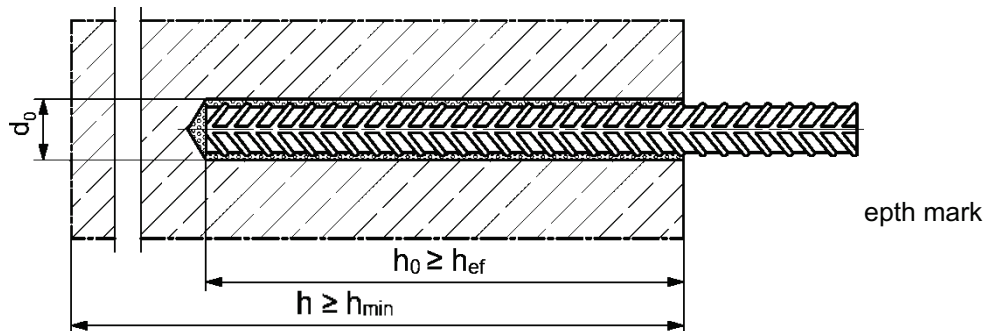
1) Both drill hole diameters can be used.

**Reinforcing bar**



- The minimum value of related rib area  $f_{R,min}$  must fulfil the requirements of EN 1992-1-1:2004+AC:2010.
- The rib height must be within the range:  $0,05 \cdot \phi \leq h_{rib} \leq 0,07 \cdot \phi$   
( $\phi$  = Nominal diameter of the bar,  $h_{rib}$  = rib height).

**Installation conditions:**



Figures not to scale

**fischer Injection System FIS EM PLUS**

**Intended use**  
Installation parameters reinforcing bars (metric size)

**Annex B12**  
Appendix 21 / 28

**Table B13.1: Installation parameters for fractional reinforcing bars**

Rebar size		#3	#4	#5	#6	#7	#8	#9	#10	
Nominal drill hole diameter	$d_0$	[mm]	12,7	15,9	19,1	22,2	28,6	31,8	34,9	38,1
		[inch]	1/2	5/8	3/4	7/8	1 1/8	1 1/4	1 3/8	1 1/2
Drill hole depth	$h_0$	$h_0 \geq h_{ef}$								
Effective embedment depth	$h_{ef,min}$	60	70	79	89	89	102	114	127	
	$h_{ef,max}$	191	254	318	381	445	508	572	635	
Minimum spacing	$s_{min}$	according to Annex B7								
Minimum edge distance	$c_{min}$	according to Annex B7								
Minimum thickness of concrete member	$h_{min}$	$h_{ef} + 30$		$h_{ef} + 2d_0$						

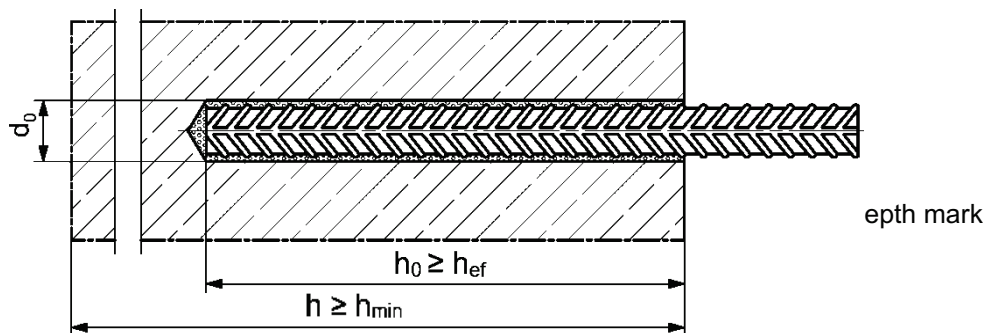
**Reinforcing bar**



Reinforcing bars, acc. to ASTM A615/A615M-22 (ASTM A767/A767M-19).

Materials, dimensions, and mechanical properties according to **Annex A7, Table A7.1**.

**Installation conditions:**



Figures not to scale

**fischer Injection System FIS EM PLUS**

**Intended use**  
Installation parameters reinforcing bars (fractional size)

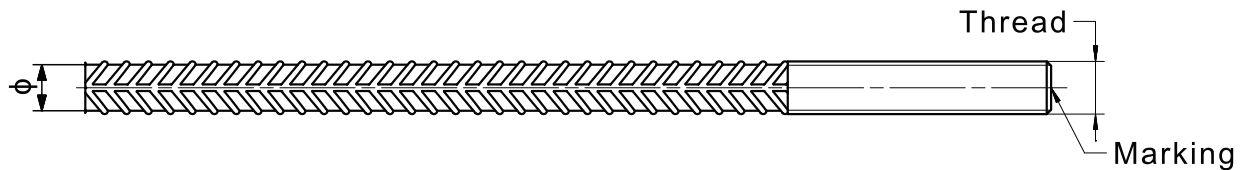
**Annex B13**  
Appendix 22 / 28

**Table B14.1: Installation parameters for metric fischer FRA**

fischer FRA		Thread	M12 <sup>1)</sup>	M16	M20	M24	
Nominal diameter of the bar	$\phi$	[mm]	12	16	20	25	
Nominal drill hole diameter	$d_0$		14	16	20	25	30
Drill hole depth	$h_0$		$h_{ef} + l_e = h_{nom}$				
Effective embedment depth	$h_{ef,min}$		70	80	90	96	
	$h_{ef,max}$		140	220	300	380	
Distance concrete surface to welded joint	$l_e$		100				
Minimum spacing and minimum edge distance	$s_{min}$		55	65	85	105	
	$c_{min}$						
Diameter of clearance hole in the fixture	pre-positioned anchorage $\leq d_f$		14	18	22	26	
	push through anchorage $\leq d_f$		18	22	26	32	
Minimum thickness of concrete member	$h_{min}$	$h_0 + 30$	$h_0 + 2d_0$				
Maximum installation torque	$\max T_{inst}$	[Nm]	40	60	120	150	

1) Both drill hole diameters can be used.

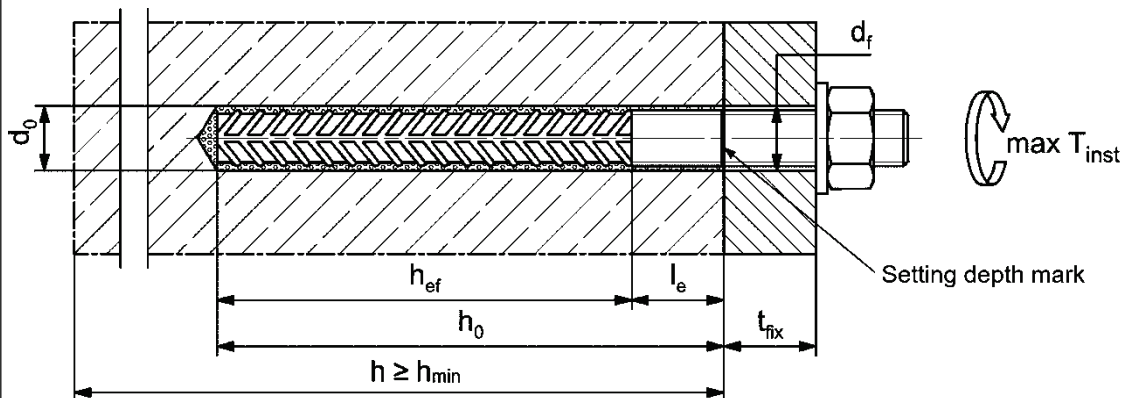
**fischer FRA**



Marking frontal e.g.:

- FRA (for stainless steel R)
- FRA HCR (for high corrosion resistant steel HCR)

**Installation conditions:**



Figures not to scale

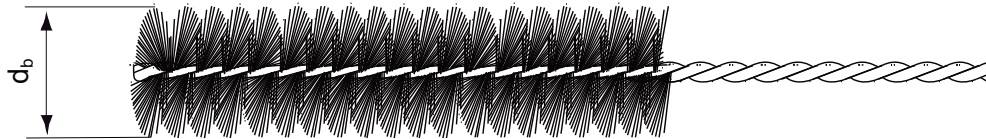
**fischer Injection System FIS EM PLUS**

**Intended use**  
Installation parameters fischer FRA (metric size)

**Annex B14**  
Appendix 23 / 28

**Table B15.1:** Parameters of the **cleaning brush BS / BSB** (steel brush with steel bristles)  
The size of the cleaning brush refers to the drill hole diameter.

Nominal drill hole diameter $d_0$	[mm]	10	12	14	16	18	20	22	24	25	28	30	32	35	40	45	55
	[inch]	-	7/16	1/2	5/8	3/4	13/16		1	1 1/8	1 1/4	1 3/8	1 1/2	-	-	-	-
Steel brush diameter BS	$d_b$ [mm]	11	14	16	20		25	26	27	30		40		-	-	-	-
Steel brush diameter BSB	$d_b$ [mm]	-	-	-	-	-	-	-	-	-	-	-	-	-	42	47	58



**Table B15.2:** Conditions for use static mixer without an extension tube

Nominal drill hole diameter $d_0$	[mm]	10	12	14	16	18	20	22	24	25	28	30	32	35	40	45	55
	[inch]	-	7/16	1/2	5/8	3/4	13/16	-	1	-	1 1/8	1 1/4		1 3/8	1 1/2	-	-
Drill hole depth $h_0$ by using	FIS MR Plus [mm]	≤90	≤120	≤140	≤150	≤160	≤170	≤190	≤210								
	FIS UMR [mm]	-	≤90			≤260			≤280								

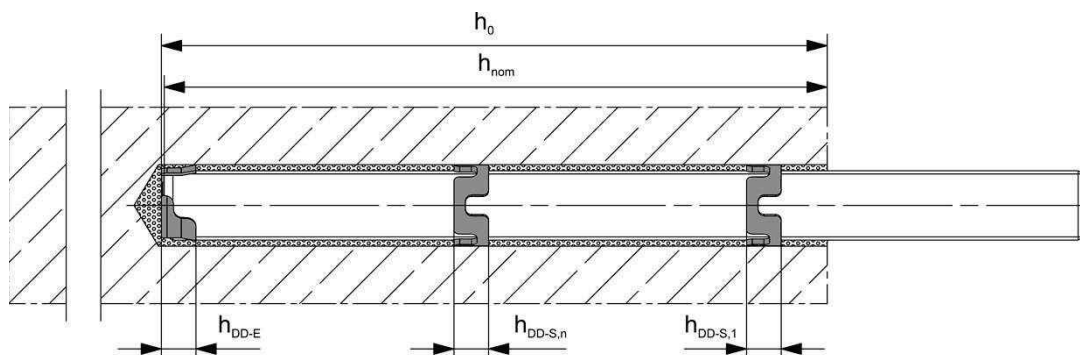
**Table B15.3:** Parameters of the **fischer centering clip DD-S / DD-E**

<b>Anchor rods / Threaded rods</b>		<b>M12</b>	<b>M16</b>	<b>M20</b>	<b>M24</b>	<b>M27</b>	<b>M30</b>
<b>fischer FIS IG</b>		<b>M8</b>	<b>M10</b>	<b>M12</b>	<b>M16</b>	-	<b>M20</b>
<b>fischer centering clip DD-S / DD-E</b>		<b>M12</b>	<b>M16</b>	<b>M20</b>	<b>M24</b>	<b>M27</b>	<b>M30</b>
fischer centering clip DD-S	$h_{DD-S}$ [mm]	6,5	8,0	9,0	10,0	10,0	10,0
fischer centering clip DD-E	$h_{DD-E}$ [mm]	12,0	13,5	18,0	19,0	19,0	19,0
Drill hole depth	$h_0$ [mm]	$h_0 \geq h_{nom} + 3 \text{ mm}$					
Minimum thickness of concrete member	$h_{min}$ [mm]	$h_{nom} + 30$ ( $\geq 80$ )		$h_{nom} + 2d_0$			

The uppermost DD-S clip should be positioned approx. 5 - 10 mm below the concrete surface.  
The effective embedment depth  $h_{ef}$  is calculated as follows when using the DD-S / DD-E clips.

$$h_{ef} = h_{nom} - h_{DD-E} - n \cdot h_{DD-S}$$

$n$  = number of DD-S clips used



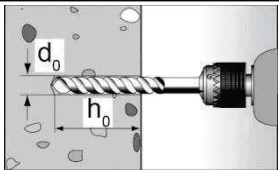
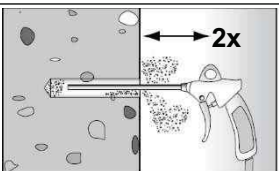
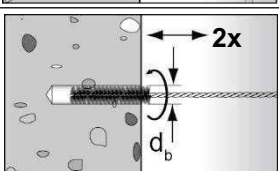
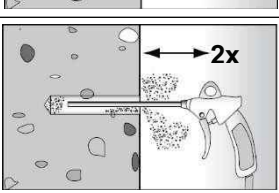
Figures not to scale

**fischer Injection System FIS EM PLUS**

**Intended use**  
Cleaning brush (steel brush)  
fischer centering clip DD-S / DD-E


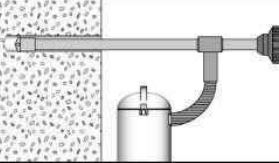
## Installation instructions part 1

### Drilling and cleaning the hole (hammer drilling with standard drill bit)

1		Drill the hole. Nominal drill hole diameter $d_0$ and drill hole depth $h_0$ see <b>Tables B4.1, B5.1, B9.1, B10.1, B11.1, B12.1, B13.1, B14.1.</b>
2		Cleaning the drill hole: Blow out the drill hole twice, with oil-free compressed air ( $p \geq 6$ bar).
3		Brush the drill hole twice. For drill hole diameter $\geq 30$ mm use a power drill. For deep holes use an extension. Corresponding brushes see <b>Table B15.1.</b>
4		Cleaning the drill hole: Blow out the drill hole twice, with oil-free compressed air ( $p \geq 6$ bar).

Go to step 6

### Drilling and cleaning the hole (hammer drilling with hollow drill bit)

1		Check a suitable hollow drill (see <b>Table B1.1</b> ) for correct operation of the dust extraction.
2		Use a suitable dust extraction system, e. g. fischer FVC 35 M or a comparable dust extraction system with equivalent performance data.  Drill the hole with hollow drill bit. The dust extraction system has to extract the drill dust nonstop during the drilling process and must be adjusted to maximum power. Nominal drill hole diameter $d_0$ and drill hole depth $h_0$ see <b>Tables B4.1, B5.1, B9.1, B10.1, B11.1, B12.1, B13.1, B14.1.</b>

Go to step 6

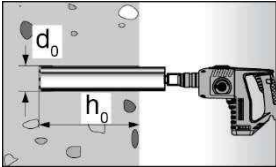
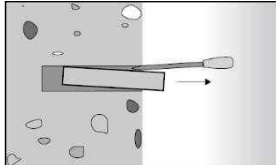
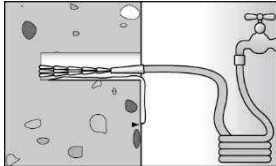
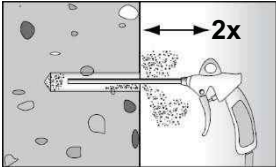
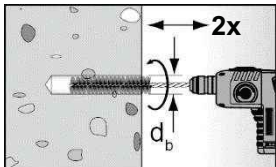
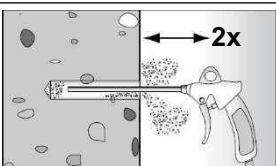
**fischer Injection System FIS EM PLUS**

**Intended use**  
Installation instructions part 1

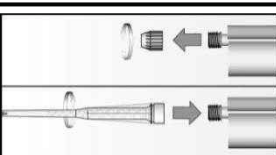

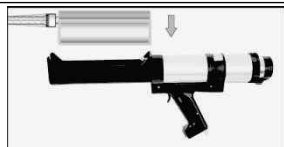
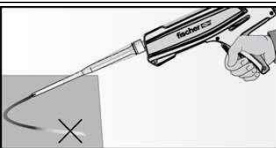
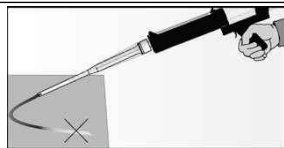
**Annex B16**  
Appendix 25 / 28

## Installation instructions part 2

### Drilling and cleaning the hole (wet drilling with diamond drill bit)

1		<p>Drill the hole. Drill hole diameter <math>d_0</math> and nominal drill hole depth <math>h_0</math> see <b>Tables B4.1, B5.1, B9.1, B10.1, B11.1, B12.1, B13.1, B14.1.</b></p>	 <p>Break the drill core and remove it.</p>
2		<p>Flush the drill hole with clean water until it flows clear.</p>	
3		<p>Blow out the drill hole twice, using oil-free compressed air (<math>p &gt; 6</math> bar).</p>	
4		<p>Brush the drill hole twice using a power drill. Corresponding brushes see <b>Table B15.1.</b></p>	
5		<p>Blow out the drill hole twice, using oil-free compressed air (<math>p &gt; 6</math> bar).</p>	

### Preparing the cartridge

6		<p>Remove the sealing cap. Screw on the static mixer (the spiral in the static mixer must be clearly visible).</p>	
7			<p>Place the cartridge into the dispenser. When using the foilbag, the foil container holder must be used.</p>
8			<p>Extrude approximately 10 cm of material out until the resin is evenly grey in colour. Do not use mortar that is not uniformly grey.</p>

**fischer Injection System FIS EM PLUS**

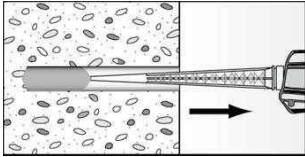
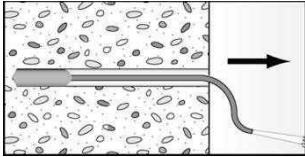
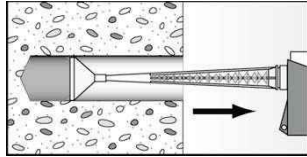
**Intended use**  
Installation instructions part 2

**Annex B17**

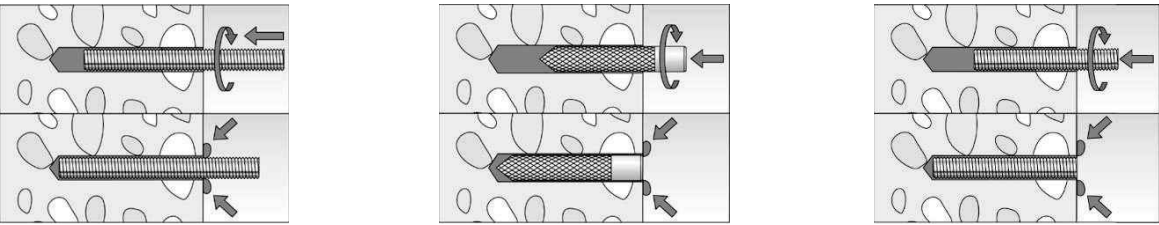
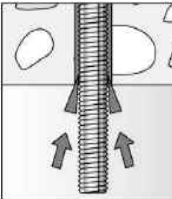
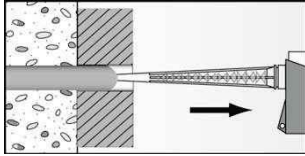
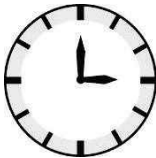
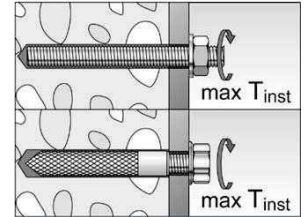
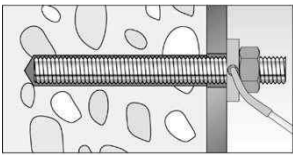
Appendix 26 / 28

### Installation instructions part 3

#### Injection of the mortar

<p>9</p>	 <p>Fill approximately 2/3 of the drill hole with mortar. Always begin from the bottom of the hole and avoid bubbles.</p>	 <p>The conditions for mortar injection without extension tube can be found in <b>Table B15.2</b>. For deeper drill holes, than those mentioned in <b>Table B15.2</b>, use a suitable extension tube.</p>	 <p>For overhead installation, deep holes (<math>h_0 &gt; 250</math> mm) or drill hole diameter (<math>d_0 \geq 30</math> mm / 1 1/8") use an injection-adapter.</p>
----------	--	--	---

#### Installation Anchor rods, Threaded rods or fischer internal threaded anchors RG M I / FIS IG

<p>10</p>	 <p>Only use clean and oil-free metal parts. Mark the setting depth of the metal parts. Push the anchor rod / threaded rod or fischer RG M I / FIS IG anchor down to the bottom of the hole, turning it slightly while doing so. No turning movement is permitted when using the DD-S / DD-E centering clips. After inserting the metal part, excess mortar must be emerged around the anchor element. If not, pull out the metal part immediately and reinject mortar.</p>
 <p>For overhead installations support the metal part with wedges (e.g., fischer centering wedges), fischer overhead clips or fischer centering clips.</p>	 <p>For push through installation, fill the annular gap with mortar.</p>
<p>11</p>  <p>Wait for the curing time <math>t_{cure}</math>, see <b>Table B19.1</b>.</p>	<p>12</p>  <p>Mounting the fixture max <math>T_{inst}</math> see <b>Tables B4.1, B5.1, B9.1, B10.1, B11.1</b>.</p>
<p>Option</p>	 <p>After the minimum curing time is reached, the gap between metal part and fixture (annular clearance) may be filled with mortar via the fischer filling disc. Compressive strength <math>\geq 50</math> N/mm<sup>2</sup> (e.g., fischer injection mortars FIS EM Plus, FIS HB, FIS SB, FIS V Plus). <b>ATTENTION:</b> Using fischer filling disc reduces <math>t_{fix}</math> (usable length of the anchor).</p>

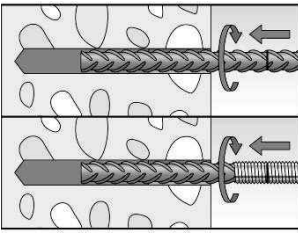
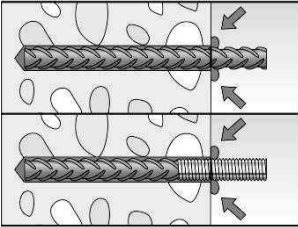

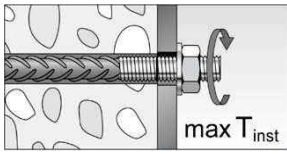
#### fischer Injection System FIS EM PLUS

**Intended use**  
Installation instructions part 3

**Annex B18**  
Appendix 27 / 28

## Installation instructions part 4

### Installation reinforcing bars and fischer FRA

10		<p>Only use clean and oil-free reinforcing bars or fischer FRA. Mark the setting depth. Turn while using force to push the reinforcement bar or the fischer FRA into the filled hole up to the setting depth mark.</p>	
		<p>When the setting depth mark is reached, excess mortar must be emerged from the mouth of the drill hole. If not, pull out the anchor element immediately and reinject mortar.</p>	
11	 <p>Wait for the curing time <math>t_{\text{cure}}</math>, see <b>Table B19.1</b>.</p>	12	 <p>Mounting the fixture  <math>\max T_{\text{inst}}</math>          see <b>Table B14.1</b>.</p>

**Table B19.1: Maximum processing time of the mortar and minimum curing time**  
 (During the curing time of the mortar the concrete temperature may not fall below the listed minimum temperature)

Temperature at anchoring base [°C]	Maximum processing time $t_{\text{work}}$	Minimum curing time <sup>1)</sup> $t_{\text{cure}}$
-5 to 0 <sup>2)</sup>	240 min	200 h
> 0 to 5 <sup>2)</sup>	150 min	90 h
> 5 to 10	120 min	40 h
> 10 to 20	30 min	18 h
> 20 to 30	14 min	10 h
> 30 to 40	7 min	5 h

<sup>1)</sup> In wet concrete or water filled holes the curing times must be doubled.

<sup>2)</sup> Minimal cartridge temperature +5 °C

**fischer Injection System FIS EM PLUS**

**Intended use**

Installation instructions part 4  
 Processing time and curing time

**Annex B19**

Appendix 28 / 28

**Table C1.1: Characteristic resistance to steel failure under tension / shear loading of metric Anchor rods / Threaded rods**

Anchor rod / Threaded rod		M8	M10	M12	M14	M16	M20	M22	M24	M27	M30			
<b>Characteristic resistance to steel failure under tension loading <sup>1)</sup></b>														
Characteristic resistance $N_{Rk,s}$	Steel zinc plated	Property class	4.8	[kN]	14,6(13,2)	23,2(21,4)	33,7	46,0	62,8	98,0	121,2	141,2	183,6	224,4
			5.8		18,3(16,6)	29,0(26,8)	42,1	57,5	78,5	122,5	151,5	176,5	229,5	280,5
			8.8		29,2(26,5)	46,4(42,8)	67,4	92,0	125,6	196,0	242,4	282,4	367,2	448,8
	Stainless steel R and high corrosion resistant steel HCR		50		18,3	29,0	42,1	57,5	78,5	122,5	151,5	176,5	229,5	280,5
			70		25,6	40,6	59,0	80,5	109,9	171,5	212,1	247,1	321,3	392,7
			80		29,2	46,4	67,4	92,0	125,6	196,0	242,4	282,4	367,2	448,8
<b>Partial factors <sup>2)</sup></b>														
Partial factor $\gamma_{Ms,N}$	Steel zinc plated	Property class	4.8	[-]	1,50									
			5.8		1,50									
			8.8		1,50									
	Stainless steel R and high corrosion resistant steel HCR		50		2,86									
			70		1,87 / fischer HCR: 1,50 <sup>3)</sup>									
			80		1,60									
<b>Characteristic resistance to steel failure under shear loading <sup>1)</sup></b>														
<b>Without lever arm</b>														
Characteristic resistance $V_{Rk,s}^0$	Steel zinc plated	Property class	4.8	[kN]	8,7(7,9)	13,9(12,8)	20,2	27,6	37,6	58,8	72,7	84,7	110,1	134,6
			5.8		10,9(9,9)	17,4(16,0)	25,2	34,5	47,1	73,5	90,9	105,9	137,7	168,3
			8.8		14,6(13,2)	23,2(21,4)	33,7	46,0	62,8	98,0	121,2	141,2	183,6	224,4
	Stainless steel R and high corrosion resistant steel HCR		50		9,1	14,5	21,0	28,7	39,2	61,2	75,7	88,2	114,7	140,2
			70		12,8	20,3	29,5	40,2	54,9	85,7	106,0	123,5	160,6	196,3
			80		14,6	23,2	33,7	46,0	62,8	98,0	121,2	141,2	183,6	224,4
Ductility factor	$k_7$	[-]	1,0											
<b>With lever arm</b>														
Charact. resistance $M_{Rk,s}^0$	Steel zinc plated	Property class	4.8	[Nm]	14,9(12,9)	29,9(26,5)	52,3	83,5	132,9	259,6	357,1	448,8	665,7	899,5
			5.8		18,7(16,1)	37,3(33,2)	65,4	104,4	166,2	324,6	446,4	561,0	832,2	1124,4
			8.8		29,9(25,9)	59,8(53,1)	104,6	167,0	265,9	519,3	714,2	897,6	1331,5	1799,0
	Stainless steel R and high corrosion resistant steel HCR		50		18,7	37,3	65,4	104,4	166,2	324,6	446,4	561,0	832,2	1124,4
			70		26,2	52,3	91,5	146,1	232,6	454,4	624,9	785,4	1165,0	1574,1
			80		29,9	59,8	104,6	167,0	265,9	519,3	714,2	897,6	1331,5	1799,0
<b>Partial factors <sup>2)</sup></b>														
Partial factor $\gamma_{Ms,V}$	Steel zinc plated	Property class	4.8	[-]	1,25									
			5.8		1,25									
			8.8		1,25									
	Stainless steel R and high corrosion resistant steel HCR		50		2,38									
			70		1,56 / fischer HCR: 1,25 <sup>3)</sup>									
			80		1,33									

<sup>1)</sup> Values in brackets are valid for undersized threaded rods with smaller stress area  $A_s$  for hot dip galvanised Threaded rods according to EN ISO 10684:2004+AC:2009.

<sup>2)</sup> In absence of other national regulations.

<sup>3)</sup> Only admissible for high corrosion resistant steel HCR, acc. to Table A6.1.

**fischer Injection System FIS EM PLUS**

**Performance**

Characteristic resistance to steel failure under tension / shear loading of metric Anchor rods / Threaded rods

**Annex C1**

Appendix 29 / 28

**Table C2.1: Characteristic resistance to steel failure under tension / shear loading of metric fischer RG M I**

fischer RG M I				M8	M10	M12	M16	M20	
<b>Characteristic resistance to steel failure under tension loading</b>									
Characteristic resistance with Screw or Threaded / Anchor rod $N_{Rk,s}$	Steel zinc plated	Property class of Screw or Threaded / Anchor rod	5.8	[kN]	18,3	29,0	42,1	78,3	122,4
			8.8		29,2	46,4	67,4	106,7	180,2
	Stainless steel R and High corrosion resistant steel HCR		70		25,6	40,6	59,0	109,6	171,3
<b>Partial factors <sup>1)</sup></b>									
Partial factor $\gamma_{Ms,N}$	Steel zinc plated	Property class of Screw or Threaded / Anchor rod	5.8	[-]	1,50				
			8.8		1,50				
	Stainless steel R and High corrosion resistant steel HCR		70		1,87 / fischer HCR: 1,50 <sup>2)</sup>				
<b>Characteristic resistance to steel failure under shear loading</b>									
<b>Without lever arm</b>									
Characteristic resistance with Screw or Threaded / Anchor rod $V_{Rk,s}$	Steel zinc plated	Property class of Screw or Threaded / Anchor rod	5.8	[kN]	10,9	17,4	25,2	47,1	73,5
			8.8		14,6	23,2	33,7	62,8	98,0
	Stainless steel R and High corrosion resistant steel HCR		70		12,8	20,3	29,5	54,9	85,7
Ductility factor			$k_7$	[-]	1,0				
<b>With lever arm</b>									
Characteristic resistance with Screw or Threaded / Anchor rod $M^0_{Rk,s}$	Steel zinc plated	Property class of Screw or Threaded / Anchor rod	5.8	[Nm]	18,7	37,3	65,4	166,2	324,6
			8.8		29,9	59,8	104,6	265,9	519,3
	Stainless steel R and High corrosion resistant steel HCR		70		26,2	52,3	91,5	232,6	454,4
<b>Partial factors <sup>1)</sup></b>									
Partial factor $\gamma_{Ms,V}$	Steel zinc plated	Property class of Screw or Threaded / Anchor rod	5.8	[-]	1,25				
			8.8		1,25				
	Stainless steel R and High corrosion resistant steel HCR		70		1,56 / fischer HCR: 1,25 <sup>2)</sup>				

1) In absence of other national regulations.

2) Only admissible for high corrosion resistant steel HCR, acc. to Table A6.1.

**fischer Injection System FIS EM PLUS**

**Performance**

Characteristic resistance to steel failure under tension / shear loading of metric fischer RG M I

**Annex C2**

**Table C3.1: Characteristic resistance to steel failure under tension / shear loading of metric fischer FIS IG**

fischer FIS IG					M8	M10	M12	M16	M20
<b>Characteristic resistance to steel failure under tension loading</b>									
Characteristic resistance with Screw or Threaded / Anchor rod $N_{Rk,s}$	Steel zinc plated	Property class of Screw or Threaded / Anchor rod	5.8	[kN]	18,3	29,0	42,1	78,3	122,4
			8.8		23,0	46,4	67,4	96,9	156,8
	Stainless steel R and High corrosion resistant steel HCR		70		25,6	40,6	59,0	109,6	171,3
<b>Partial factors <sup>1)</sup></b>									
Partial factor $\gamma_{Ms,N}$	Steel zinc plated	Property class of Screw or Threaded / Anchor rod	5.8	[-]	1,50				
			8.8		1,50				
	Stainless steel R and High corrosion resistant steel HCR		70		1,87 / fischer HCR: 1,50 <sup>2)</sup>				
<b>Characteristic resistance to steel failure under shear loading</b>									
<b>Without lever arm</b>									
Characteristic resistance with Screw or Threaded / Anchor rod $V_{Rk,s}$	Steel zinc plated	Property class of Screw or Threaded / Anchor rod	5.8	[kN]	10,9	17,4	25,2	47,1	73,5
			8.8		14,6	23,2	33,7	62,8	98,0
	Stainless steel R and High corrosion resistant steel HCR		70		12,8	20,3	29,5	54,9	85,7
Ductility factor			$k_7$	[-]	1,0				
<b>With lever arm</b>									
Characteristic resistance with Screw or Threaded / Anchor rod $M^0_{Rk,s}$	Steel zinc plated	Property class of Screw or Threaded / Anchor rod	5.8	[Nm]	18,7	37,3	65,4	166,2	324,6
			8.8		29,9	59,8	104,6	265,9	519,3
	Stainless steel R and High corrosion resistant steel HCR		70		26,2	52,3	91,5	232,6	454,4
<b>Partial factors <sup>1)</sup></b>									
Partial factor $\gamma_{Ms,V}$	Steel zinc plated	Property class of Screw or Threaded / Anchor rod	5.8	[-]	1,25				
			8.8		1,25				
	Stainless steel R and High corrosion resistant steel HCR		70		1,56 / fischer HCR: 1,25 <sup>2)</sup>				

1) In absence of other national regulations.

2) Only admissible for high corrosion resistant steel HCR, acc. to Table A6.1.

**fischer Injection System FIS EM PLUS**

**Performance**

Characteristic resistance to steel failure under tension / shear loading of metric fischer FIS IG

**Annex C3**

**Table C4.1: Characteristic resistance to steel failure under tension / shear loading of metric reinforcing bars**

<b>Nominal diameter of the bar</b>		$\phi$	<b>8 to 40</b>
<b>Characteristic resistance to steel failure under tension loading</b>			
Characteristic resistance	$N_{Rk,s}$	[kN]	$A_s \cdot f_{uk}^{1)}$
<b>Characteristic resistance to steel failure under shear loading</b>			
<b>Without lever arm</b>			
Characteristic resistance	$V^0_{Rk,s}$	[kN]	$k_6^{2)}) \cdot A_s \cdot f_{uk}^{1)}$
Ductility factor	$k_7$	[-]	1,0
<b>With lever arm</b>			
Characteristic resistance	$M^0_{Rk,s}$	[Nm]	$1,2 \cdot W_{el} \cdot f_{uk}^{1)}$

1)  $f_{uk}$  respectively shall be taken from the specifications of the reinforcing bar.

2) In accordance with EN 1992-4:2018 section 7.2.2.3.1:

- $k_6 = 0,6$  for fasteners made of carbon steel with  $f_{uk} \leq 500 \text{ N/mm}^2$ ,
- $= 0,5$  for fasteners made of carbon steel with  $500 \text{ N/mm}^2 < f_{uk} \leq 1000 \text{ N/mm}^2$ ,
- $= 0,5$  for fasteners made of stainless steel.

**Table C4.2: Characteristic resistance to steel failure under tension / shear loading of metric fischer FRA**

fischer FRA		M12	M16	M20	M24	
<b>Characteristic resistance to steel failure under tension loading</b>						
Characteristic resistance	$N_{Rk,s}$	[kN]	62,0	111,0	173,0	236,5
<b>Partial factor <sup>1)</sup></b>						
Partial factor	$\gamma_{Ms,N}$	[-]	1,40			
<b>Characteristic resistance to steel failure under shear loading</b>						
<b>Without lever arm</b>						
Characteristic resistance	$V^0_{Rk,s}$	[kN]	34,5	64,3	100,4	144,7
Ductility factor	$k_7$	[-]	1,0			
<b>With lever arm</b>						
Characteristic resistance	$M^0_{Rk,s}$	[Nm]	107,4	273,0	532,2	920,4
<b>Partial factor <sup>1)</sup></b>						
Partial factor	$\gamma_{Ms,V}$	[-]	1,50			

<sup>1)</sup> In absence of other national regulations.

**fischer Injection System FIS EM PLUS**

**Performance**

Characteristic resistance to steel failure under tension / shear loading of metric reinforcing bars and metric fischer FRA

**Annex C4**

Appendix 32 / 28

**Table C5.1: Characteristic resistance for concrete failure under tension / shear loading (metric size)**

Size		All sizes																		
<b>Tension loading</b>																				
Installation factor	$\gamma_{inst}$	[-]	See annex C6 to C19 and C43 to C45																	
<b>Factors for the compressive strength of concrete &gt; C20/25</b>																				
Increasing factor $\psi_c$ for cracked or uncracked concrete $\tau_{Rk(X,Y)} = \psi_c \cdot \tau_{Rk(C20/25)}$	C25/30	$\psi_c$	[-]	1,02																
	C30/37			1,04																
	C35/45			1,06																
	C40/50			1,07																
	C45/55			1,08																
	C50/60			1,09																
<b>Splitting failure</b>																				
Edge distance	$h / h_{ef} \geq 2,0$	$C_{cr,sp}$	[mm]	1,0 $h_{ef}$																
	$2,0 > h / h_{ef} > 1,3$			4,6 $h_{ef} - 1,8 h$																
	$h / h_{ef} \leq 1,3$			2,26 $h_{ef}$																
Spacing	$S_{cr,sp}$			2 $c_{cr,sp}$																
<b>Concrete cone failure</b>																				
Uncracked concrete	$k_{ucr,N}$	[-]	11,0																	
Cracked concrete	$k_{cr,N}$		7,7																	
Edge distance	$C_{cr,N}$	[mm]	1,5 $h_{ef}$																	
Spacing	$S_{cr,N}$		2 $c_{cr,N}$																	
<b>Factors for sustained tension loading</b>																				
Temperature range				24 °C / 40 °C				35 °C / 60 °C				50 °C / 72 °C								
Factor	$\psi_{sus}^0$	[-]	1,0				1,0				0,7									
Factor	$\psi_{sus,100}^0$	[-]	1,0				1,0				1,0									
<b>Shear loading</b>																				
Installation factor	$\gamma_{inst}$	[-]	1,0																	
<b>Concrete pry-out failure</b>																				
Factor for pry-out failure	$k_8$	[-]	2,0																	
<b>Concrete edge failure</b>																				
Effective length of fastener for shear loading	$l_f$	[mm]	for $d_{nom} \leq 24$ mm: min ( $h_{ef}$ ; 12 $d_{nom}$ ) for $d_{nom} > 24$ mm: min ( $h_{ef}$ ; max (8 $d_{nom}$ ; 300 mm))																	
<b>Effective diameter of the fastener <math>d_{nom}</math></b>																				
Size				M8	M10	M12	M14	M16	M20	M22	M24	M27	M30							
Anchor rods and Threaded rods	$d_{nom}$	[mm]	8	10	12	14	16	20	22	24	27	30								
fischer RG M I	$d_{nom}$		12,0	15,7	18,0	- <sup>1)</sup>	22,0	28,0	- <sup>1)</sup>	- <sup>1)</sup>	- <sup>1)</sup>	- <sup>1)</sup>								
fischer FIS IG	$d_{nom}$		12	16	20	- <sup>1)</sup>	24	30	- <sup>1)</sup>	- <sup>1)</sup>	- <sup>1)</sup>	- <sup>1)</sup>								
fischer FRA	$d_{nom}$		- <sup>1)</sup>	- <sup>1)</sup>	12	- <sup>1)</sup>	16	20	- <sup>1)</sup>	25	- <sup>1)</sup>	- <sup>1)</sup>								
Size (nominal diameter of the bar)	$\phi$	8			10	12	14	16	18	20	22	24	25	26	28	30	32	34	36	40
Reinforcing bar	$d_{nom}$	[mm]	8	10	12	14	16	18	20	22	24	25	26	28	30	32	34	36	40	

<sup>1)</sup> Anchor type not part of the assessment.

**fischer Injection System FIS EM PLUS**

**Performance**

Characteristic resistance for concrete failure under tension / shear loading (metric size)

**Annex C5**

Appendix 33 / 28

**Table C6.1: Characteristic resistance to combined pull-out and concrete failure for metric Anchor rods and Threaded rods in hammer or diamond drilled holes; uncracked or cracked concrete; working life 50 years**

Anchor rod / Threaded rod		M8 <sup>1)</sup>	M10	M12	M14	M16	M20	M22	M24	M27	M30	
<b>Combined pull-out and concrete cone failure</b>												
Calculation diameter	d	[mm]	8	10	12	14	16	20	22	24	27	30
<b>Uncracked concrete</b>												
<b>Characteristic bond resistance in uncracked concrete C20/25</b>												
Hammer-drilling with standard drill bit or hollow drill bit (dry or wet concrete)												
Temperature range	I: 24 °C / 40 °C	$\tau_{Rk,ucr}$ [N/mm <sup>2</sup> ]	20,8	19,7	18,8	18,1	17,6	16,7	16,3	16,0	15,5	15,1
	II: 35 °C / 60 °C		18,0	18,0	18,0	17,0	17,0	16,0	15,0	15,0	15,0	14,0
	III: 50 °C / 72 °C		18,0	17,0	17,0	16,0	16,0	15,0	14,0	14,0	14,0	13,0
Hammer-drilling with standard drill bit or hollow drill bit (water filled hole)												
Temperature range	I: 24 °C / 40 °C	$\tau_{Rk,ucr}$ [N/mm <sup>2</sup> ]	20,8	19,7	18,8	17,9	16,9	15,3	14,4	13,8	13,2	12,3
	II: 35 °C / 60 °C		16,0	16,0	15,0	13,0	13,0	11,0	11,0	10,0	10,0	9,0
	III: 50 °C / 72 °C		15,0	14,0	14,0	13,0	12,0	11,0	10,0	10,0	9,0	9,0
<b>Installation factors; Hammer-drilling with standard drill bit or hollow drill bit</b>												
Dry or wet concrete	$\gamma_{inst}$	[-]	1,0									
Water filled hole			1,4									
<b>Diamond-drilling (dry or wet concrete)</b>												
Temperature range	I: 24 °C / 40 °C	$\tau_{Rk,ucr}$ [N/mm <sup>2</sup> ]	16,0	15,0	13,5	12,8	12,4	11,6	11,3	10,9	10,5	10,3
	II: 35 °C / 60 °C		16,0	15,0	13,0	12,0	12,0	10,0	10,0	10,0	9,0	9,0
	III: 50 °C / 72 °C		15,0	14,0	12,0	11,0	11,0	10,0	9,0	9,0	8,0	8,0
<b>Diamond-drilling (water filled hole)</b>												
Temperature range	I: 24 °C / 40 °C	$\tau_{Rk,ucr}$ [N/mm <sup>2</sup> ]	16,0	16,8	15,5	14,3	13,6	12,0	11,5	10,9	10,3	9,9
	II: 35 °C / 60 °C		16,0	15,0	13,0	12,0	12,0	10,0	10,0	10,0	9,0	9,0
	III: 50 °C / 72 °C		15,0	14,0	12,0	11,0	11,0	10,0	9,0	9,0	8,0	8,0
<b>Installation factors; Diamond-drilling</b>												
Dry or wet concrete	$\gamma_{inst}$	[-]	1,0									
Water filled hole			1,4									
<b>Cracked concrete</b>												
<b>Characteristic bond resistance in cracked concrete C20/25</b>												
Hammer-drilling with standard drill bit or hollow drill bit (dry or wet concrete)												
Temperature range	I: 24 °C / 40 °C	$\tau_{Rk,cr}$ [N/mm <sup>2</sup> ]	7,7	9,0	10,1	9,8	9,5	8,5	8,5	8,5	8,5	8,5
	II: 35 °C / 60 °C		7,7	9,0	10,1	9,8	9,5	8,5	8,5	8,5	8,5	8,5
	III: 50 °C / 72 °C		7,2	8,5	9,5	9,2	8,9	8,5	8,5	8,5	8,5	8,5
Hammer-drilling with standard drill bit or hollow drill bit (water filled hole)												
Temperature range	I: 24 °C / 40 °C	$\tau_{Rk,cr}$ [N/mm <sup>2</sup> ]	6,6	7,7	8,7	8,3	7,7	6,0	6,0	6,0	6,0	6,0
	II: 35 °C / 60 °C		6,6	7,7	8,7	8,3	7,7	6,0	6,0	6,0	6,0	6,0
	III: 50 °C / 72 °C		6,2	7,3	8,1	7,9	7,3	6,0	6,0	6,0	6,0	6,0
<b>Installation factors; Hammer-drilling with standard drill bit or hollow drill bit</b>												
Dry or wet concrete	$\gamma_{inst}$	[-]	1,0									
Water filled hole			1,2					1,4				
<b>Diamond-drilling (dry or wet concrete)</b>												
Temperature range	I: 24 °C / 40 °C	$\tau_{Rk,cr}$ [N/mm <sup>2</sup> ]	7,0	7,0	7,0	7,0	6,0	6,0	7,0	7,0	7,0	7,0
	II: 35 °C / 60 °C		7,0	7,0	7,0	7,0	6,0	6,0	7,0	7,0	7,0	7,0
	III: 50 °C / 72 °C		7,0	7,0	7,0	7,0	6,0	6,0	7,0	7,0	7,0	7,0
<b>Diamond-drilling (water filled hole)</b>												
Temperature range	I: 24 °C / 40 °C	$\tau_{Rk,cr}$ [N/mm <sup>2</sup> ]	6,0	7,5	7,5	7,0	6,0	6,0	6,0	6,0	6,0	6,0
	II: 35 °C / 60 °C		6,0	7,5	7,5	7,0	6,0	6,0	6,0	6,0	6,0	6,0
	III: 50 °C / 72 °C		6,0	7,0	7,0	7,0	6,0	6,0	6,0	6,0	6,0	6,0
<b>Installation factors; Diamond-drilling</b>												
Dry or wet concrete	$\gamma_{inst}$	[-]	1,0									
Water filled hole			1,2					1,4				

<sup>1)</sup> Not allowed for hollow drill bit.

**fischer Injection System FIS EM PLUS**

**Performance**

Characteristic resistance to combined pull-out and concrete failure for Anchor rods and Threaded rods; working life 50 years

**Annex C6**

Appendix 34 / 28

**Table C7.1: Characteristic resistance to combined pull-out and concrete failure for metric Anchor rods and Threaded rods in hammer or diamond drilled holes; uncracked or cracked concrete; working life 100 years**

Anchor rod / Threaded rod		M8 <sup>1)</sup>	M10	M12	M14	M16	M20	M22	M24	M27	M30	
<b>Combined pull-out and concrete cone failure</b>												
Calculation diameter	d	[mm]	8	10	12	14	16	20	22	24	27	30
<b>Uncracked concrete</b>												
<b>Characteristic bond resistance in uncracked concrete C20/25</b>												
<u>Hammer-drilling with standard drill bit or hollow drill bit (dry or wet concrete)</u>												
Temperature range	I: 24 °C / 40 °C	$\tau_{Rk,100,ucr}$ [N/mm <sup>2</sup> ]	17,1	16,1	15,4	14,9	14,4	13,7	13,4	13,1	12,7	12,4
	II: 35 °C / 60 °C		13,5	13,5	13,5	12,8	12,8	12,0	11,3	11,3	11,3	10,5
	III: 50 °C / 72 °C		9,9	10,2	10,2	10,4	10,4	9,8	9,1	9,1	9,1	8,5
<u>Hammer-drilling with standard drill bit or hollow drill bit (water filled hole)</u>												
Temperature range	I: 24 °C / 40 °C	$\tau_{Rk,100,ucr}$ [N/mm <sup>2</sup> ]	17,1	16,2	15,4	14,7	13,9	12,5	11,8	11,3	10,8	10,1
	II: 35 °C / 60 °C		12,0	12,0	11,3	9,8	9,8	8,3	8,3	7,5	7,5	6,8
	III: 50 °C / 72 °C		8,3	8,4	8,4	8,5	7,8	7,2	6,5	6,5	5,9	5,9
<b>Installation factors; Hammer-drilling with standard drill bit or hollow drill bit</b>												
Dry or wet concrete	$\gamma_{inst}$	[-]	1,0									
Water filled hole			1,4									
<u>Diamond-drilling (dry or wet concrete)</u>												
Temperature range	I: 24 °C / 40 °C	$\tau_{Rk,100,ucr}$ [N/mm <sup>2</sup> ]	12,0	12,3	11,6	11,1	10,5	10,1	9,5	9,3	8,9	8,8
	II: 35 °C / 60 °C		12,0	11,3	9,8	9,0	9,0	7,5	7,5	7,5	6,8	6,8
	III: 50 °C / 72 °C		8,3	8,4	7,2	7,2	7,2	6,5	5,9	5,9	5,2	5,2
<u>Diamond-drilling (water filled hole)</u>												
Temperature range	I: 24 °C / 40 °C	$\tau_{Rk,100,ucr}$ [N/mm <sup>2</sup> ]	12,0	13,8	12,7	11,7	11,2	10,0	9,4	8,9	8,4	8,1
	II: 35 °C / 60 °C		12,0	11,3	9,8	9,0	9,0	7,5	7,5	7,5	6,8	6,8
	III: 50 °C / 72 °C		8,3	8,4	7,2	7,2	7,2	6,5	5,9	5,9	5,2	5,2
<b>Installation factors</b>												
Dry or wet concrete	$\gamma_{inst}$	[-]	1,0									
Water filled hole			1,4									
<b>Cracked concrete</b>												
<b>Characteristic bond resistance in cracked concrete C20/25</b>												
<u>Hammer-drilling with standard drill bit or hollow drill bit (dry or wet concrete)</u>												
Temperature range	I: 24 °C / 40 °C	$\tau_{Rk,100,cr}$ [N/mm <sup>2</sup> ]	5,7	7,0	7,6	7,4	7,2	6,9	6,8	6,7	6,5	6,3
	II: 35 °C / 60 °C		5,7	7,0	7,6	7,4	7,2	6,9	6,8	6,7	6,5	6,3
	III: 50 °C / 72 °C		5,4	6,6	7,2	7,0	6,8	6,4	6,4	6,3	6,1	6,0
<u>Hammer-drilling with standard drill bit or hollow drill bit (water filled hole)</u>												
Temperature range	I: 24 °C / 40 °C	$\tau_{Rk,100,cr}$ [N/mm <sup>2</sup> ]	4,9	6,0	6,5	6,1	5,9	4,9	4,8	4,7	4,6	4,4
	II: 35 °C / 60 °C		4,9	6,0	6,5	6,1	5,9	4,9	4,8	4,7	4,6	4,4
	III: 50 °C / 72 °C		4,6	5,7	6,1	5,7	5,5	4,5	4,5	4,4	4,3	4,3
<b>Installation factors; Hammer-drilling with standard drill bit or hollow drill bit</b>												
Dry or wet concrete	$\gamma_{inst}$	[-]	1,0									
Water filled hole			1,2				1,4					
<u>Diamond-drilling (dry or wet concrete)</u>												
Temperature range	I: 24 °C / 40 °C	$\tau_{Rk,100,cr}$ [N/mm <sup>2</sup> ]	4,2	6,0	5,6	4,6	3,9	3,9	4,6	4,6	4,6	4,6
	II: 35 °C / 60 °C		4,2	6,0	5,6	4,6	3,9	3,9	4,6	4,6	4,6	4,6
	III: 50 °C / 72 °C		4,2	6,0	5,6	4,6	3,9	3,9	4,6	4,6	4,6	4,6
<b>Installation factors</b>												
Dry or wet concrete	$\gamma_{inst}$	[-]	1,0									

<sup>1)</sup> Not allowed for hollow drill bit.

**fischer Injection System FIS EM PLUS**

**Performance**

Characteristic resistance to combined pull-out and concrete failure for Anchor rods and Threaded rods in hammer or diamond drilled holes; working life 100 years

**Annex C7**

Appendix 35 / 28

**Table C8.1: Characteristic resistance to combined pull-out and concrete failure for metric fischer RG M I in hammer or diamond drilled holes; uncracked or cracked concrete; working life 50 years**

fischer RG M I			M8	M10	M12	M16	M20	
<b>Combined pull-out and concrete cone failure</b>								
Calculation diameter	d	[mm]	12	15,7	18	22	28	
<b>Uncracked concrete</b>								
<b>Characteristic bond resistance in uncracked concrete C20/25</b>								
Hammer-drilling with standard drill bit or hollow drill bit (dry or wet concrete)								
Temperature range	I: 24 °C / 40 °C	$\tau_{Rk,ucr}$	[N/mm <sup>2</sup> ]	18,8	17,6	17,0	16,2	15,3
	II: 35 °C / 60 °C			15,0	14,0	14,0	13,0	12,0
	III: 50 °C / 72 °C			14,0	13,0	13,0	12,0	11,0
Hammer-drilling with standard drill bit or hollow drill bit (water filled hole)								
Temperature range	I: 24 °C / 40 °C	$\tau_{Rk,ucr}$	[N/mm <sup>2</sup> ]	18,8	16,9	15,8	14,3	12,8
	II: 35 °C / 60 °C			14,0	12,0	12,0	11,0	10,0
	III: 50 °C / 72 °C			13,0	12,0	11,0	10,0	9,0
<b>Installation factors; Hammer-drilling with standard drill bit or hollow drill bit</b>								
Dry or wet concrete		$\gamma_{inst}$	[-]	1,0				
Water filled hole				1,4				
Diamond-drilling (dry or wet concrete)								
Temperature range	I: 24 °C / 40 °C	$\tau_{Rk,ucr}$	[N/mm <sup>2</sup> ]	13,3	12,3	11,9	11,2	10,4
	II: 35 °C / 60 °C			13,0	12,0	11,0	10,0	9,0
	III: 50 °C / 72 °C			12,0	11,0	10,0	9,0	8,0
Diamond-drilling (water filled hole)								
Temperature range	I: 24 °C / 40 °C	$\tau_{Rk,ucr}$	[N/mm <sup>2</sup> ]	15,1	13,6	12,6	11,4	10,2
	II: 35 °C / 60 °C			13,0	12,0	11,0	10,0	9,0
	III: 50 °C / 72 °C			12,0	11,0	10,0	9,0	8,0
<b>Installation factors; Diamond-drilling</b>								
Dry or wet concrete		$\gamma_{inst}$	[-]	1,0				
Water filled hole				1,4				
<b>Cracked concrete</b>								
<b>Characteristic bond resistance in cracked concrete C20/25</b>								
Hammer-drilling with standard drill bit or hollow drill bit (dry or wet concrete)								
Temperature range	I: 24 °C / 40 °C	$\tau_{Rk,cr}$	[N/mm <sup>2</sup> ]	7,0	6,0	6,0	7,0	7,0
	II: 35 °C / 60 °C			7,0	6,0	6,0	7,0	7,0
	III: 50 °C / 72 °C			7,0	6,0	6,0	7,0	7,0
Hammer-drilling with standard drill bit or hollow drill bit (water filled hole)								
Temperature range	I: 24 °C / 40 °C	$\tau_{Rk,cr}$	[N/mm <sup>2</sup> ]	7,0	6,5	6,0	6,0	6,0
	II: 35 °C / 60 °C			7,0	6,5	6,0	6,0	6,0
	III: 50 °C / 72 °C			7,0	6,0	6,0	6,0	6,0
<b>Installation factors; Hammer-drilling with standard drill bit or hollow drill bit</b>								
Dry or wet concrete		$\gamma_{inst}$	[-]	1,0				
Water filled hole				1,2		1,4		
Diamond-drilling (dry or wet concrete)								
Temperature range	I: 24 °C / 40 °C	$\tau_{Rk,cr}$	[N/mm <sup>2</sup> ]	7,0	6,0	6,0	7,0	7,0
	II: 35 °C / 60 °C			7,0	6,0	6,0	7,0	7,0
	III: 50 °C / 72 °C			7,0	6,0	6,0	7,0	7,0
Diamond-drilling (water filled hole)								
Temperature range	I: 24 °C / 40 °C	$\tau_{Rk,cr}$	[N/mm <sup>2</sup> ]	7,0	6,5	6,0	6,0	6,0
	II: 35 °C / 60 °C			7,0	6,5	6,0	6,0	6,0
	III: 50 °C / 72 °C			7,0	6,0	6,0	6,0	6,0
<b>Installation factors; Diamond-drilling</b>								
Dry or wet concrete		$\gamma_{inst}$	[-]	1,0				
Water filled hole				1,2		1,4		

**fischer Injection System FIS EM PLUS**

**Performance**

Characteristic resistance to combined pull-out and concrete failure for fischer RG M I; working life 50 years

**Annex C8**

**Table C9.1: Characteristic resistance to combined pull-out and concrete failure for metric fischer RG M I in hammer or diamond drilled holes; uncracked or cracked concrete; working life 100 years**

fischer RG M I		M8	M10	M12	M16	M20	
<b>Combined pull-out and concrete cone failure</b>							
Calculation diameter	d	[mm]	12	15,7	18	22	28
<b>Uncracked concrete</b>							
<b>Characteristic bond resistance in uncracked concrete C20/25</b>							
<u>Hammer-drilling with standard drill bit or hollow drill bit (dry or wet concrete)</u>							
Temperature range	I: 24 °C / 40 °C	$\tau_{Rk,100,ucr}$ [N/mm <sup>2</sup> ]	15,4	14,4	14,0	13,3	12,6
	II: 35 °C / 60 °C		11,3	10,5	10,5	9,8	9,0
	III: 50 °C / 72 °C		7,7	7,8	7,8	7,8	7,2
<u>Hammer-drilling with standard drill bit or hollow drill bit (water filled hole)</u>							
Temperature range	I: 24 °C / 40 °C	$\tau_{Rk,100,ucr}$ [N/mm <sup>2</sup> ]	15,4	13,9	13,0	11,7	10,5
	II: 35 °C / 60 °C		10,5	9,0	9,0	8,3	7,5
	III: 50 °C / 72 °C		7,2	7,2	6,6	6,5	5,9
<b>Installation factors; Hammer-drilling with standard drill bit or hollow drill bit</b>							
Dry or wet concrete	$\gamma_{inst}$	[-]	1,0				
Water filled hole			1,4				
<u>Diamond-drilling (dry or wet concrete)</u>							
Temperature range	I: 24 °C / 40 °C	$\tau_{Rk,100,ucr}$ [N/mm <sup>2</sup> ]	10,9	10,1	9,8	9,2	8,6
	II: 35 °C / 60 °C		9,8	9,0	8,3	7,5	6,8
	III: 50 °C / 72 °C		6,6	6,6	6,0	5,9	5,2
<u>Diamond-drilling (water filled hole)</u>							
Temperature range	I: 24 °C / 40 °C	$\tau_{Rk,100,ucr}$ [N/mm <sup>2</sup> ]	12,5	11,2	10,3	9,3	8,4
	II: 35 °C / 60 °C		9,8	9,0	8,3	7,5	6,8
	III: 50 °C / 72 °C		6,6	6,6	6,0	5,9	5,2
<b>Installation factors; Diamond-drilling</b>							
Dry or wet concrete	$\gamma_{inst}$	[-]	1,0				
Water filled hole			1,4				
<b>Cracked concrete</b>							
<b>Characteristic bond resistance in cracked concrete C20/25</b>							
<u>Hammer-drilling with standard drill bit or hollow drill bit (dry or wet concrete)</u>							
Temperature range	I: 24 °C / 40 °C	$\tau_{Rk,100,cr}$ [N/mm <sup>2</sup> ]	4,2	5,1	4,8	4,6	4,6
	II: 35 °C / 60 °C		4,2	5,1	4,8	4,6	4,6
	III: 50 °C / 72 °C		4,2	5,1	4,8	4,6	4,6
<u>Hammer-drilling with standard drill bit or hollow drill bit (water filled hole)</u>							
Temperature range	I: 24 °C / 40 °C	$\tau_{Rk,100,cr}$ [N/mm <sup>2</sup> ]	4,2	5,5	4,8	3,9	3,9
	II: 35 °C / 60 °C		4,2	5,5	4,8	3,9	3,9
	III: 50 °C / 72 °C		4,2	5,1	4,8	3,9	3,9
<b>Installation factors; Hammer-drilling with standard drill bit or hollow drill bit</b>							
Dry or wet concrete	$\gamma_{inst}$	[-]	1,0				
Water filled hole			1,2	1,4			
<u>Diamond-drilling (dry or wet concrete)</u>							
Temperature range	I: 24 °C / 40 °C	$\tau_{Rk,100,cr}$ [N/mm <sup>2</sup> ]	4,2	5,1	4,8	4,6	4,6
	II: 35 °C / 60 °C		4,2	5,1	4,8	4,6	4,6
	III: 50 °C / 72 °C		4,2	5,1	4,8	4,6	4,6
<b>Installation factors; Diamond-drilling</b>							
Dry or wet concrete	$\gamma_{inst}$	[-]	1,0				

**fischer Injection System FIS EM PLUS**

**Performance**

Characteristic resistance to combined pull-out and concrete failure for fischer RG M I; working life 100 years

**Annex C9**

Appendix 37 / 28

**Table C10.1: Characteristic resistance to combined pull-out and concrete failure for metric fischer FIS IG in hammer or diamond drilled holes; uncracked or cracked concrete; working life 50 years**

fischer FIS IG			M8	M10	M12	M16	M20	
<b>Combined pull-out and concrete cone failure</b>								
Calculation diameter	d	[mm]	12	16	20	24	30	
<b>Uncracked concrete</b>								
<b>Characteristic bond resistance in uncracked concrete C20/25</b>								
Hammer-drilling with standard drill bit or hollow drill bit (dry or wet concrete)								
Temperature range	I: 24 °C / 40 °C	$\tau_{Rk,ucr}$	[N/mm <sup>2</sup> ]	18,8	17,6	16,7	16,0	15,1
	II: 35 °C / 60 °C			18,0	17,0	16,0	15,0	14,0
	III: 50 °C / 72 °C			17,0	16,0	15,0	14,0	13,0
Hammer-drilling with standard drill bit or hollow drill bit (water filled hole)								
Temperature range	I: 24 °C / 40 °C	$\tau_{Rk,ucr}$	[N/mm <sup>2</sup> ]	18,8	16,9	15,3	13,8	12,3
	II: 35 °C / 60 °C			15,0	13,0	11,0	10,0	9,0
	III: 50 °C / 72 °C			14,0	12,0	11,0	10,0	9,0
<b>Installation factors; Hammer-drilling with standard drill bit or hollow drill bit</b>								
Dry or wet concrete		$\gamma_{inst}$	[-]	1,0				
Water filled hole				1,4				
Diamond-drilling (dry or wet concrete)								
Temperature range	I: 24 °C / 40 °C	$\tau_{Rk,ucr}$	[N/mm <sup>2</sup> ]	13,5	12,4	11,6	10,9	10,3
	II: 35 °C / 60 °C			13,0	12,0	10,0	10,0	9,0
	III: 50 °C / 72 °C			12,0	11,0	10,0	9,0	8,0
Diamond-drilling (water filled hole)								
Temperature range	I: 24 °C / 40 °C	$\tau_{Rk,ucr}$	[N/mm <sup>2</sup> ]	15,5	13,6	12,0	10,9	9,9
	II: 35 °C / 60 °C			13,0	12,0	10,0	10,0	9,0
	III: 50 °C / 72 °C			12,0	11,0	10,0	9,0	8,0
<b>Installation factors; Diamond-drilling</b>								
Dry or wet concrete		$\gamma_{inst}$	[-]	1,0				
Water filled hole				1,4				
<b>Cracked concrete</b>								
<b>Characteristic bond resistance in cracked concrete C20/25</b>								
Hammer-drilling with standard drill bit or hollow drill bit (dry or wet concrete)								
Temperature range	I: 24 °C / 40 °C	$\tau_{Rk,cr}$	[N/mm <sup>2</sup> ]	10,1	9,5	8,5	8,5	8,5
	II: 35 °C / 60 °C			10,1	9,5	8,5	8,5	8,5
	III: 50 °C / 72 °C			9,5	8,9	8,5	8,5	8,5
Hammer-drilling with standard drill bit or hollow drill bit (water filled hole)								
Temperature range	I: 24 °C / 40 °C	$\tau_{Rk,cr}$	[N/mm <sup>2</sup> ]	8,7	7,7	6,0	6,0	6,0
	II: 35 °C / 60 °C			8,7	7,7	6,0	6,0	6,0
	III: 50 °C / 72 °C			8,1	7,3	6,0	6,0	6,0
<b>Installation factors; Hammer-drilling with standard drill bit or hollow drill bit</b>								
Dry or wet concrete		$\gamma_{inst}$	[-]	1,0				
Water filled hole				1,2		1,4		
Diamond-drilling (dry or wet concrete)								
Temperature range	I: 24 °C / 40 °C	$\tau_{Rk,cr}$	[N/mm <sup>2</sup> ]	7,0	6,0	6,0	7,0	7,0
	II: 35 °C / 60 °C			7,0	6,0	6,0	7,0	7,0
	III: 50 °C / 72 °C			7,0	6,0	6,0	7,0	7,0
Diamond-drilling (water filled hole)								
Temperature range	I: 24 °C / 40 °C	$\tau_{Rk,cr}$	[N/mm <sup>2</sup> ]	7,5	6,0	6,0	6,0	6,0
	II: 35 °C / 60 °C			7,5	6,0	6,0	6,0	6,0
	III: 50 °C / 72 °C			7,0	6,0	6,0	6,0	6,0
<b>Installation factors; Diamond-drilling</b>								
Dry or wet concrete		$\gamma_{inst}$	[-]	1,0				
Water filled hole				1,2		1,4		

**fischer Injection System FIS EM PLUS**

**Performance**

Characteristic resistance to combined pull-out and concrete failure for fischer FIS IG; working life 50 years

**Annex C10**

Appendix 38 / 28

**Table C11.1: Characteristic resistance to combined pull-out and concrete failure for metric fischer FIS IG in hammer or diamond drilled holes; uncracked or cracked concrete; working life 100 years**

fischer FIS IG		M8	M10	M12	M16	M20	
<b>Combined pull-out and concrete cone failure</b>							
Calculation diameter	d	[mm]	12	16	20	24	30
<b>Uncracked concrete</b>							
<b>Characteristic bond resistance in uncracked concrete C20/25</b>							
<u>Hammer-drilling with standard drill bit or hollow drill bit (dry or wet concrete)</u>							
Temperature range	I: 24 °C / 40 °C	$\tau_{Rk,100,ucr}$ [N/mm <sup>2</sup> ]	15,4	14,4	13,7	13,1	12,4
	II: 35 °C / 60 °C		13,5	12,8	12,0	11,3	10,5
	III: 50 °C / 72 °C		10,2	10,4	9,8	9,1	8,5
<u>Hammer-drilling with standard drill bit or hollow drill bit (water filled hole)</u>							
Temperature range	I: 24 °C / 40 °C	$\tau_{Rk,100,ucr}$ [N/mm <sup>2</sup> ]	15,4	13,9	12,5	11,3	10,1
	II: 35 °C / 60 °C		11,3	9,8	8,3	7,5	6,8
	III: 50 °C / 72 °C		8,4	7,8	7,2	6,5	5,9
<b>Installation factors; Hammer-drilling with standard drill bit or hollow drill bit</b>							
Dry or wet concrete	$\gamma_{inst}$	[-]	1,0				
Water filled hole			1,4				
<u>Diamond-drilling (dry or wet concrete)</u>							
Temperature range	I: 24 °C / 40 °C	$\tau_{Rk,100,ucr}$ [N/mm <sup>2</sup> ]	11,6	10,5	10,1	9,3	8,8
	II: 35 °C / 60 °C		9,8	9,0	7,5	7,5	6,8
	III: 50 °C / 72 °C		7,2	7,2	6,5	5,9	5,2
<u>Diamond-drilling (water filled hole)</u>							
Temperature range	I: 24 °C / 40 °C	$\tau_{Rk,100,ucr}$ [N/mm <sup>2</sup> ]	11,6	11,2	10,0	8,9	8,1
	II: 35 °C / 60 °C		9,8	9,0	7,5	7,5	6,8
	III: 50 °C / 72 °C		7,2	7,2	6,5	5,9	5,2
<b>Installation factors; Diamond-drilling</b>							
Dry or wet concrete	$\gamma_{inst}$	[-]	1,0				
Water filled hole			1,4				
<b>Cracked concrete</b>							
<b>Characteristic bond resistance in cracked concrete C20/25</b>							
<u>Hammer-drilling with standard drill bit or hollow drill bit (dry or wet concrete)</u>							
Temperature range	I: 24 °C / 40 °C	$\tau_{Rk,100,cr}$ [N/mm <sup>2</sup> ]	7,6	7,2	6,9	6,7	6,3
	II: 35 °C / 60 °C		7,6	7,2	6,9	6,7	6,3
	III: 50 °C / 72 °C		7,2	6,8	6,4	6,3	6,0
<u>Hammer-drilling with standard drill bit or hollow drill bit (water filled hole)</u>							
Temperature range	I: 24 °C / 40 °C	$\tau_{Rk,100,cr}$ [N/mm <sup>2</sup> ]	6,5	5,9	4,9	4,7	4,4
	II: 35 °C / 60 °C		6,5	5,9	4,9	4,7	4,4
	III: 50 °C / 72 °C		6,1	5,5	4,5	4,4	4,3
<b>Installation factors; Hammer-drilling with standard drill bit or hollow drill bit</b>							
Dry or wet concrete	$\gamma_{inst}$	[-]	1,0				
Water filled hole			1,2	1,4			
<u>Diamond-drilling (dry or wet concrete)</u>							
Temperature range	I: 24 °C / 40 °C	$\tau_{Rk,100,cr}$ [N/mm <sup>2</sup> ]	5,6	3,9	3,9	4,6	4,6
	II: 35 °C / 60 °C		5,6	3,9	3,9	4,6	4,6
	III: 50 °C / 72 °C		5,6	3,9	3,9	4,6	4,6
<b>Installation factors; Diamond-drilling</b>							
Dry or wet concrete	$\gamma_{inst}$	[-]	1,0				

**fischer Injection System FIS EM PLUS**

**Performance**

Characteristic resistance to combined pull-out and concrete failure for fischer FIS IG; working life 100 years

**Annex C11**

Appendix 39 / 28

**Table C12.1: Characteristic resistance to combined pull-out and concrete failure for metric reinforcing bars in hammer or diamond drilled holes; uncracked concrete; working life 50 years**

Nominal diameter of the bar		$\phi$	8 <sup>1)</sup>	10	12	14	16	18	20	22	24		
<b>Combined pull-out and concrete cone failure</b>													
Calculation diameter		d	[mm]	8	10	12	14	16	18	20	22	24	
<b>Uncracked concrete</b>													
<b>Characteristic bond resistance in uncracked concrete C20/25</b>													
Hammer-drilling with standard drill bit or hollow drill bit (dry or wet concrete)													
Temperature range	I: 24 °C / 40 °C	$\tau_{Rk,ucr}$	[N/mm <sup>2</sup> ]	16,0	16,8	16,1	15,5	15,0	14,6	14,2	14,0	13,6	
	II: 35 °C / 60 °C			16,0	15,0	15,0	14,0	14,0	13,0	13,0	13,0	13,0	12,0
	III: 50 °C / 72 °C			15,0	14,0	14,0	13,0	13,0	12,0	12,0	12,0	12,0	12,0
Hammer-drilling with standard drill bit or hollow drill bit (water filled hole)													
Temperature range	I: 24 °C / 40 °C	$\tau_{Rk,ucr}$	[N/mm <sup>2</sup> ]	16,0	16,8	16,1	14,9	14,4	13,4	13,0	12,1	11,8	
	II: 35 °C / 60 °C			16,0	16,0	14,0	13,0	12,0	12,0	11,0	11,0	10,0	
	III: 50 °C / 72 °C			15,0	14,0	13,0	12,0	12,0	11,0	11,0	10,0	10,0	
<b>Installation factors; Hammer-drilling with standard drill bit or hollow drill bit</b>													
Dry or wet concrete		$\gamma_{inst}$	[-]	1,0									
Water filled hole				1,4									
Diamond-drilling (dry or wet concrete as well as water filled hole)													
Temperature range	I: 24 °C / 40 °C	$\tau_{Rk,ucr}$	[N/mm <sup>2</sup> ]	16,0	15,0	13,0	12,0	12,0	11,0	10,0	10,0	10,0	
	II: 35 °C / 60 °C			16,0	15,0	13,0	12,0	12,0	11,0	10,0	10,0	10,0	
	III: 50 °C / 72 °C			15,0	14,0	12,0	11,0	11,0	10,0	10,0	9,0	9,0	
<b>Installation factors; Diamond-drilling</b>													
Dry or wet concrete		$\gamma_{inst}$	[-]	1,0									
Water filled hole				1,4									
Nominal diameter of the bar		$\phi$	25	26	28	30 <sup>1)</sup>	32 <sup>1)</sup>	34 <sup>1)</sup>	36 <sup>1)</sup>	40 <sup>1)</sup>			
<b>Combined pull-out and concrete cone failure</b>													
Calculation diameter		d	[mm]	25	26	28	30	32	34	36	40		
<b>Uncracked concrete</b>													
<b>Characteristic bond resistance in uncracked concrete C20/25</b>													
Hammer-drilling with standard drill bit or hollow drill bit (dry or wet concrete)													
Temperature range	I: 24 °C / 40 °C	$\tau_{Rk,ucr}$	[N/mm <sup>2</sup> ]	13,5	13,3	13,1	12,9	12,7	12,5	12,4	12,1		
	II: 35 °C / 60 °C			12,0	12,0	12,0	12,0	12,0	11,0	11,0	11,0		
	III: 50 °C / 72 °C			11,0	11,0	11,0	11,0	11,0	11,0	10,0	10,0		
Hammer-drilling with standard drill bit or hollow drill bit (water filled hole)													
Temperature range	I: 24 °C / 40 °C	$\tau_{Rk,ucr}$	[N/mm <sup>2</sup> ]	11,5	11,4	10,6	10,5	10,3	9,0	8,0	8,0		
	II: 35 °C / 60 °C			10,0	10,0	10,0	9,0	9,0	9,0	8,0	8,0		
	III: 50 °C / 72 °C			9,0	9,0	9,0	9,0	8,0	8,0	8,0	8,0		
<b>Installation factors; Hammer-drilling with standard drill bit or hollow drill bit</b>													
Dry or wet concrete		$\gamma_{inst}$	[-]	1,0									
Water filled hole				1,4									
Diamond-drilling (dry or wet concrete as well as water filled hole)													
Temperature range	I: 24 °C / 40 °C	$\tau_{Rk,ucr}$	[N/mm <sup>2</sup> ]	9,0	9,0	9,0	9,0	8,0	8,0	8,0	7,0		
	II: 35 °C / 60 °C			9,0	9,0	9,0	9,0	8,0	8,0	8,0	8,0		
	III: 50 °C / 72 °C			9,0	8,0	8,0	8,0	8,0	7,0	7,0	7,0		
<b>Installation factors; Diamond-drilling</b>													
Dry or wet concrete		$\gamma_{inst}$	[-]	1,0									
Water filled hole				1,4									

<sup>1)</sup> Not allowed for hollow drill bit.

**fischer Injection System FIS EM PLUS**

**Performance**

Characteristic resistance to combined pull-out and concrete failure for reinforcing bars; working life 50 years

**Annex C12**

Appendix 40 / 28

**Table C13.1: Characteristic resistance to combined pull-out and concrete failure for metric reinforcing bars in hammer or diamond drilled holes; cracked concrete; working life 50 years part 1**

Nominal diameter of the bar		$\phi$	8 <sup>1)</sup>	10	12	14	16	18	20	22	24		
<b>Combined pull-out and concrete cone failure</b>													
Calculation diameter		d	[mm]	8	10	12	14	16	18	20	22	24	
<b>Cracked concrete</b>													
<b>Characteristic bond resistance in cracked concrete C20/25</b>													
<u>Hammer-drilling with standard drill bit or hollow drill bit (dry or wet concrete)</u>													
Tem- perature range	I: 24 °C / 40 °C		$\tau_{RK,cr}$	[N/mm <sup>2</sup> ]	7,0	7,0	8,0	8,0	8,0	8,0	8,0	8,0	
	II: 35 °C / 60 °C				7,0	7,0	8,0	8,0	8,0	8,0	8,0	8,0	8,0
	III: 50 °C / 72 °C				7,0	7,0	8,0	8,0	8,0	8,0	8,0	8,0	8,0
<u>Hammer-drilling with standard drill bit or hollow drill bit (water filled hole)</u>													
Tem- perature range	I: 24 °C / 40 °C		$\tau_{RK,cr}$	[N/mm <sup>2</sup> ]	6,0	7,5	6,5	6,5	6,5	6,0	6,0	6,0	
	II: 35 °C / 60 °C				6,0	7,5	6,5	6,5	6,5	6,0	6,0	6,0	6,0
	III: 50 °C / 72 °C				6,0	6,5	6,5	6,0	6,0	6,0	6,0	6,0	6,0
<b>Installation factors; Hammer-drilling with standard drill bit or hollow drill bit</b>													
Dry or wet concrete		$\gamma_{inst}$	[-]	1,0									
Water filled hole				1,2					1,4				
<u>Diamond-drilling (dry or wet concrete)</u>													
Tem- perature range	I: 24 °C / 40 °C		$\tau_{RK,cr}$	[N/mm <sup>2</sup> ]	7,0	7,0	7,0	7,0	6,0	6,0	6,0	7,0	
	II: 35 °C / 60 °C				7,0	7,0	7,0	7,0	6,0	6,0	6,0	7,0	7,0
	III: 50 °C / 72 °C				7,0	7,0	7,0	7,0	6,0	6,0	6,0	7,0	7,0
<u>Diamond-drilling (water filled hole)</u>													
Tem- perature range	I: 24 °C / 40 °C		$\tau_{RK,cr}$	[N/mm <sup>2</sup> ]	6,0	7,5	6,5	6,5	6,5	6,0	6,0	6,0	
	II: 35 °C / 60 °C				6,0	7,5	6,5	6,5	6,5	6,0	6,0	6,0	6,0
	III: 50 °C / 72 °C				6,0	6,5	6,5	6,0	6,0	6,0	6,0	6,0	6,0
<b>Installation factors; Diamond-drilling</b>													
Dry or wet concrete		$\gamma_{inst}$	[-]	1,0									
Water filled hole				1,2					1,4				

<sup>1)</sup> Not allowed for hollow drill bit.

**fischer Injection System FIS EM PLUS**

**Performance**

Characteristic resistance to combined pull-out and concrete failure for reinforcing bars; working life 50 years part 1

**Annex C13**

Appendix 41 / 28

**Table C14.1: Characteristic resistance to combined pull-out and concrete failure for metric reinforcing bars in hammer or diamond drilled holes; cracked concrete; working life 50 years part 2**

Nominal diameter of the bar		$\phi$	25	26	28	30 <sup>1)</sup>	32 <sup>1)</sup>	34 <sup>1)</sup>	36 <sup>1)</sup>	40 <sup>1)</sup>		
<b>Combined pull-out and concrete cone failure</b>												
Calculation diameter	d	[mm]	25	26	28	30	32	34	36	40		
<b>Cracked concrete</b>												
<b>Characteristic bond resistance in cracked concrete C20/25</b>												
Hammer-drilling with standard drill bit or hollow drill bit (dry or wet concrete)												
Tem- perature range	I: 24 °C / 40 °C		$\tau_{Rk,cr}$	[N/mm <sup>2</sup> ]	8,0	8,0	8,0	8,0	8,0	8,0	8,0	
	II: 35 °C / 60 °C				8,0	8,0	8,0	8,0	8,0	8,0	8,0	8,0
	III: 50 °C / 72 °C				8,0	8,0	8,0	8,0	8,0	8,0	8,0	8,0
Hammer-drilling with standard drill bit or hollow drill bit (water filled hole)												
Tem- perature range	I: 24 °C / 40 °C		$\tau_{Rk,cr}$	[N/mm <sup>2</sup> ]	6,0	6,0	6,0	6,0	5,0	5,0	5,0	
	II: 35 °C / 60 °C				6,0	6,0	6,0	6,0	5,0	5,0	5,0	5,0
	III: 50 °C / 72 °C				6,0	6,0	6,0	6,0	5,0	5,0	5,0	5,0
<b>Installation factors; Hammer-drilling with standard drill bit or hollow drill bit</b>												
Dry or wet concrete		$\gamma_{inst}$	[-]	1,0								
Water filled hole				1,4								
Diamond-drilling (dry or wet concrete)												
Tem- perature range	I: 24 °C / 40 °C		$\tau_{Rk,cr}$	[N/mm <sup>2</sup> ]	7,0	7,0	7,0	7,0	5,0	5,0	5,0	
	II: 35 °C / 60 °C				7,0	7,0	7,0	7,0	5,0	5,0	5,0	5,0
	III: 50 °C / 72 °C				7,0	7,0	7,0	7,0	5,0	5,0	5,0	5,0
Diamond-drilling (water filled hole)												
Tem- perature range	I: 24 °C / 40 °C		$\tau_{Rk,cr}$	[N/mm <sup>2</sup> ]	6,0	6,0	6,0	6,0	5,0	5,0	5,0	
	II: 35 °C / 60 °C				6,0	6,0	6,0	6,0	5,0	5,0	5,0	5,0
	III: 50 °C / 72 °C				6,0	6,0	6,0	6,0	5,0	5,0	5,0	5,0
<b>Installation factors; Diamond-drilling</b>												
Dry or wet concrete		$\gamma_{inst}$	[-]	1,0								
Water filled hole				1,4								

<sup>1)</sup> Not allowed for hollow drill bit.

**fischer Injection System FIS EM PLUS**

**Performance**

Characteristic resistance to combined pull-out and concrete failure for reinforcing bars; working life 50 years part 2

**Annex C14**

Appendix 42 / 28

**Table C15.1: Characteristic resistance to combined pull-out and concrete failure for metric reinforcing bars in hammer or diamond drilled holes; uncracked concrete; working life 100 years**

Nominal diameter of the bar		$\phi$	8 <sup>1)</sup>	10	12	14	16	18	20	22	24		
<b>Combined pull-out and concrete cone failure</b>													
Calculation diameter		d	[mm]	8	10	12	14	16	18	20	22	24	
<b>Uncracked concrete</b>													
<b>Characteristic bond resistance in uncracked concrete C20/25</b>													
Hammer-drilling with standard drill bit or hollow drill bit (dry or wet concrete)													
Temperature range	I: 24 °C / 40 °C	$\tau_{RK,100,ucr}$	[N/mm <sup>2</sup> ]	12,0	13,8	13,2	12,7	12,3	12,0	11,6	11,5	11,2	
	II: 35 °C / 60 °C			12,0	11,3	11,3	10,5	10,5	9,8	9,8	9,8	9,8	9,0
	III: 50 °C / 72 °C			8,3	8,4	8,4	8,5	8,5	7,8	7,8	7,8	7,8	7,8
Hammer-drilling with standard drill bit or hollow drill bit (water filled hole)													
Temperature range	I: 24 °C / 40 °C	$\tau_{RK,100,ucr}$	[N/mm <sup>2</sup> ]	12,0	13,8	13,2	12,2	11,8	11,0	10,7	9,9	9,7	
	II: 35 °C / 60 °C			12,0	12,0	10,5	9,8	9,0	9,0	8,3	8,3	7,5	
	III: 50 °C / 72 °C			8,3	8,4	7,8	7,8	7,8	7,2	7,2	6,5	6,5	
<b>Installation factors; Hammer-drilling with standard drill bit or hollow drill bit</b>													
Dry or wet concrete		$\gamma_{inst}$	[-]	1,0									
Water filled hole				1,4									
Diamond-drilling (dry or wet concrete as well as water filled hole)													
Temperature range	I: 24 °C / 40 °C	$\tau_{RK,100,ucr}$	[N/mm <sup>2</sup> ]	12,0	11,3	9,8	9,0	9,0	8,3	7,5	7,5	7,5	
	II: 35 °C / 60 °C			12,0	11,3	9,8	9,0	9,0	8,3	7,5	7,5	7,5	
	III: 50 °C / 72 °C			8,3	8,4	7,2	7,2	7,2	6,5	6,5	5,9	5,9	
<b>Installation factors; Diamond-drilling</b>													
Dry or wet concrete		$\gamma_{inst}$	[-]	1,0									
Water filled hole				1,4									
Nominal diameter of the bar		$\phi$	25	26	28	30 <sup>1)</sup>	32 <sup>1)</sup>	34 <sup>1)</sup>	36 <sup>1)</sup>	40 <sup>1)</sup>			
<b>Combined pull-out and concrete cone failure</b>													
Calculation diameter		d	[mm]	25	26	28	30	32	34	36	40		
<b>Uncracked concrete</b>													
<b>Characteristic bond resistance in uncracked concrete C20/25</b>													
Hammer-drilling with standard drill bit or hollow drill bit (dry or wet concrete)													
Temperature range	I: 24 °C / 40 °C	$\tau_{RK,100,ucr}$	[N/mm <sup>2</sup> ]	11,1	10,9	10,8	10,6	10,5	10,3	10,1	9,9		
	II: 35 °C / 60 °C			9,0	9,0	9,0	9,0	9,0	8,3	8,3	8,3		
	III: 50 °C / 72 °C			7,2	7,2	7,2	7,2	7,2	7,2	6,5	6,5		
Hammer-drilling with standard drill bit or hollow drill bit (water filled hole)													
Temperature range	I: 24 °C / 40 °C	$\tau_{RK,100,ucr}$	[N/mm <sup>2</sup> ]	9,4	9,3	8,7	8,6	8,5	6,8	6,0	6,0		
	II: 35 °C / 60 °C			7,5	7,5	7,5	6,8	6,8	6,8	6,0	6,0		
	III: 50 °C / 72 °C			5,9	5,9	5,9	5,9	5,2	5,2	5,2	5,2		
<b>Installation factors; Hammer-drilling with standard drill bit or hollow drill bit</b>													
Dry or wet concrete		$\gamma_{inst}$	[-]	1,0									
Water filled hole				1,4									
Diamond-drilling (dry or wet concrete as well as water filled hole)													
Temperature range	I: 24 °C / 40 °C	$\tau_{RK,100,ucr}$	[N/mm <sup>2</sup> ]	6,8	6,8	6,8	6,8	6,0	6,0	6,0	5,3		
	II: 35 °C / 60 °C			6,8	6,8	6,8	6,8	6,0	6,0	6,0	6,0	5,3	
	III: 50 °C / 72 °C			5,9	5,2	5,2	5,2	5,2	4,6	4,6	4,6		
<b>Installation factors; Diamond-drilling</b>													
Dry or wet concrete		$\gamma_{inst}$	[-]	1,0									
Water filled hole				1,4									

<sup>1)</sup> Not allowed for hollow drill bit.

**fischer Injection System FIS EM PLUS**

**Performance**

Characteristic resistance to combined pull-out and concrete failure for reinforcing bars; working life 100 years

**Annex C15**

Appendix 43 / 28

**Table C16.1: Characteristic resistance to combined pull-out and concrete failure for metric reinforcing bars in hammer or diamond drilled holes; cracked concrete; working life 100 years**

Nominal diameter of the bar		$\phi$	8 <sup>1)</sup>	10	12	14	16	18	20	22	24		
<b>Combined pull-out and concrete cone failure</b>													
Calculation diameter		d	[mm]	8	10	12	14	16	18	20	22	24	
<b>Cracked concrete</b>													
<b>Characteristic bond resistance in cracked concrete C20/25</b>													
Hammer-drilling with standard drill bit or hollow drill bit (dry or wet concrete)													
Temperature range	I: 24 °C / 40 °C	$\tau_{Rk,100,cr}$	[N/mm <sup>2</sup> ]	4,2	6,0	6,4	5,2	5,2	5,2	5,2	5,2	5,2	
	II: 35 °C / 60 °C			4,2	6,0	6,4	5,2	5,2	5,2	5,2	5,2	5,2	5,2
	III: 50 °C / 72 °C			4,2	6,0	6,4	5,2	5,2	5,2	5,2	5,2	5,2	5,2
Hammer-drilling with standard drill bit or hollow drill bit (water filled hole)													
Temperature range	I: 24 °C / 40 °C	$\tau_{Rk,100,cr}$	[N/mm <sup>2</sup> ]	3,6	6,4	5,2	4,2	4,2	3,9	3,9	3,9	3,9	
	II: 35 °C / 60 °C			3,6	6,4	5,2	4,2	4,2	3,9	3,9	3,9	3,9	3,9
	III: 50 °C / 72 °C			3,6	5,5	5,2	3,9	3,9	3,9	3,9	3,9	3,9	3,9
<b>Installation factors; Hammer-drilling with standard drill bit or hollow drill bit</b>													
Dry or wet concrete		$\gamma_{inst}$	[-]	1,0									
Water filled hole				1,2				1,4					
Diamond-drilling (dry or wet concrete)													
Temperature range	I: 24 °C / 40 °C	$\tau_{Rk,100,cr}$	[N/mm <sup>2</sup> ]	4,2	6,0	5,6	4,6	3,9	3,9	3,9	4,6	4,6	
	II: 35 °C / 60 °C			4,2	6,0	5,6	4,6	3,9	3,9	3,9	4,6	4,6	
	III: 50 °C / 72 °C			4,2	6,0	5,6	4,6	3,9	3,9	3,9	4,6	4,6	
<b>Installation factor; Diamond-drilling</b>													
Dry or wet concrete		$\gamma_{inst}$	[-]	1,0									
Nominal diameter of the bar		$\phi$		25	26	28	30 <sup>1)</sup>	32 <sup>1)</sup>	34 <sup>1)</sup>	36 <sup>1)</sup>	40 <sup>1)</sup>		
<b>Combined pull-out and concrete cone failure</b>													
Calculation diameter		d	[mm]	25	26	28	30	32	34	36	40		
<b>Cracked concrete</b>													
<b>Characteristic bond resistance in cracked concrete C20/25</b>													
Hammer-drilling with standard drill bit or hollow drill bit (dry or wet concrete)													
Temperature range	I: 24 °C / 40 °C	$\tau_{Rk,100,cr}$	[N/mm <sup>2</sup> ]	5,2	5,2	5,2	5,2	5,2	5,2	5,2	5,2	5,2	
	II: 35 °C / 60 °C			5,2	5,2	5,2	5,2	5,2	5,2	5,2	5,2	5,2	
	III: 50 °C / 72 °C			5,2	5,2	5,2	5,2	5,2	5,2	5,2	5,2	5,2	
Hammer-drilling with standard drill bit or hollow drill bit (water filled hole)													
Temperature range	I: 24 °C / 40 °C	$\tau_{Rk,100,cr}$	[N/mm <sup>2</sup> ]	3,9	3,9	3,9	3,9	3,3	3,8	3,8	3,8		
	II: 35 °C / 60 °C			3,9	3,9	3,9	3,9	3,3	3,8	3,8	3,8		
	III: 50 °C / 72 °C			3,9	3,9	3,9	3,9	3,3	3,3	3,3	3,3		
<b>Installation factors; Hammer-drilling with standard drill bit or hollow drill bit</b>													
Dry or wet concrete		$\gamma_{inst}$	[-]	1,0									
Water filled hole				1,4									
Diamond-drilling (dry or wet concrete)													
Temperature range	I: 24 °C / 40 °C	$\tau_{Rk,100,cr}$	[N/mm <sup>2</sup> ]	4,6	4,6	4,6	4,6	3,3	3,3	3,3	3,3		
	II: 35 °C / 60 °C			4,6	4,6	4,6	4,6	3,3	3,3	3,3	3,3		
	III: 50 °C / 72 °C			4,6	4,6	4,6	4,6	3,3	3,3	3,3	3,3		
<b>Installation factor; Diamond-drilling</b>													
Dry or wet concrete		$\gamma_{inst}$	[-]	1,0									

<sup>1)</sup> Not allowed for hollow drill bit.

**fischer Injection System FIS EM PLUS**

**Performance**

Characteristic resistance for combined pull-out and concrete failure for reinforcing bars; working life 100 years

**Annex C16**

Appendix 44 / 28

**Table C17.1: Characteristic resistance to combined pull-out and concrete failure for metric fischer FRA in hammer or diamond drilled holes; uncracked concrete; working life 50 years**

fischer FRA		M12	M16	M20	M24	
<b>Combined pull-out and concrete cone failure</b>						
Calculation diameter	d [mm]	12	16	20	25	
<b>Uncracked concrete</b>						
<b>Characteristic bond resistance in uncracked concrete C20/25</b>						
Hammer-drilling with standard drill bit or hollow drill bit (dry or wet concrete)						
Temperature range	I: 24 °C / 40 °C	$\tau_{Rk,ucr}$ [N/mm <sup>2</sup> ]	16,1	15,0	14,2	13,5
	II: 35 °C / 60 °C		15,0	14,0	13,0	12,0
	III: 50 °C / 72 °C		14,0	13,0	12,0	11,0
Hammer-drilling with standard drill bit or hollow drill bit (water filled hole)						
Temperature range	I: 24 °C / 40 °C	$\tau_{Rk,ucr}$ [N/mm <sup>2</sup> ]	16,1	14,4	13,0	11,5
	II: 35 °C / 60 °C		14,0	12,0	11,0	10,0
	III: 50 °C / 72 °C		13,0	12,0	11,0	9,0
<b>Installation factors; Hammer-drilling with standard drill bit or hollow drill bit</b>						
Dry or wet concrete		$\gamma_{inst}$ [-]	1,0			
Water filled hole			1,4			
Diamond-drilling (dry or wet concrete as well as water filled hole)						
Temperature range	I: 24 °C / 40 °C	$\tau_{Rk,ucr}$ [N/mm <sup>2</sup> ]	13,0	12,0	10,0	9,0
	II: 35 °C / 60 °C		13,0	12,0	10,0	9,0
	III: 50 °C / 72 °C		12,0	11,0	10,0	9,0
<b>Installation factors; Diamond-drilling</b>						
Dry or wet concrete		$\gamma_{inst}$ [-]	1,0			
Water filled hole			1,4			

**fischer Injection System FIS EM PLUS**

**Performance**

Characteristic resistance to combined pull-out and concrete failure for fischer FRA; working life 50 years

**Annex C17**

Appendix 45 / 28

**Table C18.1: Characteristic resistance to combined pull-out and concrete failure for metric fischer FRA in hammer or diamond drilled holes; cracked concrete; working life 50 years**

fischer FRA		M12	M16	M20	M24	
<b>Combined pull-out and concrete cone failure</b>						
Calculation diameter	d [mm]	12	16	20	25	
<b>Cracked concrete</b>						
<b>Characteristic bond resistance in cracked concrete C20/25</b>						
Hammer-drilling with standard drill bit or hollow drill bit (dry or wet concrete)						
Temperature range	I: 24 °C / 40 °C	$\tau_{Rk,cr}$ [N/mm <sup>2</sup> ]	8,0	8,0	8,0	8,0
	II: 35 °C / 60 °C		8,0	8,0	8,0	8,0
	III: 50 °C / 72 °C		8,0	8,0	8,0	8,0
Hammer-drilling with standard drill bit or hollow drill bit (water filled hole)						
Temperature range	I: 24 °C / 40 °C	$\tau_{Rk,cr}$ [N/mm <sup>2</sup> ]	6,5	6,5	6,0	6,0
	II: 35 °C / 60 °C		6,5	6,5	6,0	6,0
	III: 50 °C / 72 °C		6,5	6,0	6,0	6,0
<b>Installation factors; Hammer-drilling with standard drill bit or hollow drill bit</b>						
Dry or wet concrete	$\gamma_{inst}$ [-]	[-]	1,0			
Water filled hole			1,2	1,4		
Diamond-drilling (dry or wet concrete)						
Temperature range	I: 24 °C / 40 °C	$\tau_{Rk,cr}$ [N/mm <sup>2</sup> ]	7,0	6,0	6,0	7,0
	II: 35 °C / 60 °C		7,0	6,0	6,0	7,0
	III: 50 °C / 72 °C		7,0	6,0	6,0	7,0
Diamond-drilling (water filled hole)						
Temperature range	I: 24 °C / 40 °C	$\tau_{Rk,cr}$ [N/mm <sup>2</sup> ]	6,5	6,5	6,0	6,0
	II: 35 °C / 60 °C		6,5	6,5	6,0	6,0
	III: 50 °C / 72 °C		6,5	6,0	6,0	6,0
<b>Installation factors; Diamond-drilling</b>						
Dry or wet concrete	$\gamma_{inst}$ [-]	[-]	1,0			
Water filled hole			1,2	1,4		

**fischer Injection System FIS EM PLUS**

**Performance**

Characteristic resistance to combined pull-out and concrete failure for fischer FRA; working life 50 years

**Annex C18**

Appendix 46 / 28

**Table C19.1: Characteristic resistance to combined pull-out and concrete failure for metric fischer FRA in hammer or diamond drilled holes; uncracked or cracked concrete; working life 100 years**

fischer FRA			M12	M16	M20	M24
<b>Combined pull-out and concrete cone failure</b>						
Calculation diameter	d	[mm]	12	16	20	25
<b>Uncracked concrete</b>						
<b>Characteristic bond resistance in uncracked concrete C20/25</b>						
Hammer-drilling with standard drill bit or hollow drill bit (dry or wet concrete)						
Temperature range	I: 24 °C / 40 °C	$\tau_{Rk,100,ucr}$ [N/mm <sup>2</sup> ]	13,2	12,3	11,6	11,1
	II: 35 °C / 60 °C		11,3	10,5	9,8	9,0
	III: 50 °C / 72 °C		8,4	8,5	7,8	7,2
Hammer-drilling with standard drill bit or hollow drill bit (water filled hole)						
Temperature range	I: 24 °C / 40 °C	$\tau_{Rk,100,ucr}$ [N/mm <sup>2</sup> ]	13,2	11,8	10,7	9,4
	II: 35 °C / 60 °C		10,5	9,0	8,3	7,5
	III: 50 °C / 72 °C		7,8	7,8	7,2	5,9
<b>Installation factors; Hammer-drilling with standard drill bit or hollow drill bit</b>						
Dry or wet concrete	$\gamma_{inst}$	[-]	1,0			
Water filled hole			1,4			
Diamond-drilling (dry or wet concrete as well as water filled hole)						
Temperature range	I: 24 °C / 40 °C	$\tau_{Rk,100,ucr}$ [N/mm <sup>2</sup> ]	9,8	9,0	7,5	6,8
	II: 35 °C / 60 °C		9,8	9,0	7,5	6,8
	III: 50 °C / 72 °C		7,2	7,2	6,5	5,9
<b>Installation factors; Diamond-drilling</b>						
Dry or wet concrete	$\gamma_{inst}$	[-]	1,0			
Water filled hole			1,4			
fischer FRA			M12	M16	M20	M24
<b>Combined pull-out and concrete cone failure</b>						
Calculation diameter	d	[mm]	12	16	20	25
<b>Cracked concrete</b>						
<b>Characteristic bond resistance in cracked concrete C20/25</b>						
Hammer-drilling with standard drill bit or hollow drill bit (dry or wet concrete)						
Temperature range	I: 24 °C / 40 °C	$\tau_{Rk,100,cr}$ [N/mm <sup>2</sup> ]	6,4	5,2	5,2	5,2
	II: 35 °C / 60 °C		6,4	5,2	5,2	5,2
	III: 50 °C / 72 °C		6,4	5,2	5,2	5,2
Hammer-drilling with standard drill bit or hollow drill bit (water filled hole)						
Temperature range	I: 24 °C / 40 °C	$\tau_{Rk,100,cr}$ [N/mm <sup>2</sup> ]	5,2	4,2	3,9	3,9
	II: 35 °C / 60 °C		5,2	4,2	3,9	3,9
	III: 50 °C / 72 °C		5,2	3,9	3,9	3,9
<b>Installation factors; Hammer-drilling with standard drill bit or hollow drill bit</b>						
Dry or wet concrete	$\gamma_{inst}$	[-]	1,0			
Water filled hole			1,2	1,4		
Diamond-drilling (dry or wet concrete)						
Temperature range	I: 24 °C / 40 °C	$\tau_{Rk,100,cr}$ [N/mm <sup>2</sup> ]	5,6	3,9	3,9	4,6
	II: 35 °C / 60 °C		5,6	3,9	3,9	4,6
	III: 50 °C / 72 °C		5,6	3,9	3,9	4,6
<b>Installation factors; Diamond-drilling</b>						
Dry or wet concrete	$\gamma_{inst}$	[-]	1,0			

**fischer Injection System FIS EM PLUS**

**Performance**

Characteristic resistance to combined pull-out and concrete failure for fischer FRA; working life 100 years

**Annex C19**

Appendix 47 / 28

**Table C20.1: Displacements for metric Anchor rods / Threaded rods and metric fischer FIS IG**

Anchor rod / Threaded rod	M8	M10	M12	M14	M16	M20	M22	M24	M27	M30
fischer FIS IG	-	-	M8	-	M10	M12	-	M16	-	M20

**Displacement-Factors for tension loading <sup>1)</sup>**

**Uncracked or cracked concrete; Temperature range I, II, III**

$\delta_{N0}$ -Factor	[mm/(N/mm <sup>2</sup> )]	M8	M10	M12	M14	M16	M20	M22	M24	M27	M30
$\delta_{N\infty}$ -Factor		0,07	0,08	0,09	0,09	0,10	0,11	0,11	0,12	0,12	0,13
		0,11	0,12	0,13	0,14	0,15	0,16	0,17	0,18	0,19	0,19

**Displacement-Factors for shear loading <sup>2)</sup>**

**Uncracked or cracked concrete; Temperature range I, II, III**

$\delta_{V0}$ -Factor	[mm/kN]	M8	M10	M12	M14	M16	M20	M22	M24	M27	M30
$\delta_{V\infty}$ -Factor		0,18	0,15	0,12	0,10	0,09	0,07	0,07	0,06	0,05	0,05
		0,27	0,22	0,18	0,16	0,14	0,11	0,10	0,09	0,08	0,07

1) Calculation of effective displacement:

$$\delta_{N0} = \delta_{N0\text{-Factor}} \cdot \tau$$

$$\delta_{N\infty} = \delta_{N\infty\text{-Factor}} \cdot \tau$$

$\tau$  = acting bond strength under tension loading

2) Calculation of effective displacement:

$$\delta_{V0} = \delta_{V0\text{-Factor}} \cdot V$$

$$\delta_{V\infty} = \delta_{V\infty\text{-Factor}} \cdot V$$

$V$  = acting shear loading

**Table C20.2: Displacements for metric fischer RG M I**

fischer RG M I	M8	M10	M12	M16	M20	
<b>Displacement-Factors for tension loading <sup>1)</sup></b>						
<b>Uncracked or cracked concrete; Temperature range I, II, III</b>						
$\delta_{N0}$ -Factor	[mm/(N/mm <sup>2</sup> )]	0,09	0,10	0,10	0,11	0,13
$\delta_{N\infty}$ -Factor		0,13	0,15	0,16	0,17	0,19

**Displacement-Factors for shear loading <sup>2)</sup>**

**Uncracked or cracked concrete; Temperature range I, II, III**

$\delta_{V0}$ -Factor	[mm/kN]	M8	M10	M12	M16	M20
$\delta_{V\infty}$ -Factor		0,12	0,09	0,08	0,07	0,05
		0,18	0,14	0,12	0,10	0,08

1) Calculation of effective displacement:

$$\delta_{N0} = \delta_{N0\text{-Factor}} \cdot \tau$$

$$\delta_{N\infty} = \delta_{N\infty\text{-Factor}} \cdot \tau$$

$\tau$  = acting bond strength under tension loading

2) Calculation of effective displacement:

$$\delta_{V0} = \delta_{V0\text{-Factor}} \cdot V$$

$$\delta_{V\infty} = \delta_{V\infty\text{-Factor}} \cdot V$$

$V$  = acting shear loading

**fischer Injection System FIS EM PLUS**

**Performance**

Displacements for metric Anchor rods / Threaded rods and fischer RG M I / FIS IG

**Annex C20**

**Table C21.1: Displacements for metric reinforcing bars**

Nominal diameter of the bar	$\phi$	8	10	12	14	16	18	20	22	24	25	26	28	30	32	34	36	40	
<b>Displacement-Factors for tension loading <sup>1)</sup></b>																			
<b>Uncracked or cracked concrete; Temperature range I, II, III</b>																			
$\delta_{N0}$ -Factor	[mm/(N/mm <sup>2</sup> )]	0,07	0,08	0,09	0,09	0,10	0,10	0,11	0,11	0,12	0,12	0,12	0,13	0,13	0,13	0,14	0,14	0,15	
$\delta_{N\infty}$ -Factor		0,11	0,12	0,13	0,14	0,15	0,16	0,16	0,17	0,18	0,18	0,18	0,19	0,19	0,20	0,20	0,21	0,22	
<b>Displacement-Factors for shear loading <sup>2)</sup></b>																			
<b>Uncracked or cracked concrete; Temperature range I, II, III</b>																			
$\delta_{V0}$ -Factor	[mm/kN]	0,18	0,15	0,12	0,10	0,09	0,08	0,07	0,07	0,06	0,06	0,06	0,05	0,05	0,05	0,04	0,04	0,04	
$\delta_{V\infty}$ -Factor		0,27	0,22	0,18	0,16	0,14	0,12	0,11	0,10	0,09	0,09	0,08	0,08	0,07	0,07	0,06	0,06	0,05	
1) Calculation of effective displacement:										2) Calculation of effective displacement:									
$\delta_{N0} = \delta_{N0\text{-Factor}} \cdot \tau$										$\delta_{V0} = \delta_{V0\text{-Factor}} \cdot V$									
$\delta_{N\infty} = \delta_{N\infty\text{-Factor}} \cdot \tau$										$\delta_{V\infty} = \delta_{V\infty\text{-Factor}} \cdot V$									
$\tau =$ acting bond strength under tension loading										$V =$ acting shear loading									

**Table C21.2: Displacements for metric fischer FRA**

fischer FRA	M12	M16	M20	M24	
<b>Displacement-Factors for tension loading <sup>1)</sup></b>					
<b>Uncracked or cracked concrete; Temperature range I, II, III</b>					
$\delta_{N0}$ -Factor	0,09		0,10	0,11	0,12
$\delta_{N\infty}$ -Factor	0,13		0,15	0,16	0,18
<b>Displacement-Factors for shear loading <sup>2)</sup></b>					
<b>Uncracked or cracked concrete; Temperature range I, II, III</b>					
$\delta_{V0}$ -Factor	0,12		0,09	0,07	0,06
$\delta_{V\infty}$ -Factor	0,18		0,14	0,11	0,09
1) Calculation of effective displacement:			2) Calculation of effective displacement:		
$\delta_{N0} = \delta_{N0\text{-Factor}} \cdot \tau$			$\delta_{V0} = \delta_{V0\text{-Factor}} \cdot V$		
$\delta_{N\infty} = \delta_{N\infty\text{-Factor}} \cdot \tau$			$\delta_{V\infty} = \delta_{V\infty\text{-Factor}} \cdot V$		
$\tau =$ acting bond strength under tension loading			$V =$ acting shear loading		

**fischer Injection System FIS EM PLUS****Performance**

Displacements for reinforcing bars and fischer FRA

**Annex C21**

Appendix 49 / 28

**Table C22.1: Characteristic resistance to steel failure under tension loading for fractional Threaded rods part 1**

Threaded rod		3/8"	1/2"	5/8"	3/4"	7/8"	1"	1 1/8"		
<b>Characteristic resistance to steel failure under tension loading</b>										
Characteristic resistance $N_{Rk,s}$	Steel zinc plated	F568M, Class 5.8	[kN]	25,0	45,7	72,9	107,9	148,9	195,4	246,0
		F1554, Grade 36		19,9	36,5	58,3	86,2	119,1	156,2	196,7
		F1554, Grade 55		25,8	47,3	75,3	111,5	154,0	202,0	254,4
		F1554, Grade 105		43,0	78,8	125,6	185,9	256,7	336,8	424,0
		A193, B7		43,0	78,8	125,6	185,9	256,7	336,8	424,0
	Stainless steel R	F593, Alloy Group 2		34,4	63,0	100,5	126,4	174,5	229,0	288,3
		A193, Grade B8M, Class 1		25,8	47,3	75,3	111,5	154,0	202,0	254,4
		A193, Grade B8M, Class 2B		32,7	59,9	95,4	141,3	195,1	255,9	322,2

**Partial factors <sup>1)</sup>**

Partial factor $\gamma_{Ms,N}$	Steel zinc plated	F568M, Class 5.8	[-]	1,50		
		F1554, Grade 36		1,94		
		F1554, Grade 55		1,64		
		F1554, Grade 105		1,43		
		A193, B7		1,43		
	Stainless steel R	F593, Alloy Group 2		1,85	2,27	
		A193, Grade B8M, Class 1		3,00		
		A193, Grade B8M, Class 2B		1,52		

<sup>1)</sup> In absence of other national regulations.

**Table C23.1: Characteristic resistance to steel failure under shear loading for fractional Threaded rods part 2**

Threaded rod		3/8	1/2"	5/8"	3/4"	7/8"	1"	1 1/8"		
<b>Characteristic resistance to steel failure under shear loading</b>										
<b>Without lever arm</b>										
Characteristic resistance $V_{Rk,s}^0$	Steel zinc plated	F568M, Class 5.8	[kN]	15,0	27,4	43,7	64,7	89,3	117,2	147,6
		F1554, Grade 36		11,9	21,9	34,9	51,7	71,4	93,7	118,0
		F1554, Grade 55		12,9	23,6	37,6	55,7	77,0	101,0	127,2
		F1554, Grade 105		21,5	39,4	62,8	92,9	128,3	168,4	212,0
	Stainless steel R	A193, B7		21,5	39,4	62,8	92,9	128,3	168,4	212,0
		F593, Alloy Group 2		17,2	31,5	50,2	63,2	87,2	114,5	144,1
		A193, Grade B8M, Class 1		12,9	23,6	37,6	55,7	77,0	101,0	127,2
		A193, Grade B8M, Class 2B		16,3	29,9	47,7	70,6	97,5	127,9	161,1
Ductility factor		$k_7$	[-]	1,0						
<b>With lever arm</b>										
Charact. resistance $M_{Rk,s}^0$	Steel zinc plated	F568M, Class 5.8	[Nm]	29,9	74,0	148,9	268,2	435,1	653,8	923,5
		F1554, Grade 36		23,9	59,2	119,1	214,5	348,0	522,9	738,6
		F1554, Grade 55		30,9	76,6	154,0	277,4	450,0	676,1	955,1
		F1554, Grade 105		51,5	127,6	256,8	462,4	750,0	1126,9	1591,9
	Stainless steel R	A193, B7		51,5	127,6	256,8	462,4	750,0	1126,9	1591,9
		F593, Alloy Group 2		41,2	102,1	205,4	314,4	510,0	766,3	1082,5
		A193, Grade B8M, Class 1		30,9	76,6	154,0	277,4	450,0	676,1	955,1
		A193, Grade B8M, Class 2B		39,1	97,0	195,1	351,4	570,0	856,4	1209,8
<b>Partial factors <sup>1)</sup></b>										
Partial factor $\gamma_{Ms,V}$	Steel zinc plated	F568M, Class 5.8	[-]	1,25						
		F1554, Grade 36		1,61						
		F1554, Grade 55		1,36						
		F1554, Grade 105		1,50						
	Stainless steel R	A193, B7		1,50						
		F593, Alloy Group 2		1,54				1,89		
		A193, Grade B8M, Class 1		2,50						
		A193, Grade B8M, Class 2B		1,27						

<sup>1)</sup> In absence of other national regulations.

**fischer Injection System FIS EM PLUS**

**Performance**

Characteristic resistance to steel failure under tension / shear loading for fractional Anchor rods / Threaded rods part 2

**Annex C23**

Appendix 51 / 28

**Table C24.1: Characteristic resistance to steel failure under tension loading for fractional fischer RG M I part 1**

fischer RG M I		3/8"	1/2"	5/8"	3/4"		
<b>Characteristic resistance to steel failure under tension loading</b>							
Characteristic resistance with Screw or Threaded rod $N_{Rk,s}$	Steel zinc plated	F568M, Class 5.8	[kN]	25,0	45,7	72,9	107,9
		F1554, Grade 36		20,0	36,6	58,3	86,3
		F1554, Grade 55		25,8	47,3	75,3	111,5
		F1554, Grade 105		43,1	76,4	110,8	186,0
	Stainless steel R	A193, B7		43,1	76,4	110,8	186,0
		F593, Alloy Group 2		34,4	63,0	100,4	126,4
		A193, Grade B8M, Class 1		25,8	47,3	75,3	111,5
		A193, Grade B8M, Class 2B		32,7	59,9	95,4	141,3

<b>Partial factors <sup>1)</sup></b>						
Partial factor $\gamma_{Ms,N}$	Steel zinc plated	F568M, Class 5.8	[-]	1,50		
		F1554, Grade 36		1,94		
		F1554, Grade 55		1,64		
		F1554, Grade 105		1,43	1,50	
	Stainless steel R	A193, B7		1,43	1,50	
		F593, Alloy Group 2		1,85		2,27
		A193, Grade B8M, Class 1		3,00		
		A193, Grade B8M, Class 2B		1,52		

<sup>1)</sup> In absence of other national regulations.

**Table C25.1: Characteristic resistance to steel failure under shear loading for fractional fischer RG M I part 2**

fischer RG M I		3/8"	1/2"	5/8"	3/4"		
<b>Characteristic resistance to steel failure under shear loading</b>							
<b>Without lever arm</b>							
Characteristic resistance with Screw or Threaded rod $V_{Rk,s}^0$	Steel zinc plated	F568M, Class 5.8	[kN]	15,0	27,4	43,7	64,7
		F1554, Grade 36		11,9	21,9	34,9	51,7
		F1554, Grade 55		12,9	23,6	37,6	55,7
		F1554, Grade 105		21,5	39,4	62,8	92,9
	Stainless steel R	A193, B7		21,5	39,4	62,8	92,9
		F593, Alloy Group 2		17,2	31,5	50,2	63,2
		A193, Grade B8M, Class 1		12,9	23,6	37,6	55,7
		A193, Grade B8M, Class 2B		16,3	29,9	47,7	70,6
Ductility factor		$k_7$	[-]	1,0			
<b>With lever arm</b>							
Characteristic resistance with Screw or Threaded rod $M_{Rk,s}^0$	Steel zinc plated	F568M, Class 5.8	[Nm]	29,9	74,0	148,9	268,2
		F1554, Grade 36		23,9	59,2	119,1	214,5
		F1554, Grade 55		30,9	76,6	154,0	277,4
		F1554, Grade 105		51,5	127,6	256,8	462,4
	Stainless steel R	A193, B7		51,5	127,6	256,8	462,4
		F593, Alloy Group 2		41,2	102,1	205,4	314,4
		A193, Grade B8M, Class 1		30,9	76,6	154,0	277,4
		A193, Grade B8M, Class 2B		39,1	97,0	195,1	351,4
<b>Partial factors <sup>1)</sup></b>							
Partial factort $\gamma_{Ms,V}$	Steel zinc plated	F568M, Class 5.8	[-]	1,25			
		F1554, Grade 36		1,61			
		F1554, Grade 55		1,36			
		F1554, Grade 105		1,50			
	Stainless steel R	A193, B7		1,50			
		F593, Alloy Group 2		1,54	1,89		
		A193, Grade B8M, Class 1		2,50			
		A193, Grade B8M, Class 2B		1,27			

<sup>1)</sup> In absence of other national regulations.

**fischer Injection System FIS EM PLUS**

**Performance**

Characteristic resistance to steel failure under shear loading for fractional fischer RG M I part 2

**Annex C25**

Appendix 53 / 28

**Table C26.1: Characteristic resistance to steel failure under tension / shear loading for fractional reinforcing bars**

Rebar size	#3	#4	#5	#6	#7	#8	#9	#10 <sup>1)</sup>
<b>Characteristic resistance to steel failure under tension loading</b>								
Characteristic resistance	$N_{Rk,s}$	[kN]	$A_s \cdot f_{uk}^{2)}$					
<b>Characteristic resistance to steel failure under shear loading</b>								
<b>Without lever arm</b>								
Characteristic resistance	$V_{Rk,s}^0$	[kN]	$k_6^{3)} \cdot A_s \cdot f_{uk}^{2)}$					
Ductility factor	$k_7$	[-]	1,0					
<b>With lever arm</b>								
Characteristic resistance	$M_{Rk,s}^0$	[Nm]	$1,2 \cdot W_{el} \cdot f_{uk}^{2)}$					

1) Not allowed for hollow drill bit.

2)  $f_{uk}$  respectively shall be taken from the specifications of the reinforcing bar.

3) In accordance with EN 1992-4:2018 section 7.2.2.3.1:

- $k_6 = 0,6$  for fasteners made of carbon steel with  $f_{uk} \leq 500 \text{ N/mm}^2$ ,
- $= 0,5$  for fasteners made of carbon steel with  $500 \text{ N/mm}^2 < f_{uk} \leq 1000 \text{ N/mm}^2$ ,
- $= 0,5$  for fasteners made of stainless steel.

**fischer Injection System FIS EM PLUS**

**Performance**

Characteristic resistance to steel failure under tension / shear loading for reinforcing bars

**Annex C26**

Appendix 54 / 28

**Table C27.1: Characteristic resistance for concrete failure under tension / shear loading for fractional sizes**

Size		All sizes								
<b>Characteristic resistance to concrete failure under tension loading</b>										
Installation factor	$\gamma_{inst}$	[-]	See Annex C28 to C37, C49 and C50							
<b>Factors for the compressive strength of concrete &gt; C20/25</b>										
Increasing factor $\psi_c$ for cracked or uncracked concrete $\tau_{Rk(X,Y)} = \psi_c \cdot \tau_{Rk(C20/25)}$	C25/30	$\psi_c$	[-]	1,02						
	C30/37			1,04						
	C35/45			1,06						
	C40/50			1,07						
	C45/55			1,08						
	C50/60			1,09						
<b>Splitting failure</b>										
Edge distance	$h / h_{ef} \geq 2,0$	$C_{cr,sp}$	[mm]	1,0 $h_{ef}$						
	$2,0 > h / h_{ef} > 1,3$			4,6 $h_{ef}$ - 1,8 h						
	$h / h_{ef} \leq 1,3$			2,26 $h_{ef}$						
Spacing	$S_{cr,sp}$			2 $c_{cr,sp}$						
<b>Concrete cone failure</b>										
Uncracked concrete	$k_{ucr,N}$	[-]	11,0 <sup>1)</sup>							
Cracked concrete	$k_{cr,N}$		7,7 <sup>1)</sup>							
Edge distance	$C_{cr,N}$	[mm]	1,5 $h_{ef}$							
Spacing	$S_{cr,N}$		2 $c_{cr,N}$							
<b>Factors for sustained tension loading</b>										
Temperature range			24 °C / 40 °C		35 °C / 60 °C		50 °C / 72 °C			
Factor	$\psi_{sus}^0$	[-]	1,0		1,0		0,7			
Factor	$\psi_{sus,100}^0$	[-]	1,0		1,0		1,0			
<b>Characteristic resistance to concrete failure under shear loading</b>										
Installation factor	$\gamma_{inst}$	[-]	1,0							
<b>Concrete pry-out failure</b>										
Factor for pry-out failure	$k_8$	[-]	2,0							
<b>Concrete edge failure</b>										
Effective length of fastener in shear loading	$l_f$	[mm]	for $d_{nom} \leq 24$ mm: min ( $h_{ef}$ ; 12 $d_{nom}$ ) for $d_{nom} > 24$ mm: min ( $h_{ef}$ ; max (8 $d_{nom}$ ; 300 mm))							
<b>Calculation diameters</b>										
Size			3/8"	1/2"	5/8"	3/4"	7/8"	1"	1 1/8"	
Anchor rods and Threaded rods	$d_{nom}$	[mm]	9,5	12,7	15,9	19,1	22,2	25,4	28,6	
fischer RG M I	$d_{nom}$		15,7	18,0	22,0	28,0	-2)	-2)	-2)	
Rebar size			#3	#4	#5	#6	#7	#8	#9	#10
Reinforcing bar	$d_{nom}$	[mm]	9,5	12,7	15,9	19,1	22,2	25,4	28,7	32,3

1) Values only valid when using SI units.

2) Anchor type not part of the assessment.

**fischer Injection System FIS EM PLUS**

**Performance**

Characteristic resistance for concrete failure under tension / shear loading for fractional sizes

**Annex C27**

Appendix 55 / 28

**Table C28.1: Characteristic resistance to combined pull-out and concrete failure for fractional Threaded rods in hammer or diamond drilled holes; uncracked concrete; working life 50 years**

Threaded rod			3/8"	1/2"	5/8"	3/4"	7/8"	1"	1 1/8"		
<b>Combined pull-out and concrete cone failure</b>											
Calculation diameter	d	[mm]	9,5	12,7	15,9	19,1	22,2	25,4	28,6		
<b>Uncracked concrete</b>											
<b>Characteristic bond resistance in uncracked concrete C20/25</b>											
Hammer-drilling with standard drill bit or hollow drill bit (dry or wet concrete)											
Tem- perature range	I: 24 °C / 40 °C		$\tau_{Rk,ucr}$	[N/mm <sup>2</sup> ]	20,0	18,6	17,7	16,8	16,2	15,8	15,3
	II: 35 °C / 60 °C				18,0	18,0	17,0	16,0	15,0	15,0	14,0
	III: 50 °C / 72 °C				17,0	17,0	16,0	15,0	14,0	14,0	13,0
Hammer-drilling with standard drill bit or hollow drill bit (water filled hole)											
Tem- perature range	I: 24 °C / 40 °C		$\tau_{Rk,ucr}$	[N/mm <sup>2</sup> ]	20,0	18,6	17,0	15,4	14,3	13,7	12,8
	II: 35 °C / 60 °C				16,0	15,0	13,0	11,0	11,0	10,0	9,0
	III: 50 °C / 72 °C				14,0	14,0	12,0	11,0	10,0	9,0	9,0
<b>Installation factors; Hammer-drilling with standard drill bit or hollow drill bit</b>											
Dry or wet concrete		$\gamma_{inst}$	[-]	1,0							
Water filled hole				1,4							
Diamond-drilling (dry or wet concrete)											
Tem- perature range	I: 24 °C / 40 °C		$\tau_{Rk,ucr}$	[N/mm <sup>2</sup> ]	14,4	13,3	12,3	11,8	11,3	10,8	10,3
	II: 35 °C / 60 °C				15,0	13,0	12,0	10,0	10,0	9,0	9,0
	III: 50 °C / 72 °C				14,0	12,0	11,0	10,0	9,0	8,0	8,0
Diamond-drilling (water filled hole)											
Tem- perature range	I: 24 °C / 40 °C		$\tau_{Rk,ucr}$	[N/mm <sup>2</sup> ]	17,3	15,0	13,6	12,4	11,5	10,8	10,1
	II: 35 °C / 60 °C				15,0	13,0	12,0	10,0	10,0	9,0	9,0
	III: 50 °C / 72 °C				14,0	12,0	11,0	10,0	9,0	8,0	8,0
<b>Installation factors; Diamond-drilling</b>											
Dry or wet concrete		$\gamma_{inst}$	[-]	1,0							
Water filled hole				1,4							

**fischer Injection System FIS EM PLUS**

**Performance**

Characteristic resistance to combined pull-out and concrete failure for fractional Threaded rods; working life 50 years

**Annex C28**

Appendix 56 / 28

**Table C29.1: Characteristic resistance to combined pull-out and concrete failure for fractional Threaded rods in hammer or diamond drilled holes; cracked concrete; working life 50 years**

Threaded rod			3/8"	1/2"	5/8"	3/4"	7/8"	1"	1 1/8"		
<b>Combined pull-out and concrete cone failure</b>											
Calculation diameter	d	[mm]	9,5	12,7	15,9	19,1	22,2	25,4	28,6		
<b>Cracked concrete</b>											
<b>Characteristic bond resistance in cracked concrete C20/25</b>											
Hammer-drilling with standard drill bit or hollow drill bit (dry or wet concrete)											
Tem- perature range	I: 24 °C / 40 °C		$\tau_{Rk,cr}$	[N/mm <sup>2</sup> ]	8,7	9,9	9,5	8,5	8,5	8,5	
	II: 35 °C / 60 °C				8,7	9,9	9,5	8,5	8,5	8,5	8,5
	III: 50 °C / 72 °C				8,2	9,3	8,9	8,5	8,5	8,5	8,5
Hammer-drilling with standard drill bit or hollow drill bit (water filled hole)											
Tem- perature range	I: 24 °C / 40 °C		$\tau_{Rk,cr}$	[N/mm <sup>2</sup> ]	7,5	8,5	7,8	6,0	6,0	6,0	
	II: 35 °C / 60 °C				7,5	8,5	7,8	6,0	6,0	6,0	6,0
	III: 50 °C / 72 °C				7,0	8,0	7,3	6,0	6,0	6,0	6,0
<b>Installation factors; Hammer-drilling with standard drill bit or hollow drill bit</b>											
Dry or wet concrete		$\gamma_{inst}$	[-]	1,0							
Water filled hole				1,2			1,4				
Diamond-drilling (dry or wet concrete)											
Tem- perature range	I: 24 °C / 40 °C		$\tau_{Rk,cr}$	[N/mm <sup>2</sup> ]	7,0	7,0	6,0	6,0	7,0	7,0	
	II: 35 °C / 60 °C				7,0	7,0	6,0	6,0	7,0	7,0	7,0
	III: 50 °C / 72 °C				7,0	7,0	6,0	6,0	7,0	7,0	7,0
Diamond-drilling (water filled hole)											
Tem- perature range	I: 24 °C / 40 °C		$\tau_{Rk,cr}$	[N/mm <sup>2</sup> ]	7,5	7,5	6,0	6,0	6,0	6,0	
	II: 35 °C / 60 °C				7,5	7,5	6,0	6,0	6,0	6,0	6,0
	III: 50 °C / 72 °C				7,0	7,0	6,0	6,0	6,0	6,0	6,0
<b>Installation factors; Diamond-drilling</b>											
Dry or wet concrete		$\gamma_{inst}$	[-]	1,0							
Water filled hole				1,2			1,4				

**fischer Injection System FIS EM PLUS**

**Performance**

Characteristic resistance to combined pull-out and concrete failure for fractional Threaded rods; working life 50 years

**Annex C29**

Appendix 57 / 28

**Table C30.1: Characteristic resistance to combined pull-out and concrete failure for fractional Threaded rods in hammer or diamond drilled holes; uncracked concrete; working life 100 years**

Threaded rod			3/8"	1/2"	5/8"	3/4"	7/8"	1"	1 1/8"		
<b>Combined pull-out and concrete cone failure</b>											
Calculation diameter	d	[mm]	9,5	12,7	15,9	19,1	22,2	25,4	28,6		
<b>Uncracked concrete</b>											
<b>Characteristic bond resistance in uncracked concrete C20/25</b>											
Hammer-drilling with standard drill bit or hollow drill bit (dry or wet concrete)											
Tem- perature range	I: 24 °C / 40 °C		$\tau_{Rk,100,ucr}$	[N/mm <sup>2</sup> ]	16,4	15,3	14,5	13,8	13,3	12,9	12,6
	II: 35 °C / 60 °C				13,5	13,5	12,8	12,0	11,3	11,3	10,5
	III: 50 °C / 72 °C				10,2	10,2	10,4	9,8	9,1	9,1	8,5
Hammer-drilling with standard drill bit or hollow drill bit (water filled hole)											
Tem- perature range	I: 24 °C / 40 °C		$\tau_{Rk,100,ucr}$	[N/mm <sup>2</sup> ]	16,4	15,3	13,9	12,6	11,7	11,2	10,5
	II: 35 °C / 60 °C				12,0	11,3	9,8	8,3	8,3	7,5	6,8
	III: 50 °C / 72 °C				8,4	8,4	7,8	7,2	6,5	5,9	5,9
<b>Installation factors; Hammer-drilling with standard drill bit or hollow drill bit</b>											
Dry or wet concrete			$\gamma_{inst}$	[-]	1,0						
Water filled hole					1,4						
Diamond-drilling (dry or wet concrete)											
Tem- perature range	I: 24 °C / 40 °C		$\tau_{Rk,100,ucr}$	[N/mm <sup>2</sup> ]	11,8	10,8	10,1	9,7	9,3	8,8	8,5
	II: 35 °C / 60 °C				11,3	9,8	9,0	7,5	7,5	6,8	6,8
	III: 50 °C / 72 °C				8,4	7,2	7,2	6,5	5,9	5,2	5,2
Diamond-drilling (water filled hole)											
Tem- perature range	I: 24 °C / 40 °C		$\tau_{Rk,100,ucr}$	[N/mm <sup>2</sup> ]	14,2	12,3	11,2	10,2	9,4	8,9	8,3
	II: 35 °C / 60 °C				11,3	9,8	9,0	7,5	7,5	6,8	6,8
	III: 50 °C / 72 °C				8,4	7,2	7,2	6,5	5,9	5,2	5,2
<b>Installation factors; Diamond-drilling</b>											
Dry or wet concrete			$\gamma_{inst}$	[-]	1,0						
Water filled hole					1,4						

**fischer Injection System FIS EM PLUS**

**Performance**

Characteristic resistance to combined pull-out and concrete failure for fractional Threaded rods in hammer or diamond drilled holes; working life 100 years

**Annex C30**

Appendix 58 / 28

**Table C31.1: Characteristic resistance to combined pull-out and concrete failure for fractional Threaded rods in hammer or diamond drilled holes; cracked concrete; working life 100 years**

Threaded rod			3/8"	1/2"	5/8"	3/4"	7/8"	1"	1 1/8"	
<b>Combined pull-out and concrete cone failure</b>										
Calculation diameter	d	[mm]	9,5	12,7	15,9	19,1	22,2	25,4	28,6	
<b>Cracked concrete</b>										
<b>Characteristic bond resistance in cracked concrete C20/25</b>										
Hammer-drilling with standard drill bit or hollow drill bit (dry or wet concrete)										
Tem- perature range	I: 24 °C / 40 °C	$\tau_{Rk,100,cr}$	[N/mm <sup>2</sup> ]	7,0	7,5	7,2	6,9	6,8	6,5	6,3
	II: 35 °C / 60 °C			7,0	7,5	7,2	6,9	6,8	6,5	6,3
	III: 50 °C / 72 °C			6,6	7,1	6,8	6,4	6,4	6,1	6,0
Hammer-drilling with standard drill bit or hollow drill bit (water filled hole)										
Tem- perature range	I: 24 °C / 40 °C	$\tau_{Rk,100,cr}$	[N/mm <sup>2</sup> ]	6,0	6,5	5,9	4,9	4,8	4,6	4,4
	II: 35 °C / 60 °C			6,0	6,5	5,9	4,9	4,8	4,6	4,4
	III: 50 °C / 72 °C			5,6	6,1	5,5	4,5	4,5	4,3	4,3
<b>Installation factors; Hammer-drilling with standard drill bit or hollow drill bit</b>										
Dry or wet concrete	$\gamma_{inst}$	[-]	1,0							
Water filled hole			1,2	1,4						
Diamond-drilling (dry or wet concrete)										
Tem- perature range	I: 24 °C / 40 °C	$\tau_{Rk,100,cr}$	[N/mm <sup>2</sup> ]	6,0	5,6	3,9	3,9	4,6	4,6	4,6
	II: 35 °C / 60 °C			6,0	5,6	3,9	3,9	4,6	4,6	4,6
	III: 50 °C / 72 °C			6,0	5,6	3,9	3,9	4,6	4,6	4,6
<b>Installation factors; Diamond-drilling</b>										
Dry or wet concrete	$\gamma_{inst}$	[-]	1,0							
<b>fischer Injection System FIS EM PLUS</b>										
<b>Performance</b> Characteristic resistance to combined pull-out and concrete failure for fractional Threaded rods in hammer or diamond drilled holes; working life 100 years								<b>Annex C31</b> Appendix 59 / 28		

**Table C32.1: Characteristic resistance to combined pull-out and concrete failure for fractional fischer RG M I in hammer or diamond drilled holes; uncracked concrete; working life 50 years**

fischer RG M I		3/8"	1/2"	5/8"	3/4"	
<b>Combined pull-out and concrete cone failure</b>						
Calculation diameter	d [mm]	15,7	18,0	22,0	28,0	
<b>Uncracked concrete</b>						
<b>Characteristic bond resistance in uncracked concrete C20/25</b>						
Hammer-drilling with standard drill bit or hollow drill bit (dry or wet concrete)						
Tem- perature range	I: 24 °C / 40 °C	$\tau_{Rk,ucr}$ [N/mm <sup>2</sup> ]	17,6	17,0	16,2	15,3
	II: 35 °C / 60 °C		14,0	14,0	13,0	12,0
	III: 50 °C / 72 °C		13,0	13,0	12,0	11,0
Hammer-drilling with standard drill bit or hollow drill bit (water filled hole)						
Tem- perature range	I: 24 °C / 40 °C	$\tau_{Rk,ucr}$ [N/mm <sup>2</sup> ]	16,9	15,8	14,3	12,8
	II: 35 °C / 60 °C		12,0	12,0	11,0	10,0
	III: 50 °C / 72 °C		12,0	11,0	10,0	9,0
<b>Installation factors; Hammer-drilling with standard drill bit or hollow drill bit</b>						
Dry or wet concrete	$\gamma_{inst}$ [-]	1,0				
Water filled hole		1,4				
Diamond-drilling (dry or wet concrete)						
Tem- perature range	I: 24 °C / 40 °C	$\tau_{Rk,ucr}$ [N/mm <sup>2</sup> ]	12,3	11,9	11,2	10,4
	II: 35 °C / 60 °C		12,0	11,0	10,0	9,0
	III: 50 °C / 72 °C		11,0	10,0	9,0	8,0
Diamond-drilling (water filled hole)						
Tem- perature range	I: 24 °C / 40 °C	$\tau_{Rk,ucr}$ [N/mm <sup>2</sup> ]	13,6	12,6	11,4	10,2
	II: 35 °C / 60 °C		12,0	11,0	10,0	9,0
	III: 50 °C / 72 °C		11,0	10,0	9,0	8,0
<b>Installation factors; Diamond-drilling</b>						
Dry or wet concrete	$\gamma_{inst}$ [-]	1,0				
Water filled hole		1,4				

**fischer Injection System FIS EM PLUS**

**Performance**

Characteristic resistance to combined pull-out and concrete failure for fractional fischer RG M I; working life 50 years

**Annex C32**

Appendix 60 / 28

**Table C33.1: Characteristic resistance to combined pull-out and concrete failure for fractional fischer RG M I in hammer or diamond drilled holes; cracked concrete; working life 50 years**

fischer RG M I		3/8"	1/2"	5/8"	3/4"		
<b>Combined pull-out and concrete cone failure</b>							
Calculation diameter	d	[mm]	15,7	18,0	22,0	28,0	
<b>Cracked concrete</b>							
<b>Characteristic bond resistance in cracked concrete C20/25</b>							
Hammer-drilling with standard drill bit or hollow drill bit (dry or wet concrete)							
Tem- perature range	I: 24 °C / 40 °C	$\tau_{Rk,cr}$	[N/mm <sup>2</sup> ]	6,0	6,0	7,0	7,0
	II: 35 °C / 60 °C			6,0	6,0	7,0	7,0
	III: 50 °C / 72 °C			6,0	6,0	7,0	7,0
Hammer-drilling with standard drill bit or hollow drill bit (water filled hole)							
Tem- perature range	I: 24 °C / 40 °C	$\tau_{Rk,cr}$	[N/mm <sup>2</sup> ]	6,5	6,0	6,0	6,0
	II: 35 °C / 60 °C			6,5	6,0	6,0	6,0
	III: 50 °C / 72 °C			6,0	6,0	6,0	6,0
<b>Installation factors; Hammer-drilling with standard drill bit or hollow drill bit</b>							
Dry or wet concrete	$\gamma_{inst}$	[-]	1,0				
Water filled hole			1,2	1,4			
Diamond-drilling (dry or wet concrete)							
Tem- perature range	I: 24 °C / 40 °C	$\tau_{Rk,cr}$	[N/mm <sup>2</sup> ]	6,0	6,0	7,0	7,0
	II: 35 °C / 60 °C			6,0	6,0	7,0	7,0
	III: 50 °C / 72 °C			6,0	6,0	7,0	7,0
Diamond-drilling (water filled hole)							
Tem- perature range	I: 24 °C / 40 °C	$\tau_{Rk,cr}$	[N/mm <sup>2</sup> ]	6,5	6,0	6,0	6,0
	II: 35 °C / 60 °C			6,5	6,0	6,0	6,0
	III: 50 °C / 72 °C			6,0	6,0	6,0	6,0
<b>Installation factors; Diamond-drilling</b>							
Dry or wet concrete	$\gamma_{inst}$	[-]	1,0				
Water filled hole			1,2	1,4			
<b>fischer Injection System FIS EM PLUS</b>							
<b>Performance</b>							
Characteristic resistance to combined pull-out and concrete failure for fractional fischer RG M I; working life 50 years							
<b>Annex C33</b>							
Appendix 61 / 28							

**Table C34.1: Characteristic resistance to combined pull-out and concrete failure for fractional fischer RG M I in hammer or diamond drilled holes; uncracked or cracked concrete; working life 100 years**

fischer RG M I		3/8"	1/2"	5/8"	3/4"	
<b>Combined pull-out and concrete cone failure</b>						
Calculation diameter	d	[mm]	15,7	18,0	22,0	28,0
<b>Uncracked concrete</b>						
<b>Characteristic bond resistance in uncracked concrete C20/25</b>						
Hammer-drilling with standard drill bit or hollow drill bit (dry or wet concrete)						
Temperature range	I: 24 °C / 40 °C	$\tau_{Rk,100,ucr}$ [N/mm <sup>2</sup> ]	14,4	14,0	13,3	12,6
	II: 35 °C / 60 °C		10,5	10,5	9,8	9,0
	III: 50 °C / 72 °C		7,8	7,8	7,8	7,2
Hammer-drilling with standard drill bit or hollow drill bit (water filled hole)						
Temperature range	I: 24 °C / 40 °C	$\tau_{Rk,100,ucr}$ [N/mm <sup>2</sup> ]	13,9	13,0	11,7	10,5
	II: 35 °C / 60 °C		9,0	9,0	8,3	7,5
	III: 50 °C / 72 °C		7,2	6,6	6,5	5,9
<b>Installation factors; Hammer-drilling with standard drill bit or hollow drill bit</b>						
Dry or wet concrete				1,0		
Water filled hole	$\gamma_{inst}$	[-]		1,4		
Diamond-drilling (dry or wet concrete)						
Temperature range	I: 24 °C / 40 °C	$\tau_{Rk,100,ucr}$ [N/mm <sup>2</sup> ]	10,1	9,8	9,2	8,6
	II: 35 °C / 60 °C		9,0	8,3	7,5	6,8
	III: 50 °C / 72 °C		6,6	6,0	5,9	5,2
Diamond-drilling (water filled hole)						
Temperature range	I: 24 °C / 40 °C	$\tau_{Rk,100,ucr}$ [N/mm <sup>2</sup> ]	11,2	10,3	9,3	8,4
	II: 35 °C / 60 °C		9,0	8,3	7,5	6,8
	III: 50 °C / 72 °C		6,6	6,0	5,9	5,2
<b>Installation factors; Diamond-drilling</b>						
Dry or wet concrete				1,0		
Water filled hole	$\gamma_{inst}$	[-]		1,4		
<b>Cracked concrete</b>						
<b>Characteristic bond resistance in cracked concrete C20/25</b>						
Hammer-drilling with standard drill bit or hollow drill bit (dry or wet concrete)						
Temperature range	I: 24 °C / 40 °C	$\tau_{Rk,100,cr}$ [N/mm <sup>2</sup> ]	5,1	4,8	4,6	4,6
	II: 35 °C / 60 °C		5,1	4,8	4,6	4,6
	III: 50 °C / 72 °C		5,1	4,8	4,6	4,6
Hammer-drilling with standard drill bit or hollow drill bit (water filled hole)						
Temperature range	I: 24 °C / 40 °C	$\tau_{Rk,100,cr}$ [N/mm <sup>2</sup> ]	5,5	4,8	3,9	3,9
	II: 35 °C / 60 °C		5,5	4,8	3,9	3,9
	III: 50 °C / 72 °C		5,1	4,8	3,9	3,9
<b>Installation factors; Hammer-drilling with standard drill bit or hollow drill bit</b>						
Dry or wet concrete				1,0		
Water filled hole	$\gamma_{inst}$	[-]	1,2		1,4	
Diamond-drilling (dry or wet concrete)						
Temperature range	I: 24 °C / 40 °C	$\tau_{Rk,100,cr}$ [N/mm <sup>2</sup> ]	5,1	4,8	4,6	4,6
	II: 35 °C / 60 °C		5,1	4,8	4,6	4,6
	III: 50 °C / 72 °C		5,1	4,8	4,6	4,6
<b>Installation factors; Diamond-drilling</b>						
Dry or wet concrete				1,0		
	$\gamma_{inst}$	[-]		1,0		

**fischer Injection System FIS EM PLUS**

**Performance**

Characteristic resistance to combined pull-out and concrete failure for fractional fischer RG M I; working life 100 years

**Annex C34**

Appendix 62 / 28

**Table C35.1: Characteristic resistance to combined pull-out and concrete failure for fractional reinforcing bars in hammer or diamond drilled holes; uncracked concrete; working life 50 years**

Rebar size		#3	#4	#5	#6	#7	#8	#9	#10 <sup>1)</sup>		
<b>Combined pull-out and concrete cone failure</b>											
Calculation diameter	d	[mm]	9,5	12,7	15,9	19,1	22,2	25,4	28,7	32,3	
<b>Uncracked concrete</b>											
<b>Characteristic bond resistance in uncracked concrete C20/25</b>											
Hammer-drilling with standard drill bit or hollow drill bit (dry or wet concrete)											
Tem- perature range	I: 24 °C / 40 °C	$\tau_{Rk,ucr}$	[N/mm <sup>2</sup> ]	17,0	15,9	15,1	14,4	13,9	13,4	13,1	12,7
	II: 35 °C / 60 °C			15,0	15,0	14,0	13,0	13,0	12,0	12,0	12,0
	III 50 °C / 72 °C			14,0	14,0	13,0	12,0	12,0	11,0	11,0	11,0
Hammer-drilling with standard drill bit or hollow drill bit (water filled hole)											
Tem- perature range	I: 24 °C / 40 °C	$\tau_{Rk,ucr}$	[N/mm <sup>2</sup> ]	17,0	15,9	14,5	13,2	12,3	11,6	10,5	10,2
	II: 35 °C / 60 °C			16,0	14,0	12,0	11,0	11,0	10,0	10,0	9,0
	III 50 °C / 72 °C			14,0	13,0	12,0	11,0	10,0	9,0	9,0	8,0
<b>Installation factors; Hammer-drilling with standard drill bit or hollow drill bit</b>											
Dry or wet concrete	$\gamma_{inst}$	[-]	1,0								
Water filled hole			1,4								
Diamond-drilling (dry or wet concrete as well as water filled hole)											
Tem- perature range	I: 24 °C / 40 °C	$\tau_{Rk,ucr}$	[N/mm <sup>2</sup> ]	15,0	13,0	12,0	10,0	10,0	9,0	9,0	8,0
	II: 35 °C / 60 °C			15,0	13,0	12,0	10,0	10,0	9,0	9,0	8,0
	III 50 °C / 72 °C			14,0	12,0	11,0	10,0	9,0	9,0	8,0	8,0
<b>Installation factors; Diamond-drilling</b>											
Dry or wet concrete	$\gamma_{inst}$	[-]	1,0								
Water filled hole			1,4								

<sup>1)</sup> Not allowed for drilling with hollow drill bit.

**fischer Injection System FIS EM PLUS**

**Performance**

Characteristic resistance to combined pull-out and concrete failure for fractional reinforcing bars; working life 50 years

**Annex C35**

Appendix 63 / 28

**Table C36.1: Characteristic resistance to combined pull-out and concrete failure for fractional reinforcing bars in hammer or diamond drilled holes; cracked concrete; working life 50 years**

Rebar size		#3	#4	#5	#6	#7	#8	#9	#10 <sup>1)</sup>		
<b>Combined pull-out and concrete cone failure</b>											
Calculation diameter	d	[mm]	9,5	12,7	15,9	19,1	22,2	25,4	28,7	32,3	
<b>Cracked concrete</b>											
<b>Characteristic bond resistance in cracked concrete C20/25</b>											
Hammer-drilling with standard drill bit or hollow drill bit (dry or wet concrete)											
Tem- perature range	I: 24 °C / 40 °C	$\tau_{Rk,cr}$	[N/mm <sup>2</sup> ]	7,0	8,0	8,0	8,0	8,0	8,0	8,0	
	II: 35 °C / 60 °C			7,0	8,0	8,0	8,0	8,0	8,0	8,0	8,0
	III: 50 °C / 72 °C			7,0	8,0	8,0	8,0	8,0	8,0	8,0	8,0
Hammer-drilling with standard drill bit or hollow drill bit (water filled hole)											
Tem- perature range	I: 24 °C / 40 °C	$\tau_{Rk,cr}$	[N/mm <sup>2</sup> ]	7,5	6,5	6,5	6,0	6,0	6,0	5,0	
	II: 35 °C / 60 °C			7,5	6,5	6,5	6,0	6,0	6,0	6,0	5,0
	III: 50 °C / 72 °C			6,5	6,5	6,0	6,0	6,0	6,0	6,0	5,0
<b>Installation factors; Hammer-drilling with standard drill bit or hollow drill bit</b>											
Dry or wet concrete	$\gamma_{inst}$	[-]	1,0								
Water filled hole			1,2			1,4					
Diamond-drilling (dry or wet concrete)											
Tem- perature range	I: 24 °C / 40 °C	$\tau_{Rk,cr}$	[N/mm <sup>2</sup> ]	7,0	7,0	6,0	6,0	7,0	7,0	5,0	
	II: 35 °C / 60 °C			7,0	7,0	6,0	6,0	7,0	7,0	7,0	5,0
	III: 50 °C / 72 °C			7,0	7,0	6,0	6,0	7,0	7,0	7,0	5,0
Diamond-drilling (water filled hole)											
Tem- perature range	I: 24 °C / 40 °C	$\tau_{Rk,cr}$	[N/mm <sup>2</sup> ]	7,5	6,5	6,5	6,0	6,0	6,0	5,0	
	II: 35 °C / 60 °C			7,5	6,5	6,5	6,0	6,0	6,0	6,0	5,0
	III: 50 °C / 72 °C			6,5	6,5	6,0	6,0	6,0	6,0	6,0	5,0
<b>Installation factors; Diamond-drilling</b>											
Dry or wet concrete	$\gamma_{inst}$	[-]	1,0								
Water filled hole			1,2			1,4					

1) Not allowed for drilling with hollow drill bit.

**fischer Injection System FIS EM PLUS**

**Performance**

Characteristic resistance to combined pull-out and concrete failure for fractional reinforcing bars; working life 50 years

**Annex C36**

Appendix 64 / 28

**Table C37.1: Characteristic resistance to combined pull-out and concrete failure for fractional reinforcing bars in hammer or diamond drilled holes; uncracked and cracked concrete; working life 100 years**

Rebar size		#3	#4	#5	#6	#7	#8	#9	#10 <sup>1)</sup>	
<b>Combined pull-out and concrete cone failure</b>										
Calculation diameter	d	[mm]	9,5	12,7	15,9	19,1	22,2	25,4	28,7	32,3
<b>Uncracked concrete</b>										
<b>Characteristic bond resistance in uncracked concrete C20/25</b>										
Hammer-drilling with standard drill bit or hollow drill bit (dry or wet concrete)										
Temperature range	I: 24 °C / 40 °C	$\tau_{Rk,100,ucr}$ [N/mm <sup>2</sup> ]	14,0	13,0	12,4	11,9	11,4	11,0	10,8	10,5
	II: 35 °C / 60 °C		11,3	11,3	10,5	9,8	9,8	9,0	9,0	9,0
	III 50 °C / 72 °C		8,4	8,4	8,5	7,8	7,8	7,2	7,2	7,2
Hammer-drilling with standard drill bit or hollow drill bit (water filled hole)										
Temperature range	I: 24 °C / 40 °C	$\tau_{Rk,100,ucr}$ [N/mm <sup>2</sup> ]	13,9	13,0	11,9	11,0	10,1	9,5	8,6	8,5
	II: 35 °C / 60 °C		12,0	10,5	9,0	8,3	8,3	7,5	7,5	6,8
	III 50 °C / 72 °C		8,4	7,8	7,8	7,2	6,5	5,9	5,9	5,2
<b>Installation factors; Hammer-drilling with standard drill bit or hollow drill bit</b>										
Dry or wet concrete	$\gamma_{inst}$	[-]	1,0							
Water filled hole			1,4							
Diamond-drilling (dry or wet concrete as well as water filled hole)										
Temperature range	I: 24 °C / 40 °C	$\tau_{Rk,100,ucr}$ [N/mm <sup>2</sup> ]	11,3	9,8	9,0	7,5	7,5	6,8	6,8	6,0
	II: 35 °C / 60 °C		11,3	9,8	9,0	7,5	7,5	6,8	6,8	6,0
	III 50 °C / 72 °C		8,4	7,2	7,2	6,5	5,9	5,9	5,2	5,2
<b>Installation factors</b>										
Dry or wet concrete	$\gamma_{inst}$	[-]	1,0							
Water filled hole			1,4							
<b>Cracked concrete</b>										
<b>Characteristic bond resistance in cracked concrete C20/25</b>										
Hammer-drilling with standard drill bit or hollow drill bit (dry or wet concrete)										
Temperature range	I: 24 °C / 40 °C	$\tau_{Rk,100,cr}$ [N/mm <sup>2</sup> ]	6,0	6,4	5,2	5,2	5,2	5,2	5,2	5,2
	II: 35 °C / 60 °C		6,0	6,4	5,2	5,2	5,2	5,2	5,2	5,2
	III 50 °C / 72 °C		6,0	6,4	5,2	5,2	5,2	5,2	5,2	5,2
Hammer-drilling with standard drill bit or hollow drill bit (water filled hole)										
Temperature range	I: 24 °C / 40 °C	$\tau_{Rk,100,cr}$ [N/mm <sup>2</sup> ]	6,4	5,2	4,2	3,9	3,9	3,9	3,9	3,3
	II: 35 °C / 60 °C		6,4	5,2	4,2	3,9	3,9	3,9	3,9	3,3
	III 50 °C / 72 °C		5,5	5,2	3,9	3,9	3,9	3,9	3,9	3,3
<b>Installation factors; Hammer-drilling with standard drill bit or hollow drill bit</b>										
Dry or wet concrete	$\gamma_{inst}$	[-]	1,0							
Water filled hole			1,2	1,4						
Diamond-drilling (dry or wet concrete)										
Temperature range	I: 24 °C / 40 °C	$\tau_{Rk,100,cr}$ [N/mm <sup>2</sup> ]	6,0	5,6	3,9	3,9	4,6	4,6	4,6	3,3
	II: 35 °C / 60 °C		6,0	5,6	3,9	3,9	4,6	4,6	4,6	3,3
	III 50 °C / 72 °C		6,0	5,6	3,9	3,9	4,6	4,6	4,6	3,3
<b>Installation factors</b>										
Dry or wet concrete	$\gamma_{inst}$	[-]	1,0							

<sup>1)</sup> Not allowed for drilling with hollow drill bit.

**fischer Injection System FIS EM PLUS**

**Performance**

Characteristic resistance to combined pull-out and concrete failure for fractional reinforcing bars; uncracked and cracked concrete; working life 100 years

**Annex C37**

Appendix 65 / 28

**Table C38.1: Displacements for fraction Threaded rods**

Threaded rod		3/8"	1/2"	5/8"	3/4"	7/8"	1"	1 1/8"
<b>Displacement-Factors for tension loading <sup>1)</sup></b>								
<b>Uncracked or cracked concrete; Temperature range I, II, III</b>								
$\delta_{N0}$ -Factor	[mm/(N/mm <sup>2</sup> )]	0,08	0,09	0,10	0,11	0,11	0,12	0,13
$\delta_{N\infty}$ -Factor		0,12	0,13	0,15	0,16	0,17	0,19	0,19
<b>Displacement-Factors for shear loading <sup>2)</sup></b>								
<b>Uncracked or cracked concrete; Temperature range I, II, III</b>								
$\delta_{V0}$ -Factor	[mm/kN]	0,15	0,12	0,09	0,07	0,07	0,05	0,05
$\delta_{V\infty}$ -Factor		0,22	0,18	0,14	0,11	0,10	0,08	0,07

1) Calculation of effective displacement:

$$\delta_{N0} = \delta_{N0\text{-Factor}} \cdot \tau$$

$$\delta_{N\infty} = \delta_{N\infty\text{-Factor}} \cdot \tau$$

 $\tau$  = acting bond strength under tension loading

2) Calculation of effective displacement:

$$\delta_{V0} = \delta_{V0\text{-Factor}} \cdot V$$

$$\delta_{V\infty} = \delta_{V\infty\text{-Factor}} \cdot V$$

 $V$  = acting shear loading
**Table C38.2: Displacements for fractional fischer RG M I**

fischer RG M I		3/8"	1/2"	5/8"	3/4"
<b>Displacement-Factors for tension loading <sup>1)</sup></b>					
<b>Uncracked or cracked concrete; Temperature range I, II, III</b>					
$\delta_{N0}$ -Factor	[mm/(N/mm <sup>2</sup> )]	0,10	0,10	0,11	0,13
$\delta_{N\infty}$ -Factor		0,15	0,16	0,17	0,19
<b>Displacement-Factors for shear loading <sup>2)</sup></b>					
<b>Uncracked or cracked concrete; Temperature range I, II, III</b>					
$\delta_{V0}$ -Factor	[mm/kN]	0,09	0,08	0,07	0,05
$\delta_{V\infty}$ -Factor		0,14	0,12	0,10	0,08

1) Calculation of effective displacement:

$$\delta_{N0} = \delta_{N0\text{-Factor}} \cdot \tau$$

$$\delta_{N\infty} = \delta_{N\infty\text{-Factor}} \cdot \tau$$

 $\tau$  = acting bond strength under tension loading

2) Calculation of effective displacement:

$$\delta_{V0} = \delta_{V0\text{-Factor}} \cdot V$$

$$\delta_{V\infty} = \delta_{V\infty\text{-Factor}} \cdot V$$

 $V$  = acting shear loading
**fischer Injection System FIS EM PLUS****Performance**

Displacements for fractional Threaded rods and fractional fischer RG M I

**Annex C38**

Appendix 66 / 28

**Table C39.1: Displacements for fractional reinforcing bars**

Rebar size		#3	#4	#5	#6	#7	#8	#9	#10
<b>Displacement-Factors for tension loading <sup>1)</sup></b>									
<b>Uncracked or cracked concrete; Temperature range I, II, III</b>									
$\delta_{N0}$ -Factor	[mm/(N/mm <sup>2</sup> )]	0,08	0,09	0,10	0,11	0,11	0,12	0,13	0,13
$\delta_{N\infty}$ -Factor		0,12	0,13	0,15	0,16	0,17	0,18	0,19	0,20
<b>Displacement-Factors for shear loading <sup>2)</sup></b>									
<b>Uncracked or cracked concrete; Temperature range I, II, III</b>									
$\delta_{V0}$ -Factor	[mm/kN]	0,15	0,12	0,09	0,07	0,07	0,06	0,05	0,05
$\delta_{V\infty}$ -Factor		0,22	0,18	0,14	0,11	0,10	0,09	0,08	0,07

1) Calculation of effective displacement:

$$\delta_{N0} = \delta_{N0\text{-Factor}} \cdot \tau$$

$$\delta_{N\infty} = \delta_{N\infty\text{-Factor}} \cdot \tau$$

$\tau$  = acting bond strength under tension loading

2) Calculation of effective displacement:

$$\delta_{V0} = \delta_{V0\text{-Factor}} \cdot V$$

$$\delta_{V\infty} = \delta_{V\infty\text{-Factor}} \cdot V$$

$V$  = acting shear loading

**fischer Injection System FIS EM PLUS**

**Performance**

Displacements for fractional reinforcing bars

**Annex C39**

Appendix 67 / 28

**Table C40.1: Characteristic resistance to steel failure under tension / shear loading for metric Anchor rods and Threaded rods under seismic action performance category C1**

Anchor rod / Threaded rod			M10	M12	M14	M16	M20	M22	M24	M27	M30	
<b>Characteristic resistance to steel failure under tension loading <sup>1)</sup></b>												
<b>Anchor rods and Threaded rods, performance category C1 <sup>2)</sup></b>												
Characteristic resistance $N_{Rk,s,C1}$	Steel zinc plated	Property class 4.8	[kN]	23,2(21,4)	33,7	46,0	62,8	98,0	121,2	141,2	183,6	224,4
		5.8		29,0(26,8)	42,1	57,5	78,5	122,5	151,5	176,5	229,5	280,5
		8.8		46,4(42,8)	67,4	92,0	125,6	196,0	242,4	282,4	367,2	448,8
	Stainless steel R and high corrosion resistant steel HCR	50		29,0	42,1	57,5	78,5	122,5	151,5	176,5	229,5	280,5
		70		40,6	59,0	80,5	109,9	171,5	212,1	247,1	321,3	392,7
		80		46,4	67,4	92,0	125,6	196,0	242,4	282,4	367,2	448,8
<b>Characteristic resistance to steel failure under shear loading without lever arm <sup>1)</sup></b>												
<b>Anchor rods, performance category C1 <sup>2)</sup></b>												
Characteristic resistance $V_{Rk,C1}$	Steel zinc plated	Property class 4.8	[kN]	13,9(12,8)	20,2	27,6	37,6	58,8	72,7	84,7	110,1	134,6
		5.8		17,4(16,0)	25,2	34,5	47,1	73,5	90,9	105,9	137,7	168,3
		8.8		23,2(21,4)	33,7	46,0	62,8	98,0	121,2	141,2	183,6	224,4
	Stainless steel R and high corrosion resistant steel HCR	50		14,5	21,0	28,7	39,2	61,2	75,7	88,2	114,7	140,2
		70		20,3	29,5	40,2	54,9	85,7	106,0	123,5	160,6	196,3
		80		23,2	33,7	46,0	62,8	98,0	121,2	141,2	183,6	224,4
<b>Threaded rods, performance category C1 <sup>2)</sup></b>												
Characteristic resistance $V_{Rk,s,C1}$	Steel zinc plated	Property class 4.8	[kN]	9,7(9,0)	14,1	19,3	26,3	41,1	50,9	59,3	77,1	97,2
		5.8		12,1(11,2)	17,7	24,1	32,9	51,4	63,6	74,1	96,3	117,8
		8.8		16,2(15,0)	23,6	32,2	43,9	68,6	84,8	98,8	128,5	157,0
	Stainless steel R and high corrosion resistant steel HCR	50		10,1	14,7	20,1	27,4	42,8	53,0	61,7	80,3	98,1
		70		14,2	20,6	28,1	38,4	60,0	74,2	86,4	112,4	137,4
		80		16,2	23,6	32,2	43,9	68,6	84,8	98,8	128,5	157,0

<sup>1)</sup> Values in brackets are valid for undersized Threaded rods with smaller stress area  $A_s$  for hot dip galvanised Threaded rods according to EN ISO 10684:2004+AC:2009.

<sup>2)</sup> Partial factors for performance category C1 or C2 see table C42.1; for Anchor rods the factor for steel ductility is 1,0.

**Table C41.1: Characteristic resistance to steel failure under tension / shear loading for metric Anchor rods and Threaded rods under seismic action performance category C2**

Anchor rod / Threaded rod			M10	M12	M14	M16	M20	M22	M24	M27	M30		
<b>Characteristic resistance to steel failure under tension loading</b>													
<b>Anchor rods and Threaded rods, performance category C2 <sup>1)</sup></b>													
Characteristic resistance $N_{Rk,s,C2}$	Steel zinc plated	Property class	4.8	[kN]	-2)	30,3	-2)	56,5	88,2	-2)	141,2	-2)	-2)
			5.8		-2)	37,9	-2)	70,6	110,2	-2)	176,5	-2)	-2)
			8.8		-2)	60,6	-2)	113,0	176,4	-2)	282,4	-2)	-2)
	Stainless steel R and high corrosion resistant steel HCR		50		-2)	37,9	-2)	70,6	110,2	-2)	176,5	-2)	-2)
			70		-2)	53,1	-2)	98,9	154,3	-2)	247,1	-2)	-2)
			80		-2)	60,6	-2)	113,0	176,4	-2)	282,4	-2)	-2)
<b>Characteristic resistance to steel failure under shear loading without lever arm</b>													
<b>Anchor rods, performance category C2 <sup>1)</sup></b>													
Characteristic resistance $V_{Rk,s,C2}$	Steel zinc plated	Property class	4.8	[kN]	-2)	13,3	-2)	28,2	45,2	-2)	77,0	-2)	-2)
			5.8		-2)	16,6	-2)	35,3	56,5	-2)	96,3	-2)	-2)
			8.8		-2)	22,2	-2)	47,1	75,4	-2)	128,4	-2)	-2)
	Stainless steel R and high corrosion resistant steel HCR		50		-2)	13,9	-2)	29,4	47,1	-2)	80,3	-2)	-2)
			70		-2)	19,4	-2)	41,2	66,0	-2)	112,4	-2)	-2)
			80		-2)	22,2	-2)	47,1	75,4	-2)	128,4	-2)	-2)
<b>Threaded rods, performance category C2 <sup>1)</sup></b>													
Characteristic resistance $V_{Rk,s,C2}$	Steel zinc plated	Property class	4.8	[kN]	-2)	13,3	-2)	26,3	41,1	-2)	59,3	-2)	-2)
			5.8		-2)	16,6	-2)	32,9	51,4	-2)	74,1	-2)	-2)
			8.8		-2)	22,2	-2)	43,9	68,6	-2)	98,8	-2)	-2)
	Stainless steel R and high corrosion resistant steel HCR		50		-2)	13,9	-2)	27,4	42,8	-2)	61,7	-2)	-2)
			70		-2)	19,4	-2)	38,4	60,0	-2)	86,4	-2)	-2)
			80		-2)	22,2	-2)	43,9	68,6	-2)	98,8	-2)	-2)

<sup>1)</sup> Partial factors for performance category C1 or C2 see table C42.1; for Anchor rods the factor for steel ductility is 1,0.

<sup>2)</sup> No performance assessed.

**Table C41.2: Characteristic resistance to steel failure under tension / shear loading for metric reinforcing bars (B500B) under seismic action performance category C1**

Nominal diameter of the bar		$\phi$	10	12	14	16	18	20	22	24	25	26	28	30	32
<b>Characteristic resistance to steel failure under tension loading</b>															
<b>Reinforcing bar B500B acc. to DIN 488-2:2009-08, performance category C1 <sup>1)</sup></b>															
Characteristic resistance	$N_{Rk,s,C1}$ [kN]		42,3	61,0	83,1	108,5	137,1	169,5	205,2	244,0	265,1	286,2	332,6	381,2	434,1
<b>Characteristic resistance to steel failure under shear loading, without lever arm</b>															
<b>Reinforcing bar B500B acc. to DIN 488-2:2009-08, performance category C1 <sup>1)</sup></b>															
Characteristic resistance	$V_{Rk,s,C1}$ [kN]		14,8	21,3	29,1	37,9	48,0	59,3	71,8	85,4	92,7	100,1	116,4	133,4	151,9

<sup>1)</sup> Partial factors for performance category C1 see table C42.1.

**fischer Injection System FIS EM PLUS**

**Performance**

Characteristic resistance to steel failure for metric Anchor rods / Threaded rods and reinforcing bars under seismic action performance category C2 and C1 respectively

**Annex C41**

Appendix 69 / 28

**Table C42.1: Partial factors for metric Anchor rods, Threaded rods and reinforcing bars (B500B) under seismic action performance category C1 or C2**

Anchor rod / Threaded rod		M10 to M30	
Nominal diameter of the bar $\phi$		10 to 32	
<b>Tension loading, steel failure <sup>1)</sup></b>			
Partial factor $\gamma_{Ms,N}$	Steel zinc plated	4.8	1,50
		5.8	1,50
		8.8	1,50
	Stainless steel R and high corrosion resistant steel HCR	50	2,86
		70	1,87 / Anchor rod HCR: 1,50 <sup>2)</sup>
		80	1,60
	Reinforcing bar	B500B	1,40
<b>Shear loading, steel failure <sup>1)</sup></b>			
Partial factor $\gamma_{Ms,V}$	Steel zinc plated	4.8	1,25
		5.8	1,25
		8.8	1,25
	Stainless steel R and high corrosion resistant steel HCR	50	2,38
		70	1,56 / Anchor rod HCR: 1,25 <sup>2)</sup>
		80	1,33
	Reinforcing bar	B500B	1,50

<sup>1)</sup> In absence of other national regulations.

<sup>2)</sup> Only admissible for high corrosion resistant steel HCR, acc. to Table A6.1.

**fischer Injection System FIS EM PLUS**

**Performance**

Partial factors for metric Anchor rods, Threaded rods, and reinforcing bars (B500B) under seismic action performance category C1 or C2

**Annex C42**

Appendix 70 / 28

**Table C43.1: Characteristic resistance for combined pull-out and concrete failure for metric Anchor rods and Threaded rods in hammer drilled holes under seismic action performance category C1; working life 50 years**

Anchor rod / Threaded rod		M10	M12	M14	M16	M20	M22	M24	M27	M30		
<b>Characteristic bond resistance, combined pull-out and concrete cone failure</b>												
<b>Hammer-drilling with standard drill bit or hollow drill bit (dry or wet concrete)</b>												
Tem- perature range	I: 24 °C / 40 °C	$\tau_{RK,C1}$	[N/mm <sup>2</sup> ]	7,0	7,0	6,7	6,0	5,7	6,7	6,7	6,7	
	II: 35 °C / 60 °C			7,0	7,0	6,7	6,0	5,7	6,7	6,7	6,7	6,7
	III: 50 °C / 72 °C			7,0	7,0	6,7	5,7	5,7	6,7	6,7	6,7	6,7
<b>Hammer-drilling with standard drill bit or hollow drill bit (water filled hole)</b>												
Tem- perature range	I: 24 °C / 40 °C	$\tau_{RK,C1}$	[N/mm <sup>2</sup> ]	7,5	7,5	6,5	5,7	5,7	5,7	5,7	5,7	
	II: 35 °C / 60 °C			7,5	7,5	6,5	5,7	5,7	5,7	5,7	5,7	5,7
	III: 50 °C / 72 °C			6,8	6,8	6,5	5,7	5,7	5,7	5,7	5,7	5,7
<b>Installation factors</b>												
<b>Tension loading</b>												
Dry or wet concrete		$\gamma_{inst}$	[-]	1,0								
Water filled hole				1,2			1,4					

**Table C43.2: Characteristic resistance for combined pull-out and concrete failure for metric Anchor rods and Threaded rods in hammer drilled holes under seismic action performance category C1; working life 100 years**

Anchor rod / Threaded rod		M10	M12	M14	M16	M20	M22	M24	M27	M30		
<b>Characteristic bond resistance, combined pull-out and concrete cone failure</b>												
<b>Hammer-drilling with standard drill bit or hollow drill bit (dry or wet concrete)</b>												
Tem- perature range	I: 24 °C / 40 °C	$\tau_{RK,C1}$	[N/mm <sup>2</sup> ]	5,5	5,3	5,8	4,6	4,6	5,4	5,3	5,1	
	II: 35 °C / 60 °C			5,5	5,3	5,8	4,6	4,6	5,4	5,3	5,1	5,0
	III: 50 °C / 72 °C			5,5	5,3	5,5	4,3	4,3	5,0	5,0	4,8	4,8
<b>Hammer-drilling with standard drill bit or hollow drill bit (water filled hole)</b>												
Tem- perature range	I: 24 °C / 40 °C	$\tau_{RK,C1}$	[N/mm <sup>2</sup> ]	5,9	5,6	5,7	4,3	4,6	4,6	4,5	4,3	
	II: 35 °C / 60 °C			5,9	5,6	5,7	4,3	4,6	4,6	4,5	4,3	4,2
	III: 50 °C / 72 °C			5,3	5,1	5,3	4,3	4,3	4,3	4,2	4,1	4,0
<b>Installation factors</b>												
<b>Tension loading</b>												
Dry or wet concrete		$\gamma_{inst}$	[-]	1,0								
Water filled hole				1,2			1,4					

**fischer Injection System FIS EM PLUS**

**Performance**

Characteristic resistance for combined pull-out and concrete failure under seismic action (C1) for Anchor rods / Threaded rods; working life 50 and 100 years

**Annex C43**

Appendix 71 / 28

**Table C44.1: Characteristic resistance for combined pull-out and concrete failure for metric reinforcing bars in hammer drilled holes under seismic action performance category C1; working life 50 years**

Nominal diameter of the bar		$\phi$	10	12	14	16	18	20	22	24	25	26	28	30	32	
<b>Characteristic bond resistance, combined pull-out and concrete cone failure</b>																
<b>Hammer-drilling with standard drill bit or hollow drill bit (dry or wet concrete)</b>																
Tem- perature range	I: 24 °C / 40 °C	$\tau_{RK,C1}$	[N/mm <sup>2</sup> ]	7,0	7,0	6,7	5,7	5,7	5,7	6,7	6,7	6,7	6,7	6,7	4,8	
	II: 35 °C / 60 °C			7,0	7,0	6,7	5,7	5,7	5,7	6,7	6,7	6,7	6,7	6,7	6,7	4,8
	III: 50 °C / 72 °C			7,0	7,0	6,7	5,7	5,7	5,7	6,7	6,7	6,7	6,7	6,7	6,7	4,8
<b>Hammer-drilling with standard drill bit or hollow drill bit (water filled hole)</b>																
Tem- perature range	I: 24 °C / 40 °C	$\tau_{RK,C1}$	[N/mm <sup>2</sup> ]	7,5	6,5	6,5	5,7	5,7	5,7	5,7	5,7	5,7	5,7	5,7	4,8	
	II: 35 °C / 60 °C			7,5	6,5	6,5	5,7	5,7	5,7	5,7	5,7	5,7	5,7	5,7	4,8	
	III: 50 °C / 72 °C			6,5	6,5	5,8	5,8	5,7	5,7	5,7	5,7	5,7	5,7	5,7	5,7	4,8

**Installation factors**

**Tension loading**

Dry or wet concrete	$\gamma_{inst}$	[-]	1,0												
Water filled hole			1,2						1,4						

**Table C44.2: Characteristic resistance for combined pull-out and concrete failure for metric reinforcing bars in hammer drilled holes under seismic action performance category C1; working life 100 years**

Nominal diameter of the bar		$\phi$	10	12	14	16	18	20	22	24	25	26	28	30	32	
<b>Characteristic bond resistance, combined pull-out and concrete cone failure</b>																
<b>Hammer-drilling with standard drill bit or hollow drill bit (dry or wet concrete)</b>																
Tem- perature range	I: 24 °C / 40 °C	$\tau_{RK,C1}$	[N/mm <sup>2</sup> ]	6,0	5,6	4,4	3,7	3,7	3,7	4,4	4,4	4,4	4,4	4,4	3,1	
	II: 35 °C / 60 °C			6,0	5,6	4,4	3,7	3,7	3,7	4,4	4,4	4,4	4,4	4,4	4,4	3,1
	III: 50 °C / 72 °C			6,0	5,6	4,4	3,7	3,7	3,7	4,4	4,4	4,4	4,4	4,4	4,4	3,1
<b>Hammer-drilling with standard drill bit or hollow drill bit (water filled hole)</b>																
Tem- perature range	I: 24 °C / 40 °C	$\tau_{RK,C1}$	[N/mm <sup>2</sup> ]	6,4	5,2	4,2	3,7	3,7	3,7	3,7	3,7	3,7	3,7	3,7	3,1	
	II: 35 °C / 60 °C			6,4	5,2	4,2	3,7	3,7	3,7	3,7	3,7	3,7	3,7	3,7	3,7	3,1
	III: 50 °C / 72 °C			5,5	5,2	3,8	3,8	3,7	3,7	3,7	3,7	3,7	3,7	3,7	3,7	3,1

**Installation factors**

**Tension loading**

Dry or wet concrete	$\gamma_{inst}$	[-]	1,0												
Water filled hole			1,2						1,4						

**fischer Injection System FIS EM PLUS**

**Performance**

Characteristic resistance for combined pull-out and concrete failure under seismic action (C1) for and reinforcing bars; working life 50 and 100 years

**Annex C44**

Appendix 72 / 28

**Table C45.1: Characteristic resistance and Displacements for combined pull-out and concrete failure for metric Anchor rods and Threaded rods in hammer drilled holes under seismic action performance category C2; working life 50 and 100 years**

Anchor rod / Threaded rod		M12	M16	M20	M24	
<b>Characteristic bond resistance, combined pull-out and concrete cone failure</b>						
<b>Hammer-drilling with standard drill bit or hollow drill bit (dry or wet concrete)</b>						
Tem- perature range	I: 24 °C / 40 °C	$\tau_{Rk,C2}$ [N/mm <sup>2</sup> ]	3,5	5,8	5,0	3,1
	II: 35 °C / 60 °C		3,5	5,8	5,0	3,1
	III: 50 °C / 72 °C		3,3	5,5	4,7	2,9
<b>Hammer-drilling with standard drill bit or hollow drill bit (water filled hole)</b>						
Tem- perature range	I: 24 °C / 40 °C	$\tau_{Rk,C2}$ [N/mm <sup>2</sup> ]	3,5	5,8	5,0	3,1
	II: 35 °C / 60 °C		3,5	5,8	5,0	3,1
	III: 50 °C / 72 °C		3,3	5,5	4,7	2,9
<b>Installation factors</b>						
<b>Tension loading</b>						
Dry or wet concrete	$\gamma_{inst}$	[-]	1,0			
Water filled hole			1,2	1,4		
<b>Displacement-Factors for tension loading <sup>1)</sup></b>						
$\delta_{N,C2(50\%)-Factor}$	[mm/(N/mm <sup>2</sup> )]	0,09	0,10	0,11	0,12	
$\delta_{N,C2(100\%)-Factor}$		0,15	0,17	0,17	0,18	
<b>Displacement-Factors for shear loading <sup>2)</sup></b>						
$\delta_{V,C2(50\%)-Factor}$	[mm/kN]	0,18	0,10	0,07	0,06	
$\delta_{V,C2(100\%)-Factor}$		0,25	0,14	0,11	0,09	
1) Calculation of effective displacement: $\delta_{N,C2(50\%)} = \delta_{N,C2(50\%)-Factor} \cdot \tau$ $\delta_{N,C2(100\%)} = \delta_{N,C2(100\%)-Factor} \cdot \tau$ $\tau$ = acting bond strength under tension loading			2) Calculation of effective displacement: $\delta_{V,C2(50\%)} = \delta_{V,C2(50\%)-Factor} \cdot V$ $\delta_{V,C2(100\%)} = \delta_{V,C2(100\%)-Factor} \cdot V$ $V$ = acting shear loading			
<b>fischer Injection System FIS EM PLUS</b>					<b>Annex C45</b> Appendix 73 / 28	
<b>Performance</b> Characteristic resistance for combined pull-out and concrete failure under seismic action (C2) for Anchor rods and Threaded rods; working life 50 and 100 years						

**Table C46.1: Characteristic resistance to steel failure under tension or shear loading for fractional Threaded rods under seismic action performance category C1**

Threaded rod		3/8"	1/2"	5/8"	3/4"	7/8"	1"	1 1/8"		
<b>Characteristic resistance to steel failure under tension loading</b>										
<b>Threaded rods, performance category C1 <sup>1)</sup></b>										
Characteristic resistance $N_{Rk,s,C1}$	Steel zinc plated	F568M, Class 5.8	[kN]	25,0	45,7	72,9	107,9	148,9	195,4	246,0
		F1554, Grade 36		19,9	36,5	58,3	86,2	119,1	156,2	196,7
		F1554, Grade 55		25,8	47,3	75,3	111,5	154,0	202,0	254,4
		F1554, Grade 105		43,0	78,8	125,6	185,9	256,7	336,8	424,0
	Stainless steel R	A193, B7		43,0	78,8	125,6	185,9	256,7	336,8	424,0
		F593, Alloy Group 2		34,4	63,0	100,5	126,4	174,5	229,0	288,3
		A193, Grade B8M, Class 1		25,8	47,3	75,3	111,5	154,0	202,0	254,4
		A193, Grade B8M, Class 2B		32,7	59,9	95,4	141,3	195,1	255,9	322,2
<b>Characteristic resistance to steel failure under shear loading without lever arm</b>										
<b>Threaded rods, performance category C1 <sup>1)</sup></b>										
Characteristic resistance $V_{Rk,s,C1}$	Steel zinc plated	F568M, Class 5.8	[kN]	12,0	21,9	34,9	51,7	53,6	70,3	88,5
		F1554, Grade 36		8,3	15,3	24,4	36,2	50,0	65,6	82,6
		F1554, Grade 55		10,3	18,9	30,1	44,6	46,2	60,6	76,3
		F1554, Grade 105		15,0	27,6	43,9	65,0	89,8	117,8	148,4
	Stainless steel R	A193, B7		17,2	31,5	50,2	74,3	77,0	101,0	127,2
		F593, Alloy Group 2		13,7	25,2	40,2	50,5	52,3	68,7	86,5
		A193, Grade B8M, Class 1		10,3	18,9	30,1	44,6	46,2	60,6	76,3
		A193, Grade B8M, Class 2B		13,1	23,9	38,1	56,5	58,5	76,7	96,6

<sup>1)</sup> Partial factors for performance category C1 or see table C48.1

**fischer Injection System FIS EM PLUS**

**Performance**

Characteristic resistance to steel failure under tension or shear loading for Anchor rods and Threaded rods under seismic action (performance category C1)

**Annex C46**

Appendix 74 / 28

**Table C47.1:** Characteristic resistance to **steel failure** under tension / shear loading for **fractional reinforcing bars** under seismic action performance category **C1**

Rebar size		#3	#4	#5	#6	#7	#8	#9	#10	
<b>Characteristic resistance to steel failure under tension loading</b>										
<b>Reinforcing bar materials, performance category C1 <sup>1)</sup></b>										
Characteristic resistance $N_{Rk,S,C1}$	A615 (A767), Grade 40	[kN]	29,3	53,3	82,3	117,4	160,0	210,9	266,8	338,8
	A615 (A767), Grade 60		44,0	80,0	123,4	176,2	240,1	316,4	400,2	508,2
	A615 (A767), Grade 75		48,9	88,9	137,2	195,8	266,8	351,6	444,7	564,6
	A706 (A767), Grade 60		39,1	71,1	109,7	156,6	213,4	281,3	355,7	451,7
<b>Characteristic resistance to steel failure under shear loading, without lever arm</b>										
<b>Reinforcing bar materials, performance category C1 <sup>1)</sup></b>										
Characteristic Resistance $V_{Rk,S,C1}$	A615 (A767), Grade 40	[kN]	13,0	23,6	36,5	52,1	71,0	93,6	118,4	150,4
	A615 (A767), Grade 60		16,3	29,6	45,6	65,2	88,8	117,0	148,0	188,0
	A615 (A767), Grade 75		18,1	32,9	50,7	72,4	98,7	130,1	164,5	208,9
	A706 (A767), Grade 60		14,4	26,3	40,6	57,9	78,9	104,0	131,6	167,1

<sup>1)</sup> Partial factors for performance category C1 see table C48.1.

**fischer Injection System FIS EM PLUS**

**Performance**

Characteristic resistance to steel failure under tension/shear loading for fractional reinforcing bars under seismic action (performance category C1)

**Annex C47**

Appendix 75 / 28

**Table C48.1: Partial factors for fractional Threaded rods and reinforcing bars under seismic action performance category C1**

Threaded rod		3/8" to 5/8"	3/4" to 1 1/8"	
Rebar size		#3 to #10		
<b>Tension loading, steel failure <sup>1)</sup></b>				
Partial factor $\gamma_{Ms,N}$	Threaded rod, zinc plated	F568M, Class 5.8	1,50	
		F1554, Grade 36	1,94	
		F1554, Grade 55	1,64	
		F1554, Grade 105	1,43	
		A193, B7	1,43	
	Threaded rod, stainless steel R	F593, Alloy Group 2	1,85	2,27
		A193, Grade B8M, Class 1	[-] 3,00	
		A193, Grade B8M, Class 2B	1,52	
	Reinforcing bar	A615 (A767), Grade 40	1,80	
		A615 (A767), Grade 60	1,80	
		A615 (A767), Grade 75	1,60	
		A706 (A767), Grade 60	1,60	
<b>Shear loading, steel failure <sup>1)</sup></b>				
Partial factor $\gamma_{Ms,V}$	Threaded rod, zinc plated	F568M, Class 5.8	1,25	
		F1554, Grade 36	1,61	
		F1554, Grade 55	1,36	
		F1554, Grade 105	1,50	
		A193, B7	1,50	
	Threaded rod, stainless steel R	F593, Alloy Group 2	1,54	1,89
		A193, Grade B8M, Class 1	[-] 2,50	
		A193, Grade B8M, Class 2B	1,27	
	Reinforcing bar	A615 (A767), Grade 40	1,50	
		A615 (A767), Grade 60	1,50	
		A615 (A767), Grade 75	1,33	
		A706 (A767), Grade 60	1,33	

<sup>1)</sup> In absence of other national regulations.

**fischer Injection System FIS EM PLUS**

**Performance**

Partial factors for Threaded rods and reinforcing bars under seismic action performance category C1 (fractional size)

**Annex C48**

Appendix 76 / 28

**Table C49.1: Characteristic resistance for combined pull-out and concrete failure for fractional Threaded rods in hammer drilled holes under seismic action performance category C1; working life 50 years**

Threaded rod		3/8"	1/2"	5/8"	3/4"	7/8"	1"	1 1/8"		
<b>Characteristic bond resistance, combined pull-out and concrete cone failure</b>										
<b>Hammer-drilling with standard drill bit or hollow drill bit (dry or wet concrete)</b>										
Tem- perature range	I: 24 °C / 40 °C	$\tau_{Rk,C1}$	[N/mm <sup>2</sup> ]	8,5	9,0	9,1	8,5	8,5	8,2	7,1
	II: 35 °C / 60 °C			8,5	9,0	9,1	8,5	8,5	8,2	7,1
	III: 50 °C / 72 °C			8,0	8,5	8,5	8,5	8,5	8,2	7,1
<b>Hammer-drilling with standard drill bit or hollow drill bit (water filled hole)</b>										
Tem- perature range	I: 24 °C / 40 °C	$\tau_{Rk,C1}$	[N/mm <sup>2</sup> ]	7,4	7,7	7,5	6,0	6,0	5,8	5,0
	II: 35 °C / 60 °C			7,4	7,7	7,5	6,0	6,0	5,8	5,0
	III: 50 °C / 72 °C			6,9	7,3	7,0	6,0	6,0	5,8	5,0
<b>Installation factors</b>										
<b>Tension loading</b>										
Dry or wet concrete		$\gamma_{inst}$	[-]	1,0						
Water filled hole				1,2		1,4				

**Table C49.2: Characteristic resistance for combined pull-out and concrete failure for fractional Threaded rods in hammer drilled holes under seismic action performance category C1; working life 100 years**

Threaded rod		3/8"	1/2"	5/8"	3/4"	7/8"	1"	1 1/8"		
<b>Characteristic bond resistance, combined pull-out and concrete cone failure</b>										
<b>Hammer-drilling with standard drill bit or hollow drill bit (dry or wet concrete)</b>										
Tem- perature range	I: 24 °C / 40 °C	$\tau_{Rk,C1}$	[N/mm <sup>2</sup> ]	6,8	6,8	6,9	6,9	6,8	6,3	5,3
	II: 35 °C / 60 °C			6,8	6,8	6,9	6,9	6,8	6,3	5,3
	III: 50 °C / 72 °C			6,4	6,4	6,5	6,4	6,4	5,9	5,1
<b>Hammer-drilling with standard drill bit or hollow drill bit (water filled hole)</b>										
Tem- perature range	I: 24 °C / 40 °C	$\tau_{Rk,C1}$	[N/mm <sup>2</sup> ]	5,9	5,9	5,7	4,9	4,8	4,4	3,7
	II: 35 °C / 60 °C			5,9	5,9	5,7	4,9	4,8	4,4	3,7
	III: 50 °C / 72 °C			5,5	5,5	5,3	4,5	4,5	4,2	3,6
<b>Installation factors</b>										
<b>Tension loading</b>										
Dry or wet concrete		$\gamma_{inst}$	[-]	1,0						
Water filled hole				1,2		1,4				

**fischer Injection System FIS EM PLUS**

**Performance**

Characteristic resist. for combined pull-out and concrete failure under seismic action (C1) for Anchor rods / Threaded rods; working life 50 and 100 years (fractional size)

**Annex C49**

Appendix 77 / 28

**Table C50.1: Characteristic resistance for combined pull-out and concrete failure for fractional reinforcing bars in hammer drilled holes under seismic action performance category C1; working life 50 years**

Rebar size		#3	#4	#5	#6	#7	#8	#9	#10 <sup>1)</sup>	
<b>Characteristic bond resistance, combined pull-out and concrete cone failure</b>										
<b>Hammer-drilling with standard drill bit or hollow drill bit (dry or wet concrete)</b>										
Tem- perature range	I: 24 °C / 40 °C	$\tau_{Rk,C1}$ [N/mm <sup>2</sup> ]	6,2	7,0	7,0	7,0	7,0	7,0	7,0	
	II: 35 °C / 60 °C		6,2	7,0	7,0	7,0	7,0	7,0	7,0	
	III: 50 °C / 72 °C		6,2	7,0	7,0	7,0	7,0	7,0	7,0	
<b>Hammer-drilling with standard drill bit or hollow drill bit (water filled hole)</b>										
Tem- perature range	I: 24 °C / 40 °C	$\tau_{Rk,C1}$ [N/mm <sup>2</sup> ]	6,6	5,7	5,7	5,3	5,3	5,3	5,3	4,4
	II: 35 °C / 60 °C		6,6	5,7	5,7	5,3	5,3	5,3	5,3	4,4
	III: 50 °C / 72 °C		5,7	5,7	5,3	5,3	5,3	5,3	5,3	4,4

**Installation factors**

**Tension loading**

Dry or wet concrete	$\gamma_{inst}$	[-]	1,0						
Water filled hole			1,2						1,4

<sup>1)</sup> Not allowed for drilling with hollow drill bit.

**Table C50.2: Characteristic resistance for combined pull-out and concrete failure for fractional reinforcing bars in hammer drilled holes under seismic action performance category C1; working life 100 years**

Rebar size		#3	#4	#5	#6	#7	#8	#9	#10 <sup>1)</sup>	
<b>Characteristic bond resistance, combined pull-out and concrete cone failure</b>										
<b>Hammer-drilling with standard drill bit or hollow drill bit (dry or wet concrete)</b>										
Tem- perature range	I: 24 °C / 40 °C	$\tau_{Rk,C1}$ [N/mm <sup>2</sup> ]	5,2	5,6	4,6	4,6	4,6	4,6	4,6	4,6
	II: 35 °C / 60 °C		5,2	5,6	4,6	4,6	4,6	4,6	4,6	4,6
	III: 50 °C / 72 °C		5,2	5,6	4,6	4,6	4,6	4,6	4,6	4,6
<b>Hammer-drilling with standard drill bit or hollow drill bit (water filled hole)</b>										
Tem- perature range	I: 24 °C / 40 °C	$\tau_{Rk,C1}$ [N/mm <sup>2</sup> ]	5,6	4,6	3,7	3,4	3,4	3,4	3,4	2,9
	II: 35 °C / 60 °C		5,6	4,6	3,7	3,4	3,4	3,4	3,4	2,9
	III: 50 °C / 72 °C		4,9	4,6	3,4	3,4	3,4	3,4	3,4	2,9

**Installation factors**

**Tension loading**

Dry or wet concrete	$\gamma_{inst}$	[-]	1,0						
Water filled hole			1,2						1,4

<sup>1)</sup> Not allowed for drilling with hollow drill bit.

<b>fischer Injection System FIS EM PLUS</b>	<b>Annex C50</b> Appendix 78 / 28
<b>Performance</b> Characteristic resistance for combined pull-out and concrete failure under seismic action (C1) for and reinforcing bars; working life 50 and 100 years (fractional size)	

**Table C51.1: Fire resistance to steel failure under tension and shear loading for metric Anchor rods and Threaded rods part 1**

Fire resistance to steel failure under tension and shear loading						
Anchor rod / Threaded rod ISO 898-1 Class 5.8 and higher	R30			R60		
	$N_{Rk,s,fi,30}$ [kN]	$V_{Rk,s,fi,30}$ [kN]	$M^0_{Rk,s,fi,30}$ [Nm]	$N_{Rk,s,fi,60}$ [kN]	$V_{Rk,s,fi,60}$ [kN]	$M^0_{Rk,s,fi,60}$ [Nm]
M8	1,6	1,6	1,7	1,2	1,2	1,2
M10	3,3	3,3	4,2	2,3	2,3	3,0
M12	5,8	5,8	9,1	4,0	4,0	6,2
M14	6,6	6,6	12,0	4,6	4,6	8,4
M16	10,9	10,9	15,1	7,5	7,5	11,2
M20	11,1	11,1	29,4	8,2	8,2	21,8
M22	13,7	13,7	40,5	10,1	10,1	30,0
M24	16,0	16,0	50,9	11,8	11,8	37,7
M27	20,8	20,8	75,5	15,4	15,4	56,0
M30	25,4	25,4	102,0	18,8	18,8	75,6
Anchor rod / Threaded rod ISO 898-1 Class 5.8 and higher	R90			R120		
	$N_{Rk,s,fi,90}$ [kN]	$V_{Rk,s,fi,90}$ [kN]	$M^0_{Rk,s,fi,90}$ [Nm]	$N_{Rk,s,fi,120}$ [kN]	$V_{Rk,s,fi,120}$ [kN]	$M^0_{Rk,s,fi,120}$ [Nm]
M8	0,8	0,8	0,8	0,6	0,6	0,6
M10	1,4	1,4	1,8	0,9	0,9	1,1
M12	2,1	2,1	3,3	1,2	1,2	1,9
M14	2,7	2,7	4,9	1,7	1,7	3,2
M16	4,0	4,0	7,3	2,3	2,3	5,3
M20	5,3	5,3	14,2	3,9	3,9	10,4
M22	6,6	6,6	19,5	4,8	4,8	14,3
M24	7,7	7,7	24,6	5,6	5,6	18,0
M27	10,0	10,0	36,4	7,3	7,3	26,7
M30	12,3	12,3	49,3	9,0	9,0	36,1

**fischer Injection System FIS EM PLUS**

**Performance**

Fire resistance to steel failure under tension and shear loading for metric Anchor rods and Threaded rods part 1

**Annex C51**

Appendix 79 / 28

**Table C52.1: Fire resistance to steel failure under tension and shear loading for metric Anchor rods and Threaded rods part 2**

Anchor rods R and HCR and Threaded rod, EN ISO 3506-1 Class A4-50 and higher	R30			R60		
	$N_{Rk,s,fi,30}$ [kN]	$V_{Rk,s,fi,30}$ [kN]	$M^0_{Rk,s,fi,30}$ [Nm]	$N_{Rk,s,fi,60}$ [kN]	$V_{Rk,s,fi,60}$ [kN]	$M^0_{Rk,s,fi,60}$ [Nm]
M8	0,7	0,7	0,7	0,5	0,5	0,6
M10	1,4	1,4	1,8	1,1	1,1	1,5
M12	2,5	2,5	3,9	2,1	2,1	3,9
M14	3,4	3,4	6,2	2,8	2,8	6,2
M16	4,7	4,7	9,9	3,9	3,9	9,9
M20	7,3	7,3	19,4	6,1	6,1	19,4
M22	9,0	9,0	26,7	7,5	7,5	26,7
M24	10,5	10,5	33,6	8,8	8,8	28,0
M27	13,7	13,7	49,9	11,4	11,4	41,6
M30	16,8	16,8	67,4	14,0	14,0	56,2
Anchor rods R and HCR and Threaded rod, EN ISO 3506-1 Class A4-50 and higher	R90			R120		
	$N_{Rk,s,fi,90}$ [kN]	$V_{Rk,s,fi,90}$ [kN]	$M^0_{Rk,s,fi,90}$ [Nm]	$N_{Rk,s,fi,120}$ [kN]	$V_{Rk,s,fi,120}$ [kN]	$M^0_{Rk,s,fi,120}$ [Nm]
M8	0,4	0,4	0,4	0,3	0,3	0,3
M10	0,9	0,9	1,2	0,8	0,8	1,0
M12	1,6	1,6	3,9	1,3	1,3	3,9
M14	2,3	2,3	6,2	1,8	1,8	6,2
M16	3,1	3,1	9,9	2,5	2,5	9,9
M20	4,9	4,9	19,4	3,9	3,9	19,4
M22	6,0	6,0	26,7	4,8	4,8	26,7
M24	7,0	7,0	22,4	5,6	5,6	17,9
M27	9,1	9,1	33,2	7,3	7,3	26,6
M30	11,2	11,2	44,9	8,9	8,9	35,9

**fischer Injection System FIS EM PLUS**

**Performance**

Fire resistance to steel failure under tension and shear loading for metric Anchor rods and Threaded rods part 2

**Annex C52**

Appendix 80 / 28

**Table C53.1: Fire resistance to steel failure under tension and shear loading for fractional Threaded rods**

<b>Fire resistance to steel failure under tension and shear loading</b>						
<b>Threaded rod</b>	<b>R30</b>			<b>R60</b>		
Steel zinc plated; detailed materials see Table A7.1, part No 2 <sup>1)</sup>	$N_{Rk,s,fi,30}$ [kN]	$V_{Rk,s,fi,30}$ [kN]	$M^0_{Rk,s,fi,30}$ [Nm]	$N_{Rk,s,fi,60}$ [kN]	$V_{Rk,s,fi,60}$ [kN]	$M^0_{Rk,s,fi,60}$ [Nm]
3/8"	2,7	2,7	3,2	1,9	1,9	2,3
1/2"	5,9	5,9	9,6	4,1	4,1	6,7
5/8"	6,7	6,7	13,7	4,9	4,9	10,1
3/4"	9,7	9,7	24,3	7,2	7,2	18,0
7/8"	13,5	13,5	39,4	10,0	10,0	29,2
1"	17,7	17,7	59,3	13,1	13,1	43,9
1 1/8"	22,3	22,3	83,8	16,5	16,5	62,2
<b>Threaded rod</b>	<b>R90</b>			<b>R120</b>		
Steel zinc plated; detailed materials see Table A7.1, part No 2 <sup>1)</sup>	$N_{Rk,s,fi,90}$ [kN]	$V_{Rk,s,fi,90}$ [kN]	$M^0_{Rk,s,fi,90}$ [Nm]	$N_{Rk,s,fi,120}$ [kN]	$V_{Rk,s,fi,120}$ [kN]	$M^0_{Rk,s,fi,120}$ [Nm]
3/8"	1,1	1,1	1,4	0,8	0,8	0,9
1/2"	2,3	2,3	3,7	1,3	1,3	2,2
5/8"	3,6	3,6	7,5	2,2	2,2	4,5
3/4"	4,7	4,7	11,7	3,4	3,4	8,6
7/8"	6,5	6,5	19,0	4,7	4,7	13,9
1"	8,5	8,5	28,6	6,2	6,2	20,9
1 1/8"	10,7	10,7	40,5	7,9	7,9	29,6
<b>Threaded rod</b>	<b>R30</b>			<b>R60</b>		
Stainless steel R; detailed materials see Table A7.1, part No 2	$N_{Rk,s,fi,30}$ [kN]	$V_{Rk,s,fi,30}$ [kN]	$M^0_{Rk,s,fi,30}$ [Nm]	$N_{Rk,s,fi,60}$ [kN]	$V_{Rk,s,fi,60}$ [kN]	$M^0_{Rk,s,fi,60}$ [Nm]
3/8"	1,1	1,1	1,4	0,9	0,9	1,1
1/2"	2,7	2,7	4,4	2,2	2,2	3,7
5/8"	4,3	4,3	8,9	3,6	3,6	7,4
3/4"	6,4	6,4	16,1	5,4	5,4	13,4
7/8"	8,9	8,9	26,1	7,4	7,4	21,7
1"	11,7	11,7	39,2	9,7	9,7	32,6
1 1/8"	14,7	14,7	55,4	12,3	12,3	46,2
<b>Threaded rod</b>	<b>R90</b>			<b>R120</b>		
Stainless steel R; detailed materials see Table A7.1, part No 2	$N_{Rk,s,fi,90}$ [kN]	$V_{Rk,s,fi,90}$ [kN]	$M^0_{Rk,s,fi,90}$ [Nm]	$N_{Rk,s,fi,120}$ [kN]	$V_{Rk,s,fi,120}$ [kN]	$M^0_{Rk,s,fi,120}$ [Nm]
3/8"	0,7	0,7	0,9	0,6	0,6	0,7
1/2"	1,8	1,8	2,9	1,4	1,4	2,3
5/8"	2,9	2,9	5,9	2,3	2,3	4,7
3/4"	4,3	4,3	10,7	3,4	3,4	8,5
7/8"	5,9	5,9	17,4	4,7	4,7	13,9
1"	7,8	7,8	26,1	6,2	6,2	20,9
1 1/8"	9,8	9,8	36,9	7,8	7,8	29,5

<sup>1)</sup> No performance assessed for ASTM F1554 Grade 36.

**fischer Injection System FIS EM PLUS**

**Performance**

Fire resistance to steel failure under tension and shear loading for fractional Threaded rods

**Annex C53**

Appendix 81 / 28

## Characteristic bond resistance for cracked concrete under fire conditions for metric and fractional Anchor rods and Threaded rods in hammer drilled holes with standard drill bit or hollow drill bit

The characteristic bond resistance for cracked concrete under fire conditions for a given temperature.

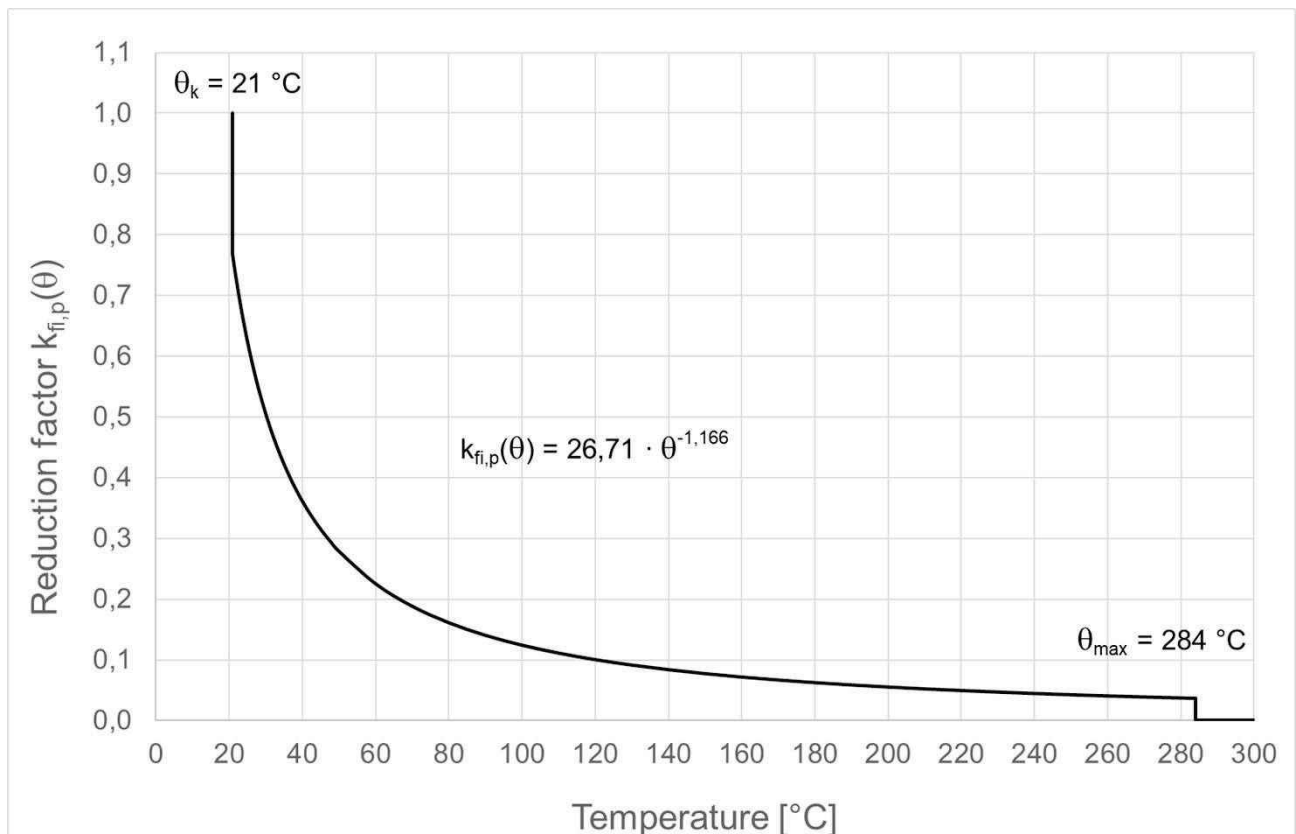
$\tau_{Rk,fi}(\theta)$  has to be calculated by the following equation:

$$\tau_{Rk,fi}(\theta) = k_{fi,p}(\theta) \cdot \tau_{Rk,cr,C20/25}$$

- $\theta$  = Temperature in °C in the mortar layer,
- $\tau_{Rk,fi}(\theta)$  = Characteristic bond resistance for cracked concrete under fire exposure for a given temperature in N/mm<sup>2</sup> for concrete classes C20/25 to C50/60.
- $k_{fi,p}(\theta)$  = Reduction factor under fire conditions.
- $\tau_{Rk,cr,C20/25}$  = Characteristic bond resistance for cracked concrete C20/25 in N/mm<sup>2</sup>, given in Table C6.1, Table C7.1, Table C29.1 to Table C31.1, respectively.

Anchor rods or Threaded rods	If: $\theta > 21 \text{ °C}$ If: $\theta > \theta_{max} = 284 \text{ °C}$	$k_{fi,p}(\theta) = 26,71 \cdot \theta^{-1,166} \leq 1,0$ $k_{fi,p}(\theta) = 0$	see Figure C54.1
---------------------------------	--	---	------------------

**Figure C54.1:** Graph of reduction factor  $k_{fi,p}(\theta)$  for Anchor rods or Threaded rods.



**fischer Injection System FIS EM PLUS**

### Performance

Characteristic bond resistance under fire conditions for anchor rods and threaded rods

**Annex C54**

Appendix 82 / 28