



DECLARATION OF PERFORMANCE



DoP: 0141

for fischer FIF-CS-8 (Plastic anchors for use in concrete and masonry) – EN

1. Unique identification code of the product-type: **DoP: 0141**
2. Intended use/es: **For use in external thermal insulation composite systems (ETICS) with rendering for the transmission of wind suction loads, see appendix, especially Annexes B 1 to B 3**
3. Manufacturer: **fischerwerke GmbH & Co. KG, Klaus-Fischer-Straße 1, 72178 Waldachtal, Germany**
4. Authorised representative: --
5. System/s of AVCP: **2+**
6. European Assessment Document: **330196-01-0604**
European Technical Assessment: **ETA-15/0006; 2018-05-31**
Technical Assessment Body: **ETA-Danmark A/S**
Notified body/ies: **1343 – MPA Darmstadt**
7. Declared performance/s:
Mechanical resistance and stability (BWR 1), Safety in use (BWR 4)
 - **Essential characteristics: See appendix, especially Annexes C 1 to C 3****Safety in case of fire (BWR 2)**
 - **EAD does not provide assessment criteria, therefore no assessment possible.**
8. Appropriate Technical Documentation and/or Specific Technical Documentation: ---

The performance of the product identified above is in conformity with the set of declared performance/s. This declaration of performance is issued, in accordance with Regulation (EU) No 305/2011, under the sole responsibility of the manufacturer identified above.

Signed for and on behalf of the manufacturer by:

Andreas Bucher, Dipl.-Ing.

Wolfgang Hengesbach, Dipl.-Ing., Dipl.-Wirtsch.-Ing.

Tumlingen, 2018-06-07

- This DoP has been prepared in different languages. In case there is a dispute on the interpretation the english version shall always prevail.
- The Appendix includes voluntary and complementary information in English language exceeding the (language-neutrally specified) legal requirements.



ETA-Danmark A/S
Göteborg Plads 1
DK-2150 Nordhavn
Tel. +45 72 24 59 00
Fax +45 72 24 59 04
Internet www.etadanmark.dk

Appendix 1 / 14

Authorised and notified according
to Article 29 of the Regulation (EU)
No 305/2011 of the European
Parliament and of the Council of 9
March 2011

MEMBER OF EOTA



European Technical Assessment ETA-15/0006 of 2018/05/31

I General Part

Technical Assessment Body issuing the ETA and designated according to Article 29 of the Regulation (EU) No 305/2011: ETA-Danmark A/S

Trade name of the construction product:

fischer FIF-CS-8

Product family to which the above construction product belongs:

Screwed-in plastic anchor for fixing of external thermal insulation composite systems with rendering in concrete and masonry

Manufacturer:

fischerwerke GmbH & Co. KG
Klaus-Fischer-Straße 1
DE-72178 Waldachtal

Manufacturing plant:

fischerwerke

This European Technical Assessment contains:

14 pages including 3 annexes which form an integral part of the document

This European Technical Assessment is issued in accordance with Regulation (EU) No 305/2011, on the basis of:

EAD 330196-01-0604 Plastic anchors made of virgin or non-virgin material for fixing of external thermal insulation composite systems with rendering

This version replaces:

The ETA with the same number issued on 2015-03-25

Translations of this European Technical Assessment in other languages shall fully correspond to the original issued document and should be identified as such.

Communication of this European Technical Assessment, including transmission by electronic means, shall be in full (except the confidential Annexes referred to above). However, partial reproduction may be made, with the written consent of the issuing Technical Assessment Body. Any partial reproduction has to be identified as such.

II SPECIFIC PART OF THE EUROPEAN TECHNICAL ASSESSMENT

1 Technical description of product and intended use

Technical description of the product

The screwed-in anchor fischer FIF - CS 8 for fixing of external thermal insulation composite systems (ETICS) consists of an anchor sleeve made of polypropylene with a diameter of 8 mm and an insulation plate made of glass-fiber reinforced polyamide with a diameter of 60 mm. The color of the anchor sleeve is grey. The special compound screw is made of galvanized steel and glass-fiber reinforced polyamide. The anchor is expanded by screwing the screw into the sleeve. It is possible to install the anchor flush to the surface of the insulation.

The product description is given in Annex A.

2 Specification of the intended use in accordance with the applicable EAD

The performances given in Section 3 are only valid if the anchor is used in compliance with the specifications and conditions given in Annex B1 to B3

The provisions made in this European Technical Assessment are based on an assumed intended working life of the anchor of 25 years.

The indications given on the working life cannot be interpreted as a guarantee given by the producer or Assessment Body, but are to be regarded only as a means for choosing the right products in relation to the expected economically reasonable working life of the works.

3 Performance of the product and references to the methods used for its assessment

3.1 Characteristics of product

Mechanical resistance and stability (BWR 1):

The essential characteristics regarding mechanical resistance and stability are included under the Basic Works Requirement Safety in use.

Safety in case of fire (BWR 2):

No Performance determined

Safety in use (BWR4):

The essential characteristics are detailed in the Annex from C1 to C3.

Sustainable use of natural resources (BWR7)

No performance determined

Other Basic Requirements are not relevant.

General aspects

The verification of durability is part of testing of the essential characteristics. Durability is only ensured if the specifications of intended use according to Annex B are taken into account.

3.2 Methods of assessment

The assessment of fitness of the anchor for the intended use in relation to the requirements for mechanical resistance and stability and safety in use in the sense of the Basic Requirements 4 has been made in accordance with the EAD 330196-01-0604 Plastic anchors made of virgin or non-virgin material for fixing of external thermal insulation composite systems with rendering.

4 Assessment and verification of constancy of performance (AVCP)

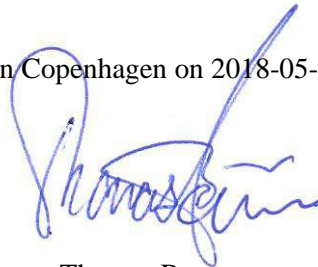
4.1 AVCP system

According to the decision 97/463/EC of the European Commission, the system(s) of assessment and verification of constancy of performance (see Annex V to Regulation (EU) No 305/2011) is 2+.

5 Technical details necessary for the implementation of the AVCP system, as foreseen in the applicable EAD

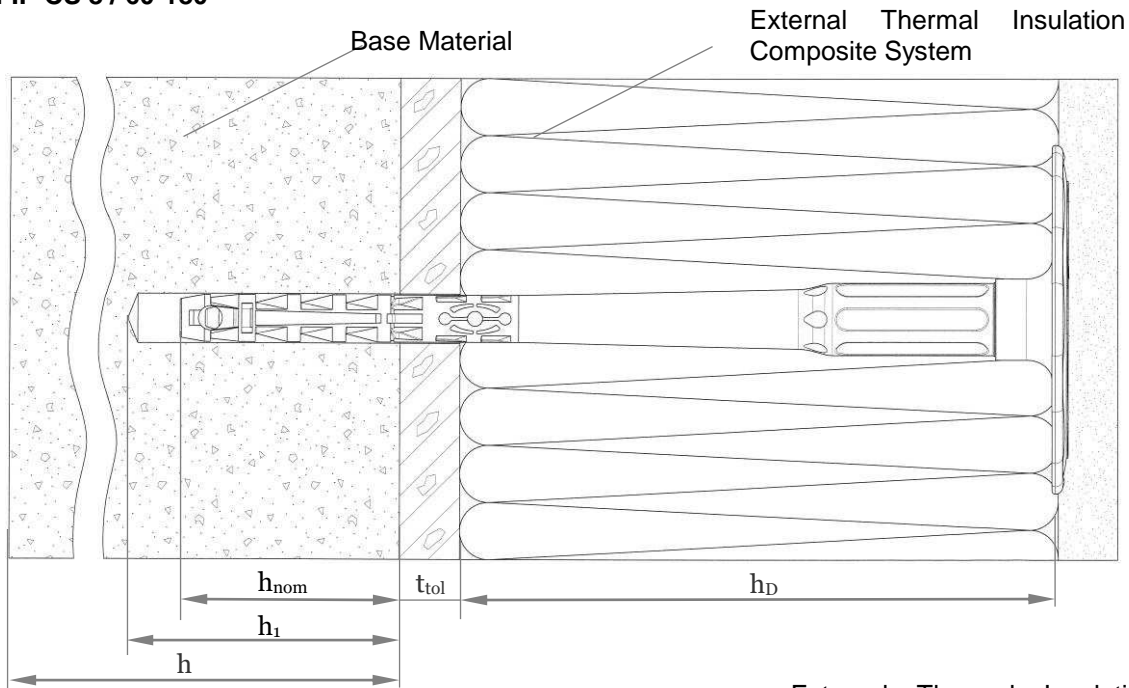
Technical details necessary for the implementation of the AVCP system are laid down in the control plan deposited at ETA-Danmark prior to CE marking

Issued in Copenhagen on 2018-05-31 by

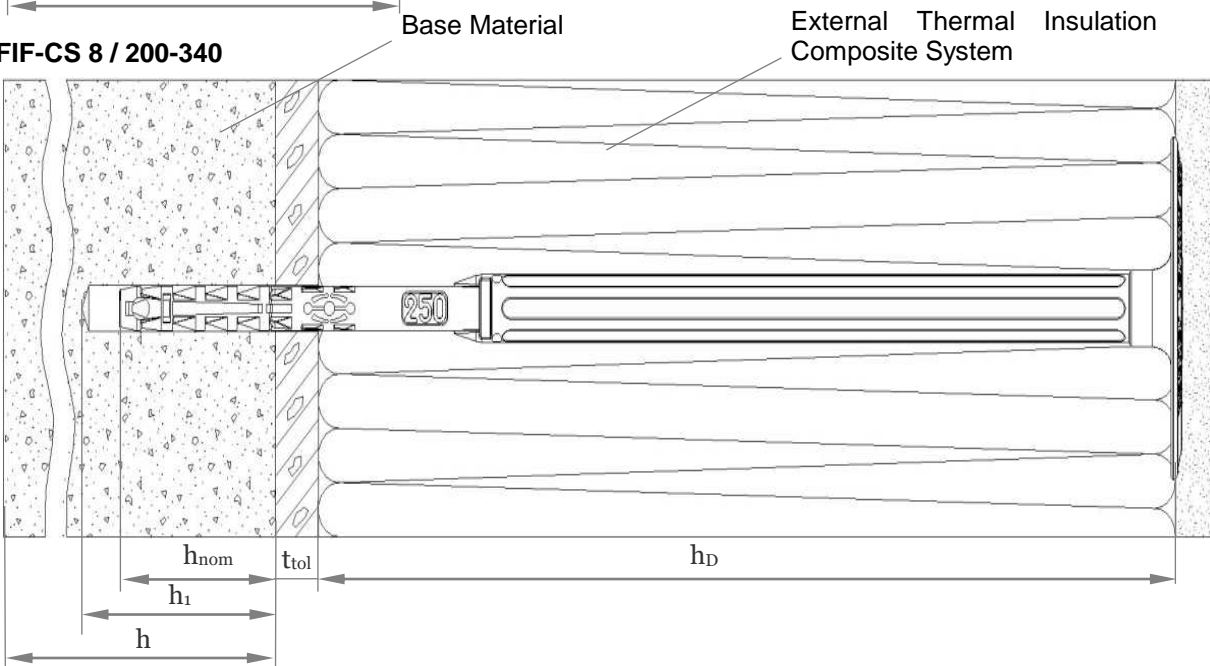


Thomas Bruun
Managing Director, ETA-Danmark

FIF-CS 8 / 60-180



FIF-CS 8 / 200-340



Legend

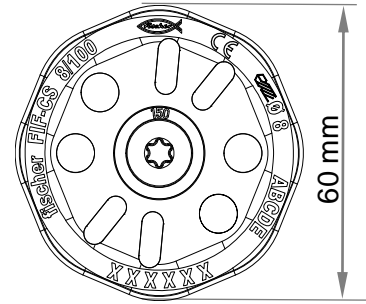
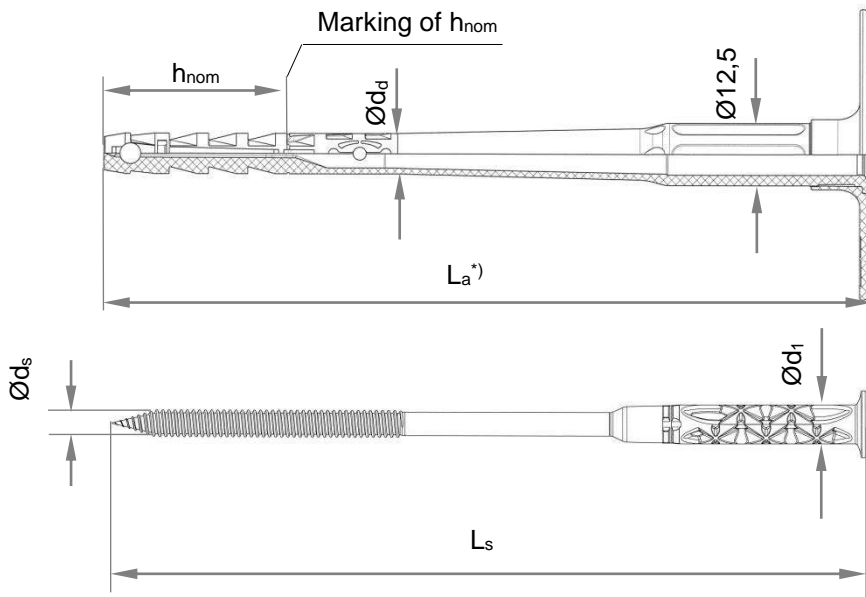
- h_{nom} = Overall plastic anchor embedment depth in the base material
- h_1 = Depth of drilled hole to deepest point
- h = Thickness of member (wall)
- h_D = Thickness of insulation material
- t_{tol} = Thickness of equalizing layer or non-load bearing coating

fischer FIF-CS-8

Product description - Installed anchor

Annex A1
of European
Technical Assessment
ETA-15/0006

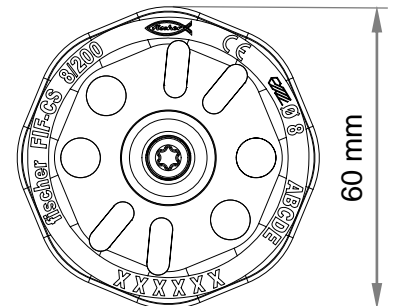
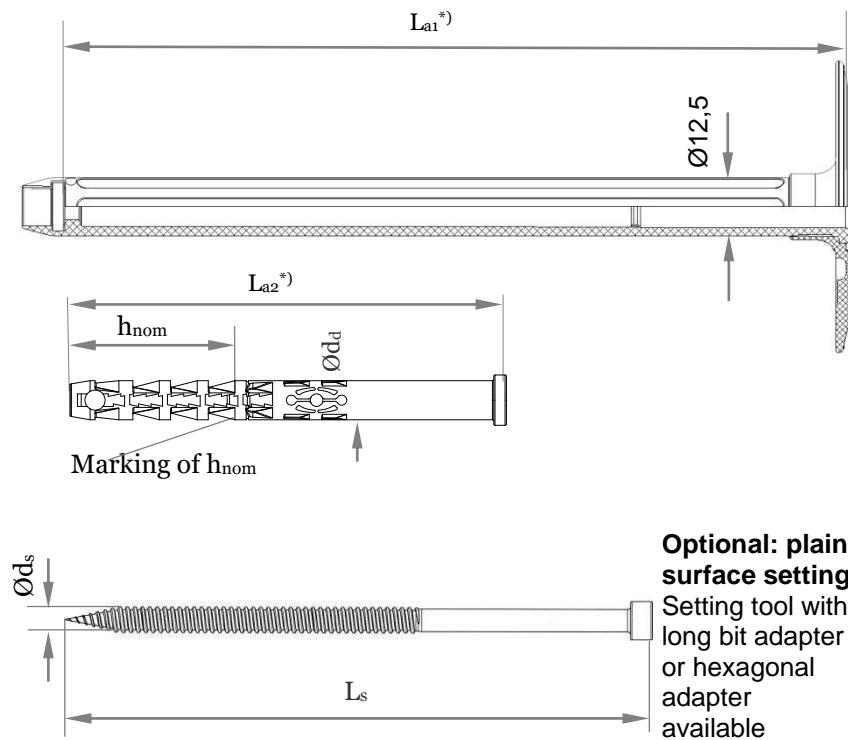
Anchor sleeve / Specific screw for FIF-CS 8 / 60-180



*) FIF-CS 8 / 60-180:
 $110 \leq L_a \leq 230$

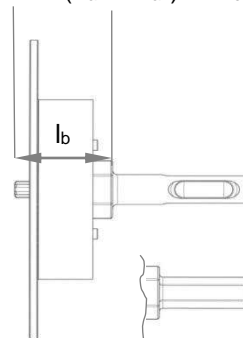
Thickness of insulation material:
 $h_D = L_a - h_{nom} - t_{tol}$

Shaft / Anchor sleeve / Specific screw for FIF-CS 8 / 200-340



*) FIF-CS 8 / 200-340:
 $250 \leq L_a \leq 390$

Thickness of insulation material: $h_D = (L_{a1} + L_{a2}) - h_{nom} - t_{tol}$



fischer FIF-CS-8

Product description - Installed anchor

Annex A2

of European
 Technical Assessment
 ETA-15/0006

Table A3.1: Marking


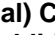
	Designation
Name and size of anchor	FIF-CS-8
Example	fischer FIF-CS-8  (optional) CE  (optional) Ø 8 ABCDE (optional) and xxxxx additional marks possible

Table A3.2: Dimensions [mm]

Anchor type	Anchor sleeve		Shaft		Specific screw			Length of bits l_b	
	$\varnothing d_d$	h_{nom}	L_a	$(L_{a1}+L_{a2})$	$\varnothing d_s$	l_s	$\varnothing d_1$	l_b [mm]	size
FIF-CS 8 / 60-180	8	35	110-230	-	5,4	L_a	8	30	T30
FIF-CS 8 / 200-340	8	35	-	250-390	5,4	$(L_{a1} + L_{a2}) - 155mm$	-	180	T25
FIF-CS Renovation type 8 / 200-260	8	35	-	250-310	5,4	$(L_{a1} + L_{a2}) - 75mm$	-	100	T25

Table A3.3: Materials

Designation	Material
Anchor sleeve	PP colour: grey
Shaft (FIF-CS-8 / 200-340)	PA6 GF colour: grey
Specific compound screw (FIF-CS-8 / 60-180) or specific screw (FIF-CS-8 / 200-340)	PA6 GF with Steel gal Zn A2G or A2F acc. to EN ISO 4042 Steel gal Zn A2G or A2F according to EN ISO 4042 or stainless steel 1.4362 duplex coating, 1.4401, 1.4571, 1.4529 acc. to EN 10088
Anchor plate	PA6 GF colour: grey

fischer FIF-CS-8

Product description – Dimension and materials

Annex A3
of European
Technical Assessment
ETA-15/0006

Drawing of the slip-on plates

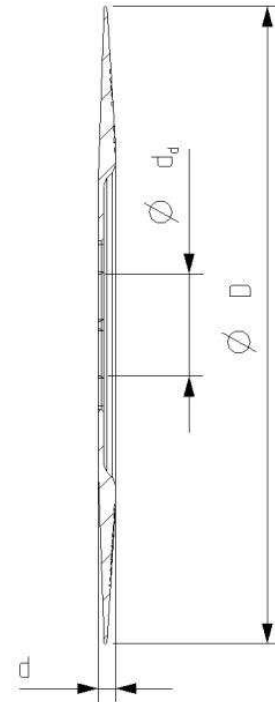
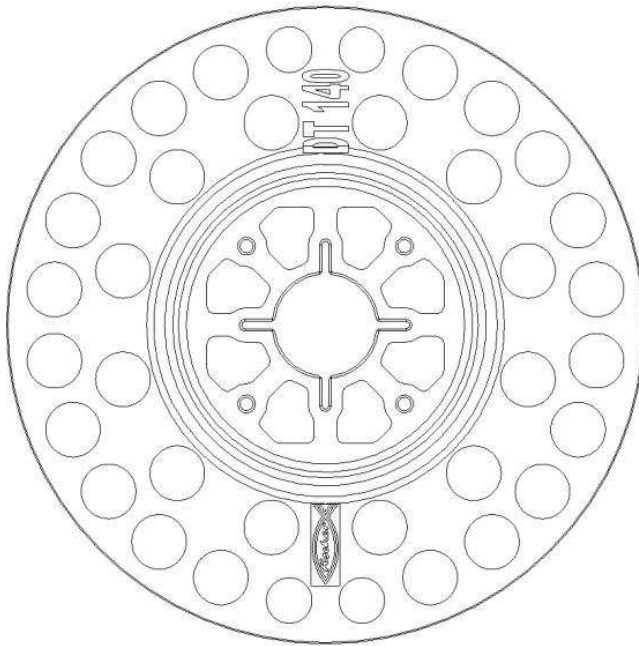


Table A4.1: Slip-on plates, diameters and material

Slip-on plate	Ø D [mm]	Ø d _d [mm]	d [mm]	Material
DT 90 / 110 / 140	90 / 110 / 140	22,5	3,9	PA 6 GF

fischer FIF-CS-8

Product description – Slip-on plates combined with FIF-CS-8

Annex A4
of European
Technical Assessment
ETA-15/0006

Specifications of intended use

Anchorage subject to:

- The anchor may only be used for transmission of wind suction loads and shall not be used for the transmission of dead loads of the thermal insulation composite system.

Base materials:

- Normal weight concrete (use category A) according to Annex C1.
- Solid masonry (use category B), according to Annex C1.
- Hollow or perforated masonry (use category C), according to Annex C1.
- Hollow or perforated masonry (use category D), according to Annex C1.
- Hollow or perforated masonry (use category E), according to Annex C1.
- For other base materials of the use categories A, B, C, D or E the characteristic resistance of the anchor may be determined by job site tests according to EOTA Technical Report TR 051.

Temperature Range:

- 0°C to +40°C (max. short term temperature +40°C and max. long term temperature +24°C).

Design:

- The anchorages are designed under the responsibility of an engineer experienced in anchorages and masonry work with the partial safety factors $\gamma_M = 2,0$ and $\gamma_F = 1,5$, if there are no other national regulations.
- Verifiable calculation notes and drawings are prepared taking account of the loads to be anchored. The position of the anchors is indicated on the design drawings.
- Fasteners are only to be used for multiple fixings of ETICS.

Installation:

- Drilling method according to Annex C1.
- Anchor installation carried out by appropriately qualified personnel and under the supervision of the person responsible for technical matters on the site.
- Installation temperature from 0°C to +40°C
- Exposure to UV due to solar radiation of the anchor not protected by rendering ≤ 6 weeks

fischer FIF-CS-8

Intended use - Specifications

Annex B1
of European
Technical Assessment
ETA-15/0006

Table B2.1: Installation parameters for use categories A, B, C, D and E

Anchor type		FIF-CS-8
Nominal drill hole diameter	$d_0 =$ [mm]	8
Cutting diameter of drill bit	$d_{cut} \leq$ [mm]	8,45
Depth of drill hole to deepest point	$h_1 \geq$ [mm]	45
Overall plastic anchor embedment depth in the base material	$h_{nom} \geq$ [mm]	35

Table B2.2: Installation parameters for cat. "C" only valid for tested masonry units (see Annex C1

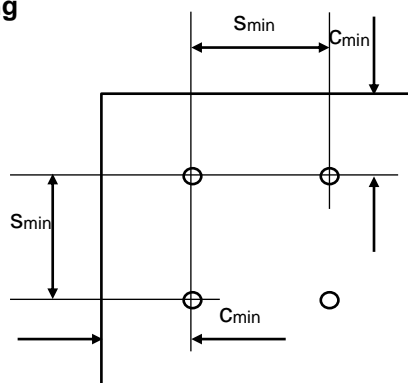
Anchor type		FIF-CS
Nominal drill hole diameter	$d_0 =$ [mm]	8
Cutting diameter of drill bit	$d_{cut} \leq$ [mm]	8,45
Depth of drill hole to deepest point	$h_1 \geq$ [mm]	35
Overall plastic anchor embedment depth in the base material	$h_{nom} \geq$ [mm]	25

Table B2.3: Anchor distances and dimensions of members

Anchor type		FIF-CS
Minimum thickness of member	$h^{1)} \geq$ [mm]	100
Minimum spacing	$s_{min} =$ [mm]	100
Minimum edge distance	$c_{min} =$ [mm]	100

1) not valid for weather shells acc. to C1

Scheme of distances and spacing



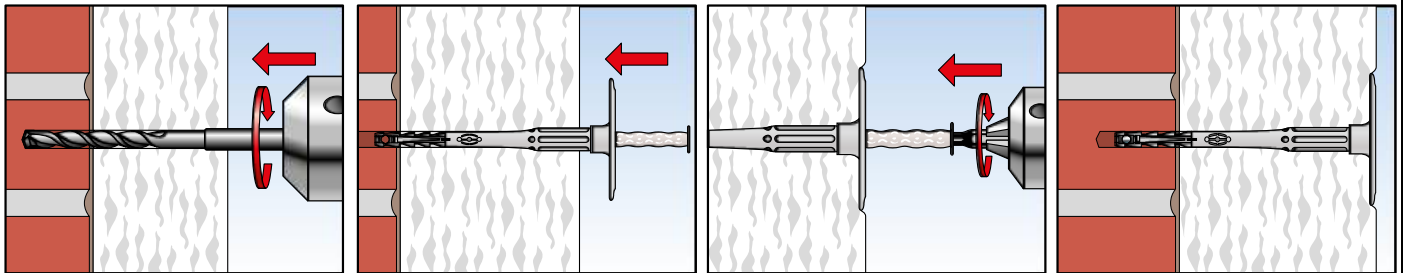
fischer FIF-CS-8

Installation parameters for use categories

Annex B2
of European
Technical Assessment
ETA-15/0006

Installation instructions

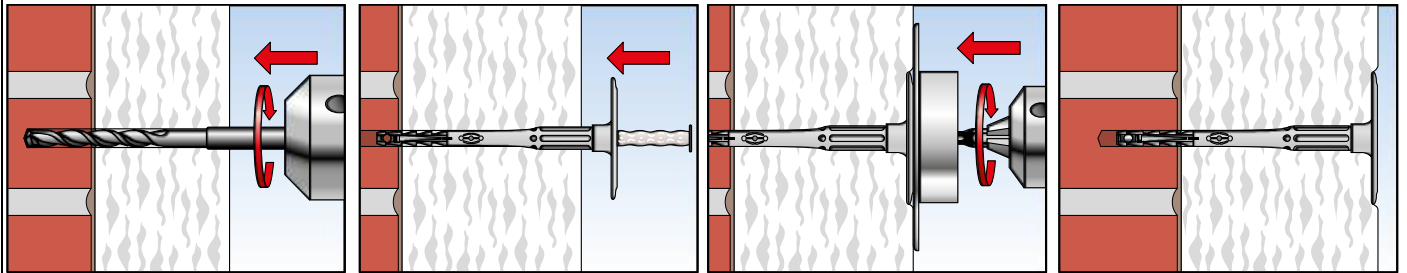
Standard setting of anchor (plain surface)



1. Drill hole by corresponding drilling method
2. Insert anchor manually
3. Set anchor by machine
4. Correctly installed anchor

Optional:

Setting of anchor by setting tool



1. Drill hole by corresponding drilling method
2. Insert anchor manually
3. Set anchor by setting tool with the machine
4. Correctly installed anchor

fischer FIF-CS-8

Procedure

Annex B3
of European
Technical Assessment
ETA-15/0006

Table C1.1: Char. resistance to tension loads NRk in concrete, masonry, LAC and AAC for a single anchor in kN

Base material	Use Cat.	Bulk density class ρ [kg/dm ³]	Minimum compressive strength f_b [N/mm ²]	Remarks	Drill mode ¹⁾	Characteristic resistance FIF CS N_{RK} [kN]
Concrete \geq C 12/15 - C 50/60	A	-		EN 206-1:2000	H	1,2
Solid Clay bricks e.g. acc. to DIN 105-100:2012-01, EN 771-1:2011, Mz	B	$\geq 1,8$	20	Cross section reduced up to 15% by perforation vertically to the resting area	H	1,2
Vertically perforated clay bricks e.g. acc. to DIN 105-100:2012-01, EN 771-1:2011, HLz	C	$\geq 1,0$	12	Cross section between 15% and 50% by perforation vertically to the resting area. Exterior web thickness ≥ 12 mm	R	0,6³⁾
Lightweight Aggregate Concrete \geq LAC 6	D	$\geq 0,9$	6	DIN EN 1520	H	0,6
Autoclaved aerated concrete blocks, e.g. AAC acc. to DIN V 4165-100:2005-10, EN 771-4 hnom = 35mm	E	$\geq 0,50$	4	DIN V 4165-100	R	0,3
Partial safety factor					$\gamma_M^{2)}$	2,0
<p>1) H = Hammer drilling, R = Rotary drilling 2) In absence of other national regulations 3) Values also valid for reduced anchorage depth 25 mm (see Table B2.2)</p>						
fischer FIF-CS-8					Annex C1	
Performances					of European	
Characteristic resistance of the anchor use categories A, B, C, D and E					Technical Assessment ETA-15/0006	

Table C2.1: Point thermal transmittance acc. to EOTA Technical Report TR 025:2007-06

Anchor type	Thickness of insulation material h_D [mm]	Point thermal transmittance χ [W/K]
FIF-CS 8 / 60 – 180 flush mounted	60 - 80	0,001
	100 - 180	0,002
FIF-CS 8 / 200 – 340 flush mounted	200 - max.	0,001
FIF-CS 8 / 200 - 260 ^{*)} flush mounted	200 - 220	0,001
	240 - 260	0,002

*) Renovation type

Table C2.2: Plate stiffness acc. to EOTA Technical Report TR 026:2007-06

Anchor type	Max. size of the anchor plate [mm]	Load resistance of the anchor plate [kN]	Plate stiffness [kN/mm]
FIF-CS-8	60	1,63	0,6

Table C4: Displacements

Base material	Tension load F_{Rd} [kN]	Displacements δ_m [mm]
Concrete \geq C12/15 to C 50/60 (EN 206-1:2000)	0,40	< 0,3
Clay brick DIN 105-100:2012-01, EN 771-1:2011, Mz 20	0,40	< 0,3
Vertically perforated Clay brick acc. to 105-100:2012-01, EN 771-1:2011, Hlz 12	0,20	< 0,2
Lightweight Aggregate Concrete \geq LAC 6 DIN EN 1520	0,20	< 0,2
Autoclaved aerated concrete blocks acc. to DIN V 4165-100:2005-10 EN 771-4, AAC 4, $h_{nom} = 35$ mm	0,10	< 0,1

fischer FIF-CS-8

Performance - Point thermal transmittance, plate stiffness and displacements

Annex C2
of European
Technical Assessment
ETA-15/0006