

## PROHLÁŠENÍ O VLASTNOSTECH

### DoP 0345

pro fischer TermoFix PN 8 / TermoFix CN 8 (Plastové hmoždinky pro použití do betonu a zdiva)

CS

- |  |  |                       |
|--|--|-----------------------|
| 1. <u>Jedinečný identifikační kód typu výrobku:</u>                                | <b>DoP 0345</b>  |                       |
| 2. <u>Zamýšlené/zamýšlená použití:</u>   | <b>Zatloukáci plastová kotva pro ukotvení vnějších kontaktních tepelně izolačních kompozitních systémů s omítkou do betonu a zdiva, viz. dodatek, obzvláště Přílohy B1 - B3.</b> |                       |
| 3. <u>Výrobce:</u>   | <b>fischerwerke GmbH &amp; Co. KG, Klaus-Fischer-Str. 1, 72178 Waldachtal, Německo</b>   |                       |
| 4. <u>Zplnomocněný zástupce:</u>   | <b>-</b>   |                       |
| 5. <u>Systém/systémy POSV:</u>   | <b>2+</b>  |                       |
| 6. <u>Evropský dokument pro posuzování:</u>  | <b>EAD 330196-01-0604</b>  |                       |
| Evropské technické posouzení:  | <b>ETA-23/0453; 2023-11-06</b>   |                       |
| Subjekt pro technické posouzení:   | <b>TZÚS - Technical and Test Institute for Construction Prague</b>   |                       |
| Oznámený subjekt/oznámené subjekty:  | <b>2873 TU Darmstadt</b>   |                       |
| 7. <u>Deklarovaná vlastnost/Deklarované vlastnosti:</u>                            |  |                       |
| <b>Bezpečnost při používání (BWR 4)</b>  |  |                       |
| <b>Charakteristická únosnost:</b>  | <b>Charakteristická únosnost při zatížení tahem:</b>   | <b>Přílohy C1, C2</b> |
|  | <b>Minimální okrajová vzdálenost:</b>  | <b>Příloha B2</b>     |
|  | <b>Minimální osová vzdálenost:</b>   | <b>Příloha B2</b>     |
| <b>Posuny:</b>   | <b>Zatížení tahem s dílčím součinitelem:</b>   | <b>Příloha C4</b>     |
|  | <b>Posuny:</b>   | <b>Příloha C4</b>     |
| <b>Tuhost rozšiřujícího talíře:</b>  | <b>Průměr rozšiřujícího talíře:</b>  | <b>Příloha C3</b>     |
|  | <b>Odolnost rozšiřujícího talíře proti zatížení:</b>   | <b>Příloha C3</b>     |
|  | <b>Tuhost rozšiřujícího talíře:</b>  | <b>Příloha C3</b>     |
| <b>Úspora energie a retence tepla (BWR 6)</b>                                      |  |                       |
| <b>Prostup tepla:</b>  | <b>Bodový číselník prostupu tepla kotvy:</b>   | <b>Příloha C3</b>     |
|  | <b>Tloušťka izolační vrstvy ETICS:</b>   | <b>Příloha C3</b>     |
| 8. <u>Příslušná technická dokumentace a/nebo specifická technická dokumentace:</u> | <b>-</b>   |                       |

Vlastnosti výše uvedeného výrobku jsou ve shodě se souborem deklarovaných vlastností. Toto prohlášení o vlastnostech se v souladu s nařízením (EU) č. 305/2011 vydává na výhradní odpovědnost výrobce uvedeného výše.

Podepsáno za výrobce a jeho jménem:



Dr.-Ing. Oliver Geibig, Výkonný ředitel pro obchodní jednotky a inženýrství  
Tumlingen, 2023-12-18



Jürgen Grün, Výkonný ředitel pro chemii a kvalitu

Toto PoV bylo připraveno v různých jazykových mutacích. V případě rozporu vždy rozhoduje interpretace verze v anglickém jazyce.

Příloha obsahuje nepovinné a doplňkové informace v anglickém jazyce nad rámec zákonných požadavků.

## 1. Technical description of the product

The fischer nailed-in anchor TermoFix PN 8 and TermoFix CN 8 consists of a plastic sleeve with plate made of polypropylene and accompanying specific nail.

TermoFix PN plastic nail is made of glass-fiber reinforced polyamide.

TermoFix CN compound nail is made of galvanised steel and glass-fiber reinforced polyamide.

The anchor may in addition be combined with the anchor plates DT 90, DT 110 and DT 140.

The anchor is expanded by hammering the expansion element into the anchor sleeve.

The product description is given in Annex A.

## 2. Specification of the intended use in accordance with the applicable European Assessment Document (EAD)

The performances given in Section 3 are only valid if the anchor is used in compliance with the specifications and conditions given in Annex B.

The provisions made in this European Technical Assessment are based on an assumed working life of the anchor of 25 years. The indications given on the working life cannot be interpreted as a guarantee given by the producer, but are to be regarded only as a means for choosing the right products in relation to the expected economically reasonable working life of the works.

## 3. Performance of the product and references to the methods used for its assessment

### 3.1 Safety in case of fire (BWR 2)

Not assessed based on EAD 330196-01-0604.

### 3.2 Safety in use (BWR 4)

Essential characteristic	Performance
Characteristic resistance under tension loads	See Annex C 1 and C 2
Minimum edge distance and spacing	See Annex B 2
Displacement	See Annex C 4
Plate stiffness	See Annex C 3

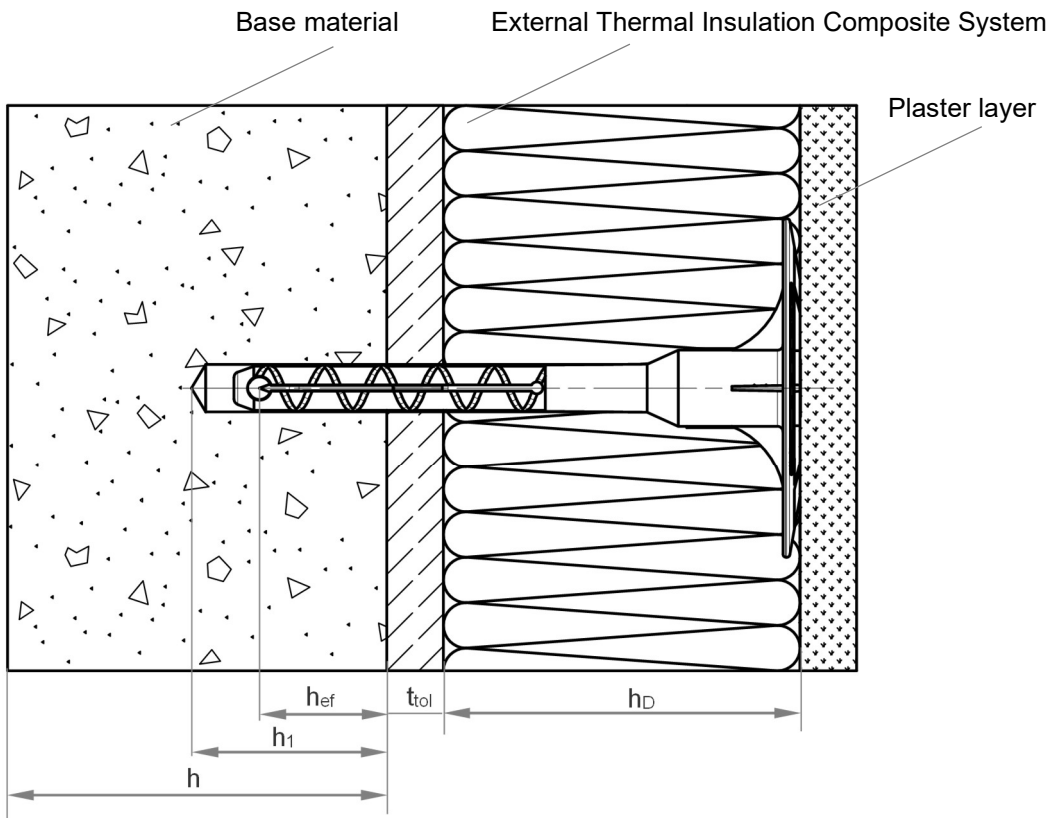
### 3.3 Energy economy and heat retention (BWR 6)

Essential characteristic	Performance
Point thermal transmittance	See Annex C 3

## 4. Assessment and verification of constancy of performance (AVCP) system applied with reference to its legal base

According to the Decision 97/463/EC of the European Commission<sup>1</sup>, the system 2+ of assessment verification of constancy of performance (see Annex V to the Regulation (EU) No 305/2011) apply.

**TermoFix PN 8 / 95 - 215 | TermoFix CN 8 / 95 - 235 – flush mounting**



**Legend**

- $h_{ef}$  = Effective anchorage depth in the base material
- $h_1$  = Depth of drilled hole to deepest point
- $h$  = Thickness of member (wall)
- $h_D$  = Thickness of insulation material
- $t_{tol}$  = Thickness of equalising layer and / or non-load bearing coating

Figure not to scale

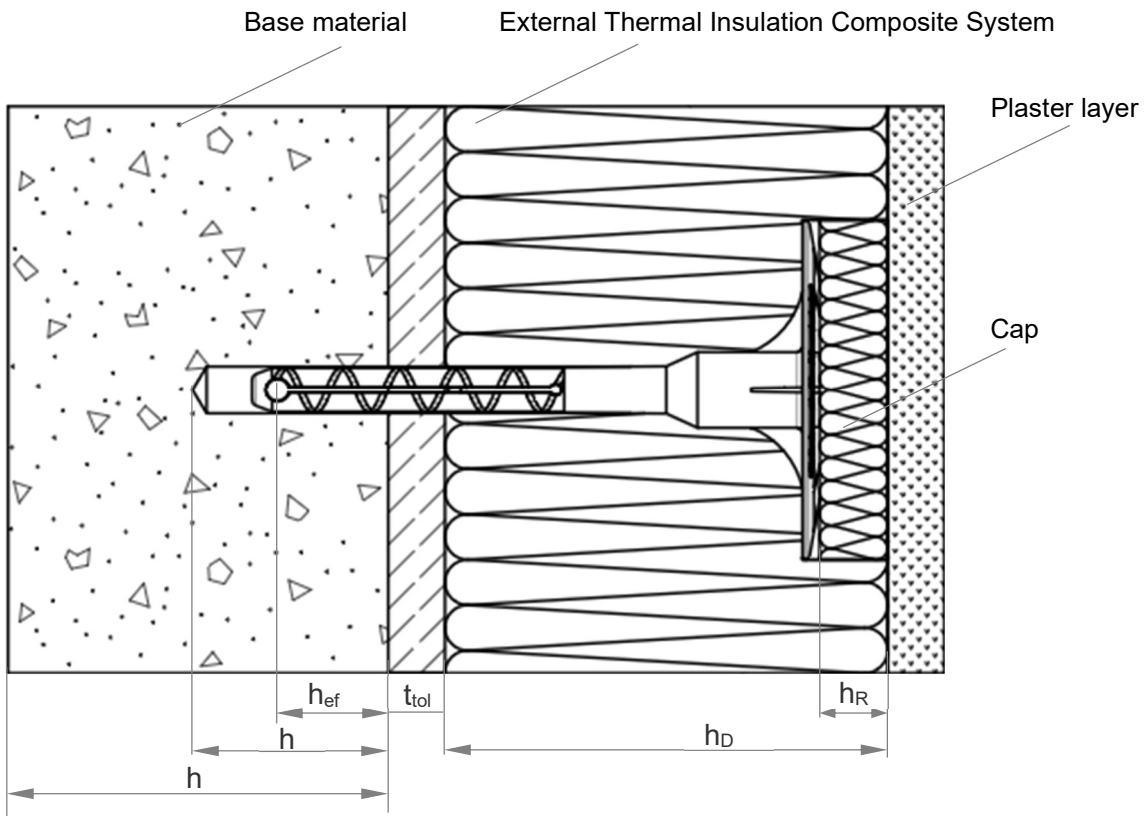
**fischer TermoFix PN 8 | fischer TermoFix CN 8**

**Product description**  
Installed anchor – flush mounting

**Annex A 1**

Appendix 2 / 13

**TermoFix PN 8 / 95 - 215 | TermoFix CN 8 / 95 - 235 – countersunk mounting**



**Legend**

- $h_{ef}$  = Effective anchorage depth in the base material
- $h_1$  = Depth of drilled hole to deepest point
- $h$  = Thickness of member (wall)
- $h_D$  = Thickness of insulation material
- $h_R$  = Thickness of cap
- $t_{tol}$  = Thickness of equalising layer and / or non-load bearing coating

Figure not to scale

**fischer TermoFix PN 8 | fischer TermoFix CN 8**

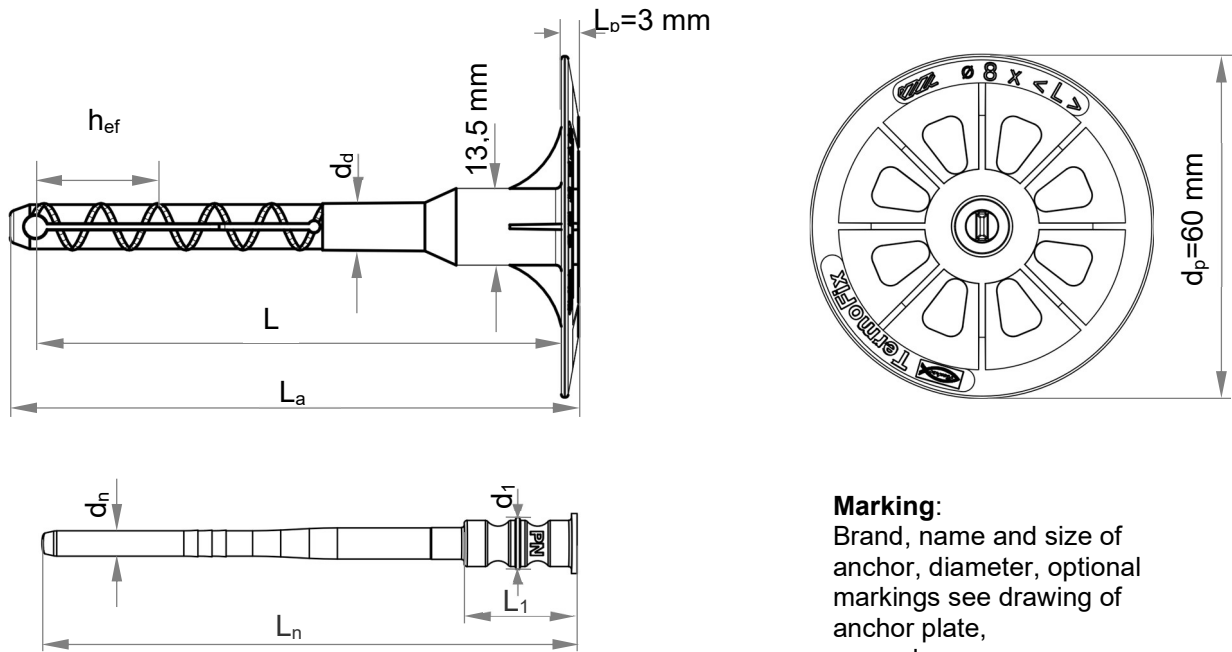
**Product description**

Installed anchor – countersunk mounting

**Annex A 2**

Appendix 3 / 13

## TermoFix PN 8 / 95 - 215



**Marking:**  
 Brand, name and size of anchor, diameter, optional markings see drawing of anchor plate, example TermoFix 8

Various lengths of the anchors are possible.

e.g. for TermoFix PN 8 / 95 - 215:  
 $100 \text{ mm} \leq L_a \leq 220 \text{ mm}$   
 $L_a = L + 5 \text{ mm}$

**Table A3.1: Dimensions TermoFix PN 8 / 95 – 215**

Anchor type	Anchor sleeve with plate		Plastic nail		Plastic cylinder	
	$d_d$ [mm]	$h_{ef}$ [mm]	$L_n$ [mm]	$d_n$ [mm]	$L_1$ [mm]	$d_1$ [mm]
TermoFix PN 8 / 95 - 215	8	25	L	4,4	20	9

Determination of anchor size  
 flush mounting:

e.g. for TermoFix PN 8:  
 $h_D = 120 \text{ mm}$ ,  $h_{ef} = 25 \text{ mm}$ ,  $t_{tol} = 10 \text{ mm}$

countersunk mounting:

e.g. for TermoFix PN 8:  
 $h_D = 120 \text{ mm}$ ,  $h_{ef} = 25 \text{ mm}$ ,  $t_{tol} = 10 \text{ mm}$

minimum  $L = h_D + h_{ef} + t_{tol}$

minimum  $L = 120 + 25 + 10 = 155 \text{ mm}$   
 → recommended size: TermoFix PN 8x155

minimum  $L = h_D + h_{ef} + t_{tol} - 20 \text{ mm}$

minimum  $L = 120 + 25 + 10 - 20 = 135 \text{ mm}$   
 → recommended size: TermoFix PN 8x135

Figures not to scale

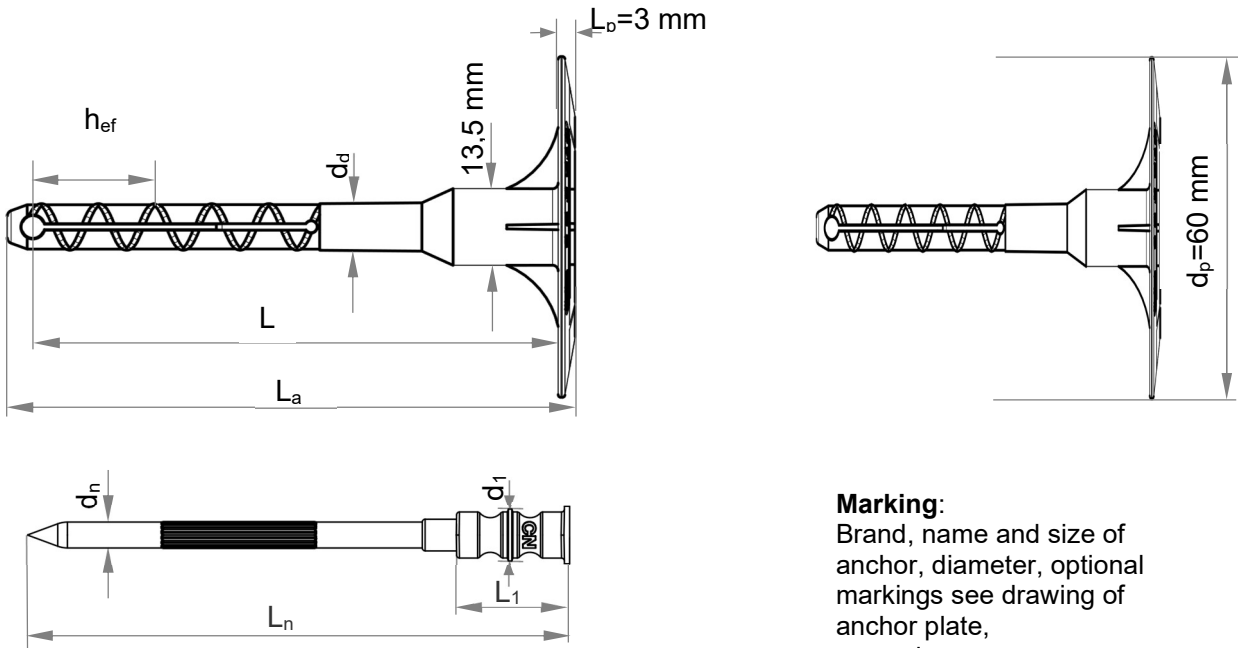
fischer TermoFix PN 8 | fischer TermoFix CN 8

**Product description**  
 Dimensions TermoFix PN 8 / 95 - 215

**Annex A 3**

Appendix 4 / 13

## TermoFix CN 8 / 95 - 235



**Marking:**  
Brand, name and size of anchor, diameter, optional markings see drawing of anchor plate, example TermoFix 8

Various lengths of the anchors are possible.

e.g. for TermoFix CN 8 / 95 - 235:  
 $100 \text{ mm} \leq L_a \leq 240 \text{ mm}$   
 $L_a = L + 5 \text{ mm}$

**Table A4.1: Dimensions TermoFix CN 8 / 95 – 235**

Anchor type	Anchor sleeve with plate		Specific compound nail			
	$d_d$ [mm]	$h_{ef}$ [mm]	$L_n$ [mm]	$d_n$ [mm]	$L_1$ [mm]	$d_1$ [mm]
TermoFix CN 8 / 95 - 235	8	25	L	4,5	20	9

Determination of anchor size  
flush mounting:

$$\text{minimum } L = h_D + h_{ef} + t_{tol}$$

e.g. for TermoFix CN 8:  
 $h_D = 120 \text{ mm}$ ,  $h_{ef} = 25 \text{ mm}$ ,  $t_{tol} = 10 \text{ mm}$

$$\text{minimum } L = 120 + 25 + 10 = 155 \text{ mm}$$

→ recommended size: TermoFix CN 8x155

countersunk mounting:

$$\text{minimum } L = h_D + h_{ef} + t_{tol} - 20 \text{ mm}$$

e.g. for TermoFix CN 8:  
 $h_D = 120 \text{ mm}$ ,  $h_{ef} = 25 \text{ mm}$ ,  $t_{tol} = 10 \text{ mm}$

$$\text{minimum } L = 120 + 25 + 10 - 20 = 135 \text{ mm}$$

→ recommended size: TermoFix CN 8x135

Figures not to scale

fischer TermoFix PN 8 | fischer TermoFix CN 8

**Product description**  
Dimensions TermoFix CN 8 / 95 - 235

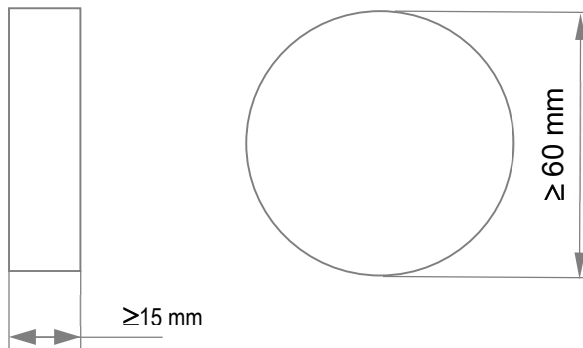
**Annex A 4**

Appendix 5 / 13

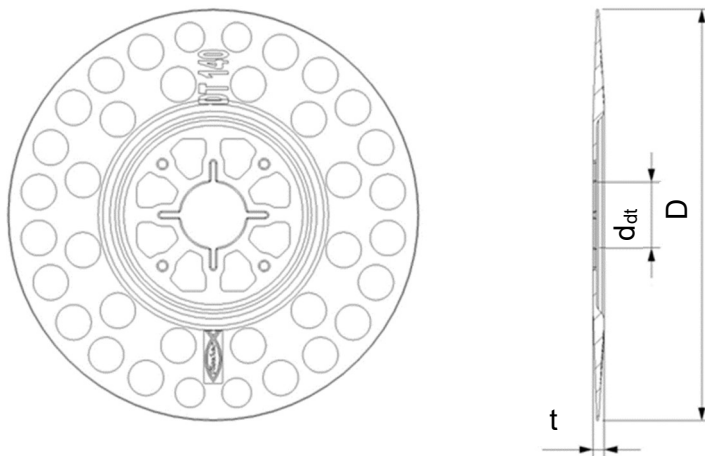
**Table A5.1: Materials**

Designation	Material
Anchor sleeve with plate	PP, colour: natural
Plastic nail TermoFix PN 8	PA6 GF, colour: natural
Specific compound nail TermoFix CN 8	PA6 GF (plastic part of compound nail), colour: red, with galvanised steel Zn5/An as per EN ISO 4042
Cap	Polystyrene, mineral wood, soft wood fibre
Anchor plate / slip-on plate	PA6 GF, colour: grey, yellow, red, orange, green, blue, mocca-latte, black

**Cap**



**Drawing of the slip-on plate (e.g. DT 140)**



**Table A5.2: Slip-on plate and dimensions**

Anchor type	D [mm]	d <sub>dt</sub> [mm]	t [mm]
DT 90 / 110 / 140	90 / 110 / 140	22,5	3,9

Figures not to scale

**fischer TermoFix PN 8 | fischer TermoFix CN 8**

**Product description**

Materials, dimensions cap and slip-on plate for TermoFix PN 8 and TermoFix CN 8

**Annex A 5**

Appendix 6 / 13

## Specifications of intended use

### Anchorage subject to:

- The anchor may only be used for transmission of wind suction loads and shall not be used for the transmission of dead loads of the external thermal insulation composite system (ETICS).

### Base materials:

- Compacted normal weight concrete without fibres, strength classes  $\geq$  C12/15 (base material group "A"), in accordance with EN 206, see Annex C 1 and C 2.
- Solid brick masonry (base material group "B") as per EN 771-1, EN 771-2 or EN 771-3, see Annex C 1 and C 2.
- Hollow brick masonry (base material group "C"), as per EN 771-1, EN 771-2 or EN 771-3, see Annex C 1 and C 2.
- For other comparable base materials of the base material group "A", "B" and "C" the characteristic resistance of the anchor may be determined by job site tests in accordance with EOTA Technical Report TR 051.

### Temperature range:

- 0 °C to + 40 °C (max. short term temperature + 40 °C and max. long term temperature + 24 °C) of the base material.

### Design:

- The anchorages are designed under the responsibility of an engineer experienced in anchorages and masonry work with the partial safety factors for material related resistances  $\gamma_M = 2,0$  and for action loads  $\gamma_F = 1,5$  in absence of other national regulations.
- Verifiable calculation notes and drawings are prepared taking account of the loads to be anchored. The position of the anchors is indicated on the design drawings.
- Fasteners are only to be used for multiple fixings of external thermal insulation composite system.

### Installation:

- Drilling method according to Annex C 1 and C 2.
- Anchor installation carried out by appropriately qualified personnel and under the supervision of the person responsible for technical matters on the site.
- Installation temperature from 0 °C to + 40 °C.
- Exposure to UV due to solar radiation of the anchor not protected by rendering  $\leq$  6 weeks.

**fischer TermoFix PN 8 | fischer TermoFix CN 8**

**Intended use**  
Specifications

**Annex B 1**

Appendix 7 / 13



**Table B2.1: Installation parameters for base material groups “A” concrete, “B” solid bricks, “C” hollow or perforated bricks – flush mounting**

Anchor type		TermoFix PN 8 TermoFix CN 8
Nominal drill hole diameter	$d_0 =$ [mm]	8
Cutting diameter of drill bit	$d_{cut} \leq$ [mm]	8,45
Depth of drilled hole to deepest point	$h_1 \geq$ [mm]	40
Effective anchorage depth in the base material	$h_{ef} \geq$ [mm]	25

**Table B2.2: Installation parameters for base material groups “A” concrete, “B” solid bricks, “C” hollow or perforated bricks – countersunk mounting<sup>1)</sup>**

Anchor type		TermoFix PN 8 TermoFix CN 8
Nominal drill hole diameter	$d_0 =$ [mm]	8
Cutting diameter of drill bit	$d_{cut} \leq$ [mm]	8,45
Depth of drilled hole to deepest point	$h_1 \geq$ [mm]	40
Effective anchorage depth in the base material	$h_{ef} \geq$ [mm]	25

<sup>1)</sup> Recommended insulation thickness  $h_D + 20$  mm compared to flush mounting. Installation by pre-milling.

**Table B2.3: Minimum thickness of member, edge distances and spacing in all regulated base material groups**

Anchor type		TermoFix PN 8 TermoFix CN 8
Minimum thickness of member	$h_{min} =$ [mm]	100
Minimum spacing	$s_{min} =$ [mm]	100
Minimum edge distance	$c_{min} =$ [mm]	100

**Scheme of edge distances and spacing**  
for base material group “A”, concrete,  
group “B” solid bricks, group “C” hollow or  
perforated masonry

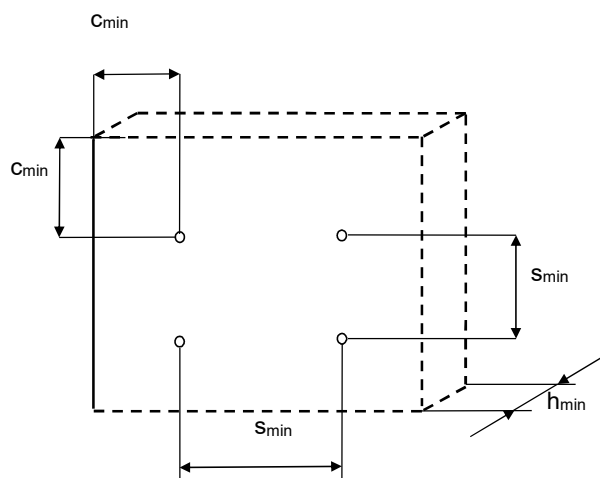


Figure not to scale

fischer TermoFix PN 8 | fischer TermoFix CN 8

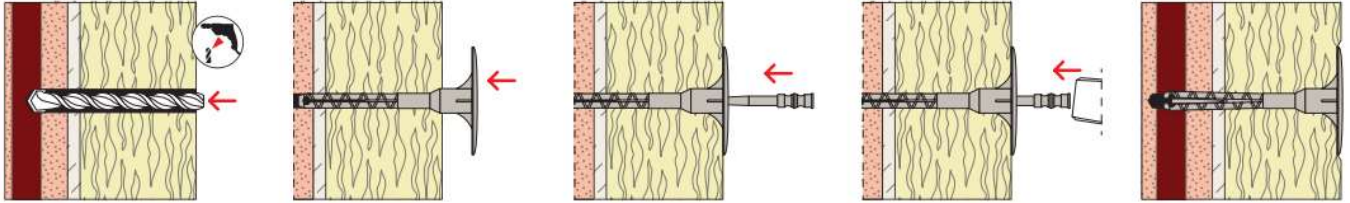
**Intended use**  
Installation parameters  
Minimum thickness of member, edge distances and spacing

**Annex B 2**

Appendix 8 / 13

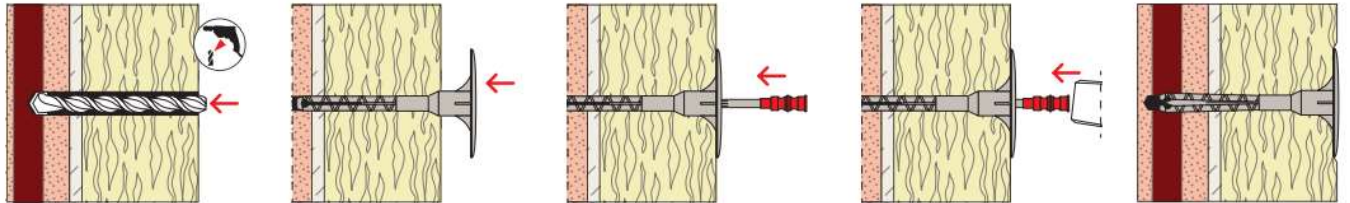
## Installation instruction

### Setting of anchor (flush mounting) by hammer / TermoFix PN 8



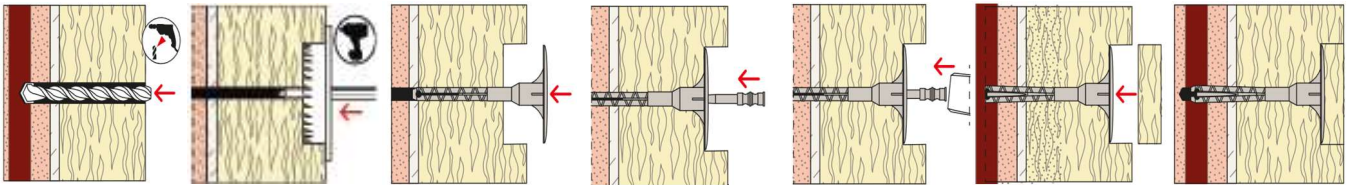
1. Drill hole by corresponding drilling method
2. Insert anchor sleeve manually
3. Insert nail manually
4. Set anchor by hammer blows
5. Correctly installed anchor

### Setting of anchor (flush mounting) by hammer / TermoFix CN 8



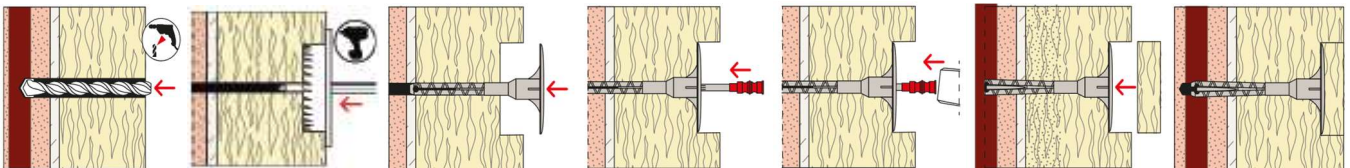
1. Drill hole by corresponding drilling method
2. Insert anchor sleeve manually
3. Insert nail manually
4. Set anchor by hammer blows
5. Correctly installed anchor

### Setting of anchor (countersunk mounting) by pre-milling / TermoFix PN 8



1. Drill hole by corresponding drilling method
2. Pre-milling of the insulation to a depth of 20 mm
3. Insert anchor sleeve manually
4. Insert nail manually
5. Set anchor by hammer blows
6. Put on cap
7. Correctly installed anchor

### Setting of anchor (countersunk mounting) by pre-milling / TermoFix CN 8



1. Drill hole by corresponding drilling method
2. Pre-milling of the insulation to a depth of 20 mm
3. Insert anchor sleeve manually
4. Insert nail manually
5. Set anchor by hammer blows
6. Put on cap
7. Correctly installed anchor

**fischer TermoFix PN 8 | fischer TermoFix CN 8**

**Intended use**  
Installation instruction

**Annex B 3**

Appendix 9 / 13

**Table C1.1: Characteristic resistance  $N_{Rk}$  to tension loads for single anchor TermoFix PN 8**

Base material	Group	Bulk density  $\rho$ [kg/dm <sup>3</sup> ]	Mean compressive strength / minimum compressive strength single brick as per EN 771 <sup>4)</sup>  [N/mm <sup>2</sup> ]	Remarks	Drilling method <sup>1)</sup>	Characteristic resistance to tension loads  $N_{Rk}$ [kN]
Concrete, C12/15 - C50/60 as per EN 206	A	-	-	-	H	<b>0,40</b>
Solid Clay bricks, Mz as per EN 771-1	B <sup>2)</sup>	≥ 1,8	≥ 35/28	-	H	<b>0,45</b>
Calcium silicate solid bricks, KS as per EN 771-2	B <sup>2)</sup>	≥ 2,0	≥ 35/28	-	H	<b>0,40</b>
Solid concrete blocks, Vbl as per EN 771-3	B <sup>2)</sup>	≥ 2,0	≥ 25/20	-	H	<b>0,35</b>
Vertically perforated clay bricks, HLz as per EN 771-1	C <sup>3)</sup>	≥ 1,6	≥ 60/48	-	R	<b>0,45</b>
Hollow calcium silicate brick, KSL as per EN 771-2	C <sup>3)</sup>	≥ 1,4	≥ 20/16	Exterior web thickness ≥ 16 mm.	H	<b>0,40</b>
Lightweight concrete hollow blocks, Hbn as per EN 771-3	C <sup>3)</sup>	≥ 1,4	≥ 15/12	-	H	<b>0,40</b>

<sup>1)</sup> H = Hammer drilling, R = Rotary drilling.

<sup>2)</sup> Vertically perforation ≤ 15%; cross section reduced by perforation vertically to the resting area.

<sup>3)</sup> Vertically perforation > 15 % and ≤ 50 %, cross section reduced by perforation vertically to the resting area.

<sup>4)</sup> The compressive strength of the single brick must not be less than 80% of the mean compressive strength.

**fischer TermoFix PN 8 | fischer TermoFix CN 8**

**Performances**  
Characteristic resistance to tension load TermoFix PN 8

**Annex C 1**

Appendix 10 / 13

**Table C2.1: Characteristic resistance  $N_{Rk}$  to tension loads for single anchor TermoFix CN 8**

Base material	Group	Bulk density  $\rho$ [kg/dm <sup>3</sup> ]	Mean compressive strength / minimum compressive strength single brick as per EN 771 <sup>4)</sup>  [N/mm <sup>2</sup> ]	Remarks	Drilling method <sup>1)</sup>	Characteristic resistance to tension loads  $N_{Rk}$ [kN]
Concrete, C12/15 - C50/60 as per EN 206	A	-	-	-	H	<b>0,40</b>
Solid Clay bricks, Mz as per EN 771-1	B <sup>2)</sup>	≥ 1,8	≥ 35/28	-	H	<b>0,45</b>
Calcium silicate solid bricks, KS as per EN 771-2	B <sup>2)</sup>	≥ 2,0	≥ 35/28	-	H	<b>0,40</b>
Solid concrete blocks, Vbl as per EN 771-3	B <sup>2)</sup>	≥ 2,0	≥ 25/20	-	H	<b>0,45</b>
Vertically perforated clay bricks, HLz as per EN 771-1	C <sup>3)</sup>	≥ 1,6	≥ 60/48	-	R	<b>0,45</b>
Hollow calcium silicate brick, KSL as per EN 771-2	C <sup>3)</sup>	≥ 1,4	≥ 20/16	Exterior web thickness ≥ 16 mm.	H	<b>0,45</b>
Lightweight concrete hollow blocks, Hbn as per EN 771-3	C <sup>3)</sup>	≥ 1,4	≥ 15/12	-	H	<b>0,45</b>

<sup>1)</sup> H = Hammer drilling, R = Rotary drilling.

<sup>2)</sup> Vertically perforation ≤ 15%; cross section reduced by perforation vertically to the resting area.

<sup>3)</sup> Vertically perforation > 15 % and ≤ 50 %, cross section reduced by perforation vertically to the resting area.

<sup>4)</sup> The compressive strength of the single brick must not be less than 80% of the mean compressive strength.

**fischer TermoFix PN 8 | fischer TermoFix CN 8**

**Performances**  
Characteristic resistance to tension load TermoFix CN 8

**Annex C 2**

Appendix 11 / 13

**Table C3.1: Point thermal transmittance according to EOTA Technical Report TR 025  
TermoFix PN 8 and TermoFix CN 8**

Anchor type	Mounting type	Thickness of insulation material $h_D$ [mm]	Point thermal transmittance $\chi$ [W/K]
TermoFix PN 8	flush mounting	60 - 180	0,000
	countersunk mounting	80 - 200	0,000
TermoFix CN 8	flush mounting	60 - 180	0,003
		200	0,002
	countersunk mounting	80 - 220	0,002

**Table C3.2: Plate stiffness according to EOTA Technical Report TR 026  
TermoFix PN 8 and TermoFix CN 8**

Anchor type	Max. size of the anchor plate $d_p$ [mm]	Load resistance of the anchor plate [kN]	Plate stiffness $c$ [kN/mm]
TermoFix PN 8 and TermoFix CN 8	60	1,0	0,30

**fischer TermoFix PN 8 | fischer TermoFix CN 8**

**Performances**  
Point thermal transmittance  
Plate stiffness

**Annex C 3**

Appendix 12 / 13

**Table C4.1: Displacements of TermoFix PN 8**

Base material	Mean compressive strength / minimum compressive strength single brick as per EN 771 <sup>1)</sup> [N/mm <sup>2</sup> ]	Tension load	Displacements
		N [kN]	$\Delta\delta_N$ [mm]
Concrete, C12/15 as per EN 206	-	0,13	0,11
Concrete, C20/25 as per EN 206	-	0,13	0,09
Concrete, C50/60 as per EN 206	-	0,13	0,07
Solid Clay bricks, Mz as per EN 771-1	$\geq 35/28$	0,15	0,14
Calcium silicate solid bricks, KS as per EN 771-2	$\geq 35/28$	0,13	0,13
Solid concrete blocks, Vbl as per EN 771-3	$\geq 25/20$	0,12	0,12
Vertically perforated clay bricks, HLz as per EN 771-1	$\geq 60/48$	0,15	0,19
Hollow calcium silicate brick, KSL as per EN 771-2	$\geq 20/16$	0,13	0,11
Lightweight concrete hollow blocks, Hbl as per EN 771-3	$\geq 15/12$	0,13	0,13

<sup>1)</sup> The compressive strength of the single brick must not be less than 80% of the mean compressive strength.

**Table C4.2: Displacements of TermoFix CN 8**

Base material	Mean compressive strength / minimum compressive strength single brick as per EN 771 <sup>1)</sup> [N/mm <sup>2</sup> ]	Tension load	Displacements
		N [kN]	$\Delta\delta_N$ [mm]
Concrete, C12/15 as per EN 206	-	0,13	0,11
Concrete, C20/25 as per EN 206	-	0,13	0,06
Concrete, C50/60 as per EN 206	-	0,13	0,08
Solid Clay bricks, Mz as per EN 771-1	$\geq 35/28$	0,15	0,19
Calcium silicate solid bricks, KS as per EN 771-2	$\geq 35/28$	0,13	0,13
Solid concrete blocks, Vbl as per EN 771-3	$\geq 25/20$	0,15	0,13
Vertically perforated clay bricks, HLz as per EN 771-1	$\geq 60/48$	0,15	0,22
Hollow calcium silicate brick, KSL as per EN 771-2	$\geq 20/16$	0,15	0,14
Lightweight concrete hollow blocks, Hbl as per EN 771-3	$\geq 15/12$	0,15	0,14

<sup>1)</sup> The compressive strength of the single brick must not be less than 80% of the mean compressive strength.

**fischer TermoFix PN 8 | fischer TermoFix CN 8**

**Performances**  
Displacements

**Annex C 4**