



PROHLÁŠENÍ O VLASTNOSTECH

DoP 0397

pro injektážní systém fischer FIS EM Plus (malta pro dodatečné vlepování výztuže)

CS

1. Jedinečný identifikační kód typu výrobku: **DoP 0397**
2. Zamýšlené/zamýšlená použití: **Systém pro dodatečné vlepování výztuže s vylepšením chováním při rozštěpení viz. dodatek, obzvláště Přílohy B1-B9.**
3. Výrobce: **fischerwerke GmbH & Co. KG, Otto-Hahn-Straße 15, 79211 Denzlingen, Německo**
4. Zplnomocněný zástupce: **-**
5. Systém/systémy POSV: **1**
6. Evropský dokument pro posuzování: **EAD 332402-00-0601**
Evropské technické posouzení: **ETA-22/0001; 2025-12-16**
Subjekt pro technické posuzování: **DIBt- Deutsches Institut für Bautechnik**
Oznámený subjekt/oznámené subjekty: **2873 TU Darmstadt**
7. Deklarovaná vlastnost/Deklarované vlastnosti:
Mechanická odolnost a stabilita (BWR 1)
Charakteristická únosnost v tahu (pro statickou a kvazistatickou akci):
Odolnost proti kombinovanému vytažení a porušení betonu v tlačené zóně betonu: Přílohy C1-C3
Odolnost proti selhání betonu: Příloha C1
Pevnost: Přílohy C1-C3
Odolnost proti selhání při rozštěpení spoje: Příloha C1
Vliv tažené zóny betonu na odolnost proti kombinovanému vytažení a porušení betonu: Přílohy C2, C3
8. Příslušná technická dokumentace a/nebo specifická technická dokumentace: **-**

Vlastnosti výše uvedeného výrobku jsou ve shodě se souborem deklarováných vlastností. Toto prohlášení o vlastnostech se v souladu s nařízením (EU) č. 305/2011 vydává na výhradní odpovědnost výrobce uvedeného výše.

Podepsáno za výrobce a jeho jménem:

Alexander Zanocco, Generální ředitel pro prodej a Generální ředitel pro výzkum a vývoj
Tumlingen, 2026-04-14

Dieter Pfaff, Vedoucí Mezinárodní produkční federace a řízení kvality

Toto PoV bylo připraveno v různých jazykových mutacích. V případě rozporu vždy rozhoduje interpretace verze v anglickém jazyce.

Příloha obsahuje nepovinné a doplňkové informace v anglickém jazyce nad rámec zákonných požadavků.

Specific Part

1 Technical description of the product

The subject of this European Technical Assessment is the post-installed connection, by anchoring or overlap connection joint, of reinforcing bars (rebars) in existing structures made of normal weight concrete, using the fischer injection system FIS EM Plus in accordance with the regulations for reinforced concrete construction.

Reinforcing bars with a diameter ϕ from 8 to 40 mm according to Annex A and the injection mortar FIS EM Plus are used for the post-installed rebar connection. The rebar is placed into a drilled hole filled with injection mortar and is anchored via the bond between embedded reinforcing bar, injection mortar and concrete.

The product description is given in Annex A.

2 Specification of the intended use in accordance with the applicable European assessment Document

The performances given in Section 3 are only valid if the rebar connection is used in compliance with the specifications and conditions given in Annex B.

The verifications and assessment methods on which this European Technical Assessment is based lead to the assumption of a working life of the rebar connections of at least 50 and/or 100 years. The indications given on the working life cannot be interpreted as a guarantee given by the producer, but are to be regarded only as a means for choosing the right products in relation to the expected economically reasonable working life of the works.

3 Performance of the product and references to the methods used for its assessment

3.1 Mechanical resistance and stability (BWR 1)

Essential characteristic	Performance
Characteristic resistance to tension load (static and quasi-static loading)	See Annexes C1 to C3
Characteristic resistance to tension load (seismic loading)	See Annex C4

3.2 Safety in case of fire (BWR 2)

Essential characteristic	Performance
Reaction to fire	Class A1

4 Assessment and verification of constancy of performance (AVCP) system applied, with reference to its legal base

In accordance with European Assessment Document EAD No. 332402-00-0601, the applicable European legal act is: [96/582/EC].

The system to be applied is: 1

Installation conditions and application examples reinforcing bars

Figure A1.1:

Column / wall to foundation / slab

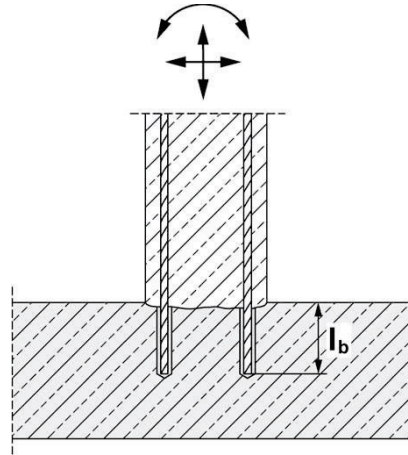
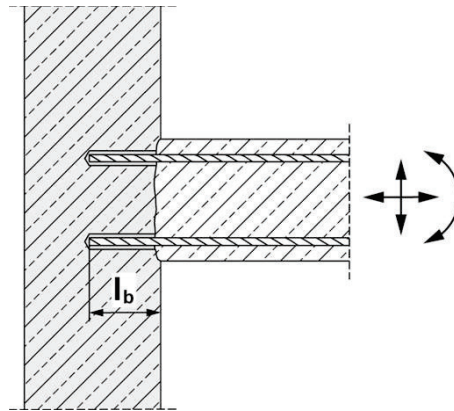


Figure A1.2:

Slab / beam to wall or beam to column



Figures not to scale

fischer injection system FIS EM Plus

Product description
Installation conditions and application examples reinforcing bars

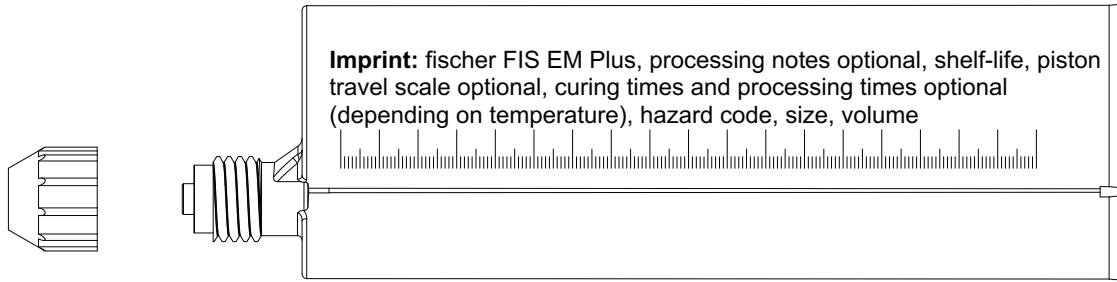
Annex A1
Appendix 2 / 17

Overview system components

Injection cartridge (shuttle cartridge) FIS EM Plus with sealing cap

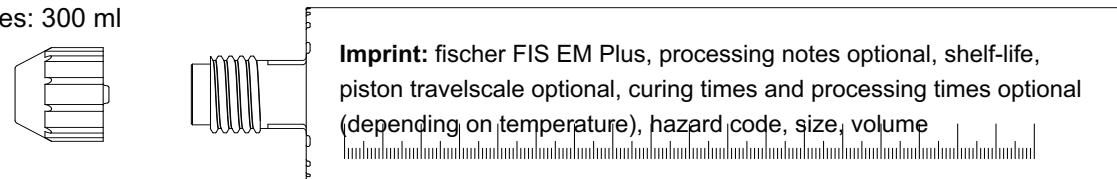
Sizes: 390 ml, 585 ml, 1500 ml (the 390 ml hard cartridge is shown as an example)

Size foil bag: 500 ml

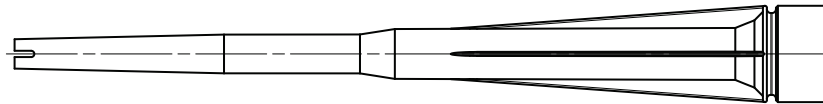


Injection cartridge (coaxial cartridge) FIS EM Plus with sealing cap

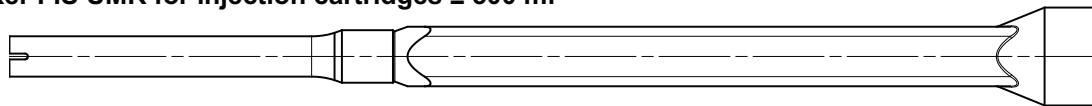
Sizes: 300 ml



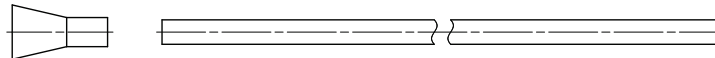
Static mixer FIS MR Plus for injection cartridges ≤ 500 ml



Static mixer FIS UMR for injection cartridges ≥ 500 ml



Injection adapter and extension tube $\varnothing 9$ for static mixer FIS MR Plus; Injection adapter and extension tube $\varnothing 9$ or $\varnothing 15$ for static mixer FIS UMR



Reinforcing bar (rebar) Sizes: $\varnothing 8$, $\varnothing 10$, $\varnothing 12$, $\varnothing 14$, $\varnothing 16$, $\varnothing 20$, $\varnothing 22$, $\varnothing 24$, $\varnothing 25$, $\varnothing 26$, $\varnothing 28$, $\varnothing 30$, $\varnothing 32$, $\varnothing 34$, $\varnothing 36$, $\varnothing 40$



fischer cleaning brush



Compressed-air cleaning tool with fischer compressed-air nozzle



Figures not to scale

fischer injection system FIS EM Plus

Product description

Overview system components: injection mortar, static mixer, injection adapter, reinforcing bar, cleaning tools

Annex A2

Appendix 3 / 17

Properties of reinforcing bars (rebar)

Figure A3.1:



- The minimum value of related rib area $f_{R,min}$ according to EN 1992-1-1:2011
- The maximum outer rebar diameter over the ribs shall be:
 - The nominal diameter of the bar with rib $\phi + 2 \cdot h_{rib}$ ($h_{rib} \leq 0,07 \cdot \phi$)
 - (ϕ : Nominal diameter of the bar; h_{rib} = rib height of the bar)

Table A3.1: Installation conditions for rebars

Nominal diameter of the bar		ϕ	8 ¹⁾	10 ¹⁾	12 ¹⁾	14	16	20	22	24			
Nominal drill hole diameter	d_0	[mm]	10	12	12	14	14	16	18	20	25	30	30
Drill hole depth	h_0		$h_0 \geq l_b$										
Effective embedment depth	$l_b = l_v$		acc. to static calculation										
Minimum thickness of concrete member	h_{min}		$l_b + 30$ (≥ 100)					$l_b + 2d_0$					

Nominal diameter of the bar		ϕ	25 ¹⁾	26	28	30	32	34	36	40	
Nominal drill hole diameter	d_0	[mm]	30	35	35	35	40	40	40	45	55
Drill hole depth	h_0		$h_0 \geq l_b$								
Effective embedment depth	$l_b = l_v$		acc. to static calculation								
Minimum thickness of concrete member	h_{min}		$l_b + 2d_0$								

¹⁾ Both drill hole diameters can be used

Table A3.2: Materials of rebars

Designation	Reinforcing bar (rebar)
Reinforcing bar EN 1992-1-1:2011, Annex C	Bars and de-coiled rods class B or C with f_{yk} and k according to NDP or NCI of EN 1992-1-1/NA $f_{uk} = f_{tk} = k \cdot f_{yk}$




fischer injection system FIS EM Plus

Product description
Properties and materials of reinforcing bars (rebar)

Annex A3
Appendix 4 / 17

Specifications of intended use part 1

Table B1.1: Overview use and performance categories

Fastenings subject to		FIS EM Plus with ...	
		Reinforcing bar 	
Hammer drilling with standard drill bit 		all sizes	
Hammer drilling with hollow drill bit (fischer "FHD", Heller "Duster Expert"; Bosch „Speed Clean“; Hilti "TE-CD, TE-YD", DreBo „D-Plus“, DreBo „D-Max“) 		Nominal drill bit diameter (d_0) 12 mm to 35 mm	
Use category	I1 dry or wet concrete	all sizes	
	I2 water filled hole	all sizes	
Characteristic resistance under static and quasi-static loading	in uncracked concrete	all sizes	Tables: C1.1 C1.2 C2.1 C3.1
	in cracked concrete	all sizes	
Seismic performance		all sizes	Table: C4.1
Installation direction	D3 (downward and horizontal and upwards (e.g. overhead))		
Installation temperature	$T_{i,min} = -5\text{ °C}$ to $T_{i,max} = +40\text{ °C}$ for the standard variation of temperature after installation		
In-service temperature	Temperature range I	-40 °C to +40 °C	(max. short term temperature +40 °C; max. long term temperature +24 °C)
	Temperature range II	-40 °C to +60 °C	(max. short term temperature +60 °C; max. long term temperature +35 °C)
	Temperature range III	-40 °C to +72 °C	(max. short term temperature +72 °C; max. long term temperature +50 °C)

fischer injection system FIS EM Plus	Annex B1 Appendix 5 / 17
Intended use Specifications part 1	

Specifications of intended use part 2

Anchorage subject to:

- Static and quasi-static loading: reinforcing bar (rebar) size 8 mm to 40 mm
- Seismic action: reinforcing bar (rebar) size 8 mm to 40 mm

Base materials:

- Compacted reinforced or unreinforced normal weight concrete without fibres according to EN 206:2013+A2:2021.
- Strength classes C20/25 to C50/60 according to EN 206:2013+A2:2021
- Maximum chloride content of 0,40 % (CL 0.40) related to the cement content according to EN 206:2013+A2:2021
- Non-carbonated concrete

Note: In case of a carbonated surface of the existing concrete structure, the carbonated layer shall be removed in the area of the post-installed rebar connection with a diameter of $\phi + 60$ mm prior to the installation of the new rebar. The depth of concrete to be removed shall correspond to at least the minimum concrete cover in accordance with EN 1992-1-1:2011. The foregoing may be neglected if building components are new and not carbonated and if building components are in dry conditions.

Design:

- The structural design according to EN 1992-1-1:2011, EN 1992-1-2:2011 and Annex B3 and B4 are conducted under responsibility of a designer experienced in the field of anchorages and concrete works.
- Verifiable calculation notes and drawings are prepared taking account of the forces to be transmitted.
- Design under static and quasi-static loading and for seismic actions in accordance with EOTA Technical Report TR 069 June 2021.
- The actual position of the reinforcement in the existing structure shall be determined on the basis of the construction documentation and taken into account when designing.
- The shear force must be transferred via the rough joint; the subsequent reinforcement must not be applied for shear force transfer.

Installation:

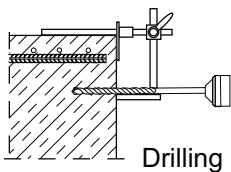
- Rebar installation carried out by appropriately qualified personnel and under the supervision of the person responsible for technical matters of the site.
- Check the position of the existing rebars (if the position of existing rebars is not known, it shall be determined using a rebar detector suitable for this purpose as well as on the basis of the construction documentation and then marked on the building component for the overlap joint).
- Rebars in overhead installation have to be fixed in their position until the injection mortar is cured.

fischer injection system FIS EM Plus

Intended use
Specifications part 2

Annex B2
Appendix 6 / 17

Table B3.1: Minimum concrete cover c_{min} ¹⁾ depending on the drilling method and the drilling tolerance ²⁾

Drilling method	nominal diameter of reinforcing bar ϕ [mm]	Minimum concrete cover c_{min}		
		Without drilling aid [mm]	With drilling aid [mm]	
Hammer drilling with standard drill bit	< 25	30 mm + 0,06 $l_b \geq 2 \phi$	30 mm + 0,02 $l_b \geq 2 \phi$	
	≥ 25	40 mm + 0,06 $l_b \geq 2 \phi$	40 mm + 0,02 $l_b \geq 2 \phi$	
Hammer drilling with hollow drill bit (fischer "FHD", Heller "Duster Expert"; Bosch "Speed Clean"; Hilti "TE-CD, TE-YD")	< 25	30 mm + 0,06 $l_b \geq 2 \phi$	30 mm + 0,02 $l_b \geq 2 \phi$	
	≥ 25	40 mm + 0,06 $l_b \geq 2 \phi$	40 mm + 0,02 $l_b \geq 2 \phi$	

¹⁾ Note: The minimum concrete cover as specified in EN 1992-1-1:2011 must be observed.

²⁾ Minimum clear spacing is $a = \max(40 \text{ mm}; 4 \cdot \phi)$

Table B3.2: Dispensers and cartridge sizes corresponding to maximum embedment depth $l_{b,max}$

reinforcing bars (rebar)	Manual dispenser	Pneumatic or cordless dispenser (small)	Pneumatic or cordless dispenser (large)
	Cartridge size 300 ml, 390 ml, 500 ml, 585 ml	Cartridge size 300 ml, 390 ml, 500 ml, 585 ml	Cartridge size 1500 ml
ϕ [mm]	$l_{b,max}$ [mm]	$l_{b,max}$ [mm]	$l_{b,max}$ [mm]
8	1000	1000	1800
10			
12			
14		1500	
16			
20	700	1300 ¹⁾	2000
22 / 24 / 25		1000 ¹⁾	
26 / 28	500	700 ¹⁾	
30 / 32 / 34	no performance assessed	500 ¹⁾	
36 / 40			

¹⁾ Not possible with the 300 ml cartridge.

Figures not to scale

fischer injection system FIS EM Plus

Intended use

Minimum concrete cover;
dispenser and cartridge sizes corresponding to maximum embedment depth

Annex B3

Appendix 7 / 17

Table B4.1: Conditions for use static mixer without an extension tube

Nominal drill hole diameter	d_0	[mm]	10	12	14	16	18	20	24	25	28	30	35	40
			Drill hole depth h_0 by using	FIS MR Plus	≤90	≤120	≤140	≤150	≤160	≤190	≤210			
	FIS UMR	-	-	≤90	≤160	≤180	≤190	≤220		≤250				

Table B4.2: Working times t_{work} and curing times t_{cure}

Temperature at anchoring base [°C]	Maximum processing time ¹⁾ t_{work}	Minimum curing time ²⁾ t_{cure}
-5 to 0	240 min ³⁾	200 h
>0 to 5	150 min ³⁾	90 h
>5 to 10	120 min ³⁾	40 h
>10 to 20	30 min	18 h
>20 to 30	14 min	10 h
>30 to 40	7 min ⁴⁾	5 h

¹⁾ Maximum time from the beginning of the injection to the setting and the final positioning of the rebar

²⁾ For wet concrete the curing time must be doubled

³⁾ If the temperature in the concrete falls below 10 °C the cartridge must be warmed up to +15 °C.

⁴⁾ If the temperature in the concrete exceeds 30 °C the cartridge must be cooled down to +15 °C up to 20 °C

Table B4.3: Installation tools for drilling and cleaning the bore hole and injection of the mortar

reinforcing bars (rebar)	Drilling and cleaning				Injection	
	Nominal drill bit diameter d_0 [mm]	Diameter of cutting edge d_{cut} [mm]	Steel brush diameter d_b [mm]	Diameter of cleaning nozzle ³⁾ [mm]	Diameter of extension tube [mm]	Injection adapter [colour]
8 ¹⁾	10 ²⁾	≤ 10,50	11	---	9	---
	12	≤ 12,50	14			nature
10 ¹⁾	12	≤ 12,50	14	11		blue
	14	≤ 14,50	16			red
12 ¹⁾	14	≤ 14,50	16	15	yellow	
	16	≤ 16,50	20		green	
14	18	≤ 18,50	20	19	black	
16	20	≤ 20,55	25		grey	
20	25	≤ 25,55	27		grey	
22 / 24	30	≤ 30,55	32	28	brown	
	30	≤ 30,55	32		grey	
25 ¹⁾	35	≤ 35,70	37		38	red
	35	≤ 35,70	37			yellow
26 / 28	35	≤ 35,70	37	38	nature	
30 / 32 / 34	40 ²⁾	≤ 40,70	42			
36	45 ²⁾	≤ 45,70	47			
40	55 ²⁾	≤ 55,70	58			

¹⁾ Both drill bit diameters can be used

²⁾ Only hammer drilling with standard drill bit

³⁾ Cleaning nozzle and extension is only necessary if bore hole depth is greater than the length of compressed-air cleaning tool

fischer injection system FIS EM Plus

Intended use

Conditions for use static mixer without an extension tube; Working times and curing times; Installation tools for drilling and cleaning the bore hole and injection of the mortar

Annex B4

Appendix 8 / 17

Safety regulations

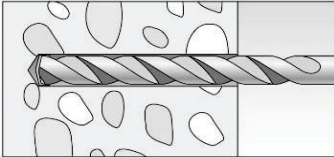
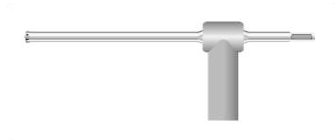
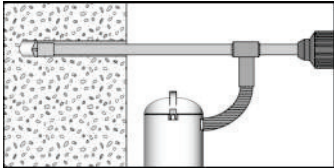
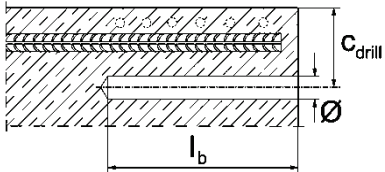
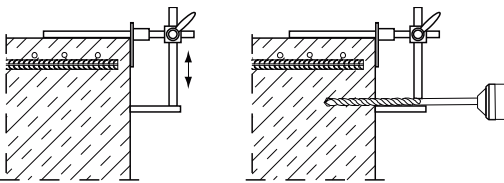


Review the Safety Data Sheet (SDS) before use for proper and safe handling!
 Wear well-fitting protective goggles and protective gloves when working with mortar FIS EM Plus.
 Important: Observe the instructions for use provided with each cartridge.

Installation instruction part 1

Hole drilling

Note: Before drilling, remove carbonated concrete; clean contact areas (see Annex B2)
 In case of aborted drill holes the drill hole shall be filled with mortar.

<p>1a</p>	<p>Hammer drilling with standard drill bit</p> 	<p>Drill the hole to the required embedment depth using a hammer drill with carbide drill bit set in rotation hammer mode. Nominal drill hole diameter d_0 (see Table B4.3) and drill hole depth h_0 (see Table A3.1).</p>
<p>1b</p>	<p>Hammer drilling with hollow drill bit</p> 	<p>Check a suitable hollow drill (see Table B1.1) for correct operation of the dust extraction.</p>
		<p>Drill the hole to the required embedment depth using a hammer drill with hollow drill bit in rotation hammer mode. Dust extraction conditions see drill hole cleaning Annex B6. Nominal drill hole diameter d_0 (see Table B4.3) and drill hole depth h_0 (see Table A3.1).</p>
<p>2</p>		<p>Measure and control concrete cover c $(c_{drill} = c + \varnothing / 2)$ Drill parallel to surface edge and to existing rebar. Where applicable use fischer drilling aid.</p>
		<p>For holes $l_b > 20$ cm use drilling aid. Three different options can be considered: A) fischer drilling aid B) Slat or spirit level C) Visual check</p> <p>Minimum concrete cover c_{min} see Table B3.1.</p>

fischer injection system FIS EM Plus

Intended use

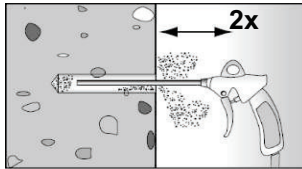
Safety regulations; Installation instruction part 1, hole drilling

Annex B5

Appendix 9 / 17

Installation instruction part 2

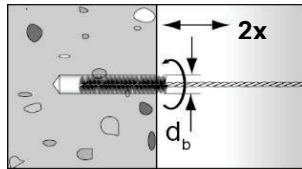
Drill hole cleaning (hammer drilling with standard drill bit)



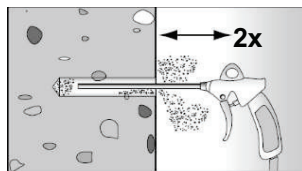
Cleaning the drill hole.
Blow out the drill hole twice, with oil free compressed air ($p \geq 6$ bar).
If the drill hole depth is greater than the length of the compressed-air cleaning tool, an extension and appropriate fischer cleaning nozzle must be used.
Corresponding diameters see **Table B4.3**.



3a



Brush the drill hole twice. For drill hole diameter ≥ 30 mm use a power drill.
For deep holes use an extension. Corresponding brushes see **table B4.3**.



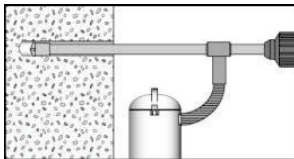
Cleaning the drill hole:
Blow out the drill hole twice, with oil free compressed air ($p \geq 6$ bar).
If the drill hole depth is greater than the length of the compressed-air cleaning tool, an extension and appropriate fischer cleaning nozzle must be used.
Corresponding diameters see **Table B4.3**.



Go to step 4

Drill hole cleaning (hammer drilling with hollow drill bit)

3b



Use a suitable dust extraction system, e. g. fischer FVC 35 M or a comparable dust extraction system with equivalent performance data.

Drill the hole with hollow drill bit. The dust extraction system has to extract the drill dust nonstop during the drilling process and must be adjusted to maximum power. Check the hollow drill for correct operation of the dust extraction.
No further cleaning steps necessary.

Go to step 4

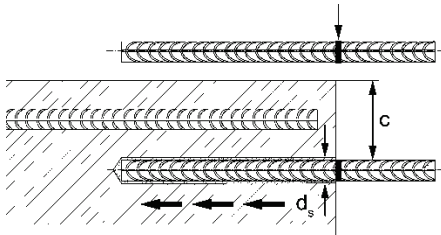
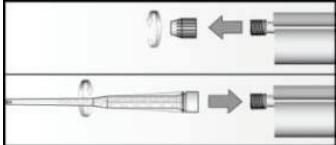
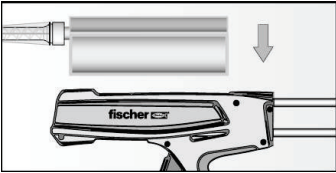

fischer injection system FIS EM Plus

Intended use
Installation instruction part 2, drill hole cleaning

Annex B6
Appendix 10 / 17

Installation instruction part 3

Reinforcing bars (rebar) and cartridge preparation

4		<p>Before use, make asure that the rebar is dry and free of oil or other residue. Mark the embedment depth l_b (e.g. with tape) Insert rebar in borehole, to verify drill hole depth and setting depth l_b.</p>
5		<p>Twist off the sealing cap Twist on the static mixer (the spiral in the static mixer must be clearly visible).</p>
6		<p>Place the cartridge into a suitable dispenser. When using the foilbag, the foil container holder must be used.</p>
7		<p>Press out approximately 10 cm of mortar until the resin is permanently grey in colour. Mortar which is not grey in colour will not cure and must be disposed.</p>

Go to step 8

fischer injection system FIS EM Plus

Intended use

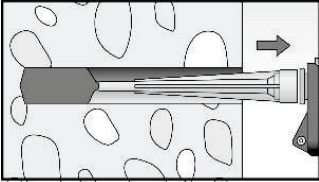
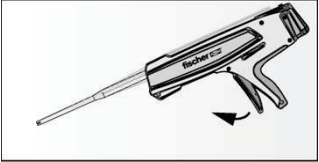
Installation instruction part 3,
 reinforcing bars (rebar) and cartridge preparation

Annex B7

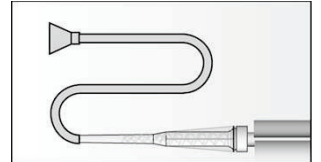
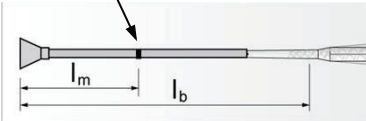
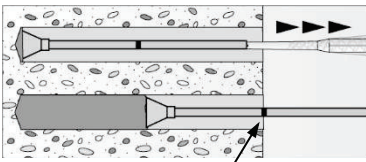
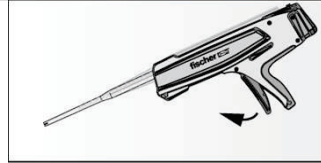
Appendix 11 / 17

Installation instruction part 4; Installation with FIS EM Plus

Injection of the mortar without extension tube

8a		<p>Inject the mortar from the back of the hole towards the front and slowly withdraw the static mixer step by step with each trigger pull. Avoid bubbles.</p> <p>Fill holes approximately 2/3 (for $h_0 = l_b$) full, to ensure that the annular gap between the rebar and the concrete will be completely filled with adhesive over the entire embedment length. For $h_0 > l_b$ more mortar is needed.</p> <p>The conditions for mortar injection without extension tube can be found in Table B4.1</p>
		<p>After injecting, release the dispenser. This will prevent further mortar discharge from the static mixer.</p>

Injection of the mortar with extension tube

		<p>Assemble mixing nozzle FIS MR Plus or FIS UMR, extension tube and appropriate injection adapter (see Table B4.3).</p>
8b	<p>Mortar level mark</p> 	<p>Mark the required mortar level l_m and embedment depth l_b with tape or marker on the injection extension tube.</p> <p>a) Estimation:</p> $l_m = \frac{1}{3} \cdot l_b \text{ [mm]}$ <p>b) Precise equation for optimum mortar volume:</p> $l_m = l_b \cdot \left(\left(1,2 \cdot \frac{d_s^2}{d_b^2} - 0,2 \right) \right) \text{ [mm]}$
	 <p>Mortar level mark</p>	<p>Insert injection adapter to back of the hole. Begin injection allowing the pressure of the injected adhesive mortar to push the injection adapter towards the front of the hole. Do not actively pull out!</p> <p>Fill holes approximately 2/3 (for $h_0 = l_b$) full, to ensure that the annular gap between the rebar and the concrete will be completely filled with adhesive over the embedment length. For $h_0 > l_b$ more mortar is needed. When using an injection adapter continue injection until the mortar level mark l_m becomes visible.</p> <p>Maximum embedment depth, see Table B3.2.</p>
		<p>After injecting, release the dispenser. This will prevent further mortar discharge from the static mixer.</p>

Go to step 9

fischer injection system FIS EM Plus

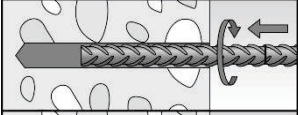

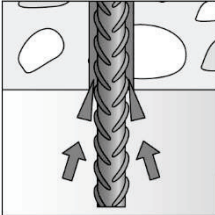

Intended use
Installation instruction part 4, mortar injection

Annex B8

Appendix 12 / 17

Installation instruction part 5; Installation with FIS EM Plus

Insert rebar

9		<p>Insert the rebar slowly twisted into the borehole until the embedment mark is reached.</p> <p>Recommendation: Rotation back and forth of the reinforcement bar makes pushing easy</p>
10		<p>After installing the rebar the annular gap must be completely filled with mortar.</p> <p>Proper installation</p> <ul style="list-style-type: none">• Desired embedment depth is reached l_b: embedment mark at concrete surface• Excess mortar flows out of the borehole after the rebar have been fully inserted up to the embedment mark.
11		<p>For overhead installation, support the rebar and secure it from falling till mortar started to harden, e.g. using wedges.</p>
12		<p>Observe the working time "t_{work}" (see Table B4.2), which varies according to temperature of base material. Minor adjustments to the rebar position may be performed during the working time</p> <p>Full load may be applied only after the curing time "t_{cure}" has elapsed (see Table B4.2)</p>

fischer injection system FIS EM Plus

Intended use
Installation instruction part 5, insert rebar

Annex B9
Appendix 13 / 17

Table C1.1: Characteristic resistance under tension loading for reinforcing bars

Size		All sizes			
Characteristic resistance under tension loading					
Installation factor	γ_{inst}	[-]	See Annex C2 to C3		
Factors for the compressive strength of concrete > C20/25					
Increasing factor ψ_c for cracked or uncracked concrete $\tau_{Rk,C(X/Y)} = \psi_c \cdot \tau_{Rk (C20/25)}$	C25/30	[-]	1,02		
	C30/37		1,04		
	C35/45		1,06		
	C40/50		1,07		
	C45/55		1,08		
	C50/60		1,09		
Concrete cone failure					
Uncracked concrete	$k_{ucr,N}$	[-]	11,0		
Cracked concrete	$k_{cr,N}$		7,7		
Edge distance	$c_{cr,N}$	[mm]	$1,5 \cdot l_b$		
Spacing	$s_{cr,N}$		$3 \cdot l_b$		
Factors for sustained tension loading					
Temperature range			24 °C / 40 °C	35 °C / 60 °C	50 °C / 72 °C
Factor	ψ_{sus}^0	[-]	0,77	0,60	0,48
Factor	$\psi_{sus,100}^0$		0,77	0,60	0,71

Table C1.2: Essential characteristics under tension loading for reinforcing bars in hammer drilled holes; uncracked or cracked concrete; working life 50 and 100 years

Nominal diameter of the bar		ϕ	8	10	12	14	16	18	20	22	24	25	26	28	30	32	34	36	40
Bond-splitting failure for working life of 50 and 100 years																			
Calculation diameter	d	[mm]	8	10	12	14	16	18	20	22	24	25	26	28	30	32	34	36	40
Hammer-drilling with standard drill bit or hollow drill bit for 50 and 100 years																			
Product basic factor	A_k	[-]	4,4																
Exponent for influence of concrete compressive strength	sp1		0,33																
Exponent for influence of rebar diameter ϕ	sp2		0,34																
Exponent for influence of concrete cover c_d	sp3		0,62																
Exponent for influence of side concrete cover (c_{max} / c_d)	sp4		0,33																
Exponent for influence of anchorage length l_b	lb1		0,68																

fischer injection system FIS EM Plus	Annex C1 Appendix 14 / 17
Performances Characteristic resistance under tension loading for reinforcing bars; uncracked or cracked concrete; working life 50 and 100 years	

Table C2.1: Characteristic resistance under tension loading for reinforcing bars in hammer drilled holes; uncracked or cracked concrete; working life 50 years

Nominal diameter of the bar		ϕ	8	10	12	14	16	18	20	22	24		
Combined pullout and concrete cone failure													
Calculation diameter	d	[mm]	8	10	12	14	16	18	20	22	24		
Uncracked concrete													
Characteristic bond resistance in uncracked concrete C20/25													
Hammer-drilling with standard drill bit or hollow drill bit (dry or wet concrete)													
Temperature range	I: 24 °C / 40 °C	$\tau_{Rk,ucr,50}$	[N/mm ²]	16,0	16,8	16,1	15,5	15,0	14,6	14,2	14,0	13,6	
	II: 35 °C / 60 °C			16,0	15,0	15,0	14,0	14,0	13,0	13,0	13,0	13,0	12,0
	III: 50 °C / 72 °C			15,0	14,0	14,0	13,0	13,0	12,0	12,0	12,0	12,0	12,0
Hammer-drilling with standard drill bit or hollow drill bit (water filled hole)													
Temperature range	I: 24 °C / 40 °C	$\tau_{Rk,ucr,50}$	[N/mm ²]	16,0	16,8	16,1	14,9	14,4	13,4	13,0	12,1	11,8	
	II: 35 °C / 60 °C			16,0	16,0	14,0	13,0	12,0	12,0	11,0	11,0	10,0	
	III: 50 °C / 72 °C			15,0	14,0	13,0	12,0	12,0	11,0	11,0	10,0	10,0	
Installation factors													
Dry or wet concrete	γ_{inst}	[-]	1,0										
Water filled hole			1,4										
Influence of cracked concrete on combined pullout and concrete cone failure													
Hammer-drilling with standard drill bit or hollow drill bit (dry or wet concrete / water filled holes)													
Factor for cracked concrete	$\Omega_{cr,03}$	[-]	0,91	0,91	0,91	0,91	0,91	0,91	0,91	0,92	0,92	0,92	

Nominal diameter of the bar		ϕ	25	26	28	30	32	34	36	40	
Combined pullout and concrete cone failure											
Calculation diameter	d	[mm]	25	26	28	30	32	34	36	40	
Uncracked concrete											
Characteristic bond resistance in uncracked concrete C20/25											
Hammer-drilling with standard drill bit or hollow drill bit (dry or wet concrete)											
Temperature range	I: 24 °C / 40 °C	$\tau_{Rk,ucr,50}$	[N/mm ²]	13,5	13,3	13,1	12,9	12,7	12,5	12,4	12,1
	II: 35 °C / 60 °C			12,0	12,0	12,0	12,0	12,0	11,0	11,0	11,0
	III: 50 °C / 72 °C			11,0	11,0	11,0	11,0	11,0	11,0	10,0	10,0
Hammer-drilling with standard drill bit or hollow drill bit (water filled hole)											
Temperature range	I: 24 °C / 40 °C	$\tau_{Rk,ucr,50}$	[N/mm ²]	11,5	11,4	10,6	10,5	10,3	9,0	8,0	8,0
	II: 35 °C / 60 °C			10,0	10,0	10,0	9,0	9,0	9,0	8,0	8,0
	III: 50 °C / 72 °C			9,0	9,0	9,0	9,0	8,0	8,0	8,0	8,0
Installation factors											
Dry or wet concrete	γ_{inst}	[-]	1,0								
Water filled hole			1,4								
Influence of cracked concrete on combined pullout and concrete cone failure											
Hammer-drilling with standard drill bit or hollow drill bit (dry or wet concrete / water filled holes)											
Factor for cracked concrete	$\Omega_{cr,03}$	[-]	0,92	0,92	0,92	0,92	0,93	0,93	0,93	0,93	

fischer injection system FIS EM Plus

Performances

Characteristic resistance under tension loading for reinforcing bars; uncracked or cracked concrete; working life 50 years

Annex C2

Appendix 15 / 17

Table C3.1: Characteristic resistance under tension loading for reinforcing bars in hammer drilled holes; uncracked or cracked concrete; working life 100 years

Nominal diameter of the bar		ϕ	8	10	12	14	16	18	20	22	24			
Combined pullout and concrete cone failure														
Calculation diameter	d	[mm]	8	10	12	14	16	18	20	22	24			
Uncracked concrete														
Characteristic bond resistance in uncracked concrete C20/25														
Hammer-drilling with standard drill bit or hollow drill bit (dry or wet concrete)														
Tem- perature range	I: 24 °C / 40 °C		$\tau_{Rk,ucr,100}$	[N/mm ²]	12,0	13,8	13,2	12,7	12,3	12,0	11,6	11,5	11,2	
	II: 35 °C / 60 °C				12,0	11,3	11,3	10,5	10,5	9,8	9,8	9,8	9,8	9,0
	III: 50 °C / 72 °C				8,3	8,4	8,4	8,5	8,5	7,8	7,8	7,8	7,8	7,8
Hammer-drilling with standard drill bit or hollow drill bit (water filled hole)														
Tem- perature range	I: 24 °C / 40 °C		$\tau_{Rk,ucr,100}$	[N/mm ²]	12,0	13,8	13,2	12,2	11,8	11,0	10,7	9,9	9,7	
	II: 35 °C / 60 °C				12,0	12,0	10,5	9,8	9,0	9,0	8,3	8,3	7,5	
	III: 50 °C / 72 °C				8,3	8,4	7,8	7,8	7,8	7,2	7,2	6,5	6,5	
Installation factors														
Dry or wet concrete		γ_{inst}	[-]	1,0										
Water filled hole				1,4										
Influence of cracked concrete on combined pullout and concrete cone failure														
Hammer-drilling with standard drill bit or hollow drill bit (dry or wet concrete / water filled holes)														
Factor for cracked concrete	$\Omega_{cr,03}$	[-]	0,91	0,91	0,91	0,91	0,91	0,91	0,91	0,92	0,92	0,92		

Nominal diameter of the bar		ϕ	25	26	28	30	32	34	36	40		
Combined pullout and concrete cone failure												
Calculation diameter	d	[mm]	25	26	28	30	32	34	36	40		
Uncracked concrete												
Characteristic bond resistance in uncracked concrete C20/25												
Hammer-drilling with standard drill bit or hollow drill bit (dry or wet concrete)												
Tem- perature range	I: 24 °C / 40 °C		$\tau_{Rk,ucr,100}$	[N/mm ²]	11,1	10,9	10,8	10,6	10,5	10,3	10,1	9,9
	II: 35 °C / 60 °C				9,0	9,0	9,0	9,0	9,0	8,3	8,3	8,3
	III: 50 °C / 72 °C				7,2	7,2	7,2	7,2	7,2	7,2	6,5	6,5
Hammer-drilling with standard drill bit or hollow drill bit (water filled hole)												
Tem- perature range	I: 24 °C / 40 °C		$\tau_{Rk,ucr,100}$	[N/mm ²]	9,4	9,3	8,7	8,6	8,5	6,8	6,0	6,0
	II: 35 °C / 60 °C				7,5	7,5	7,5	6,8	6,8	6,8	6,0	6,0
	III: 50 °C / 72 °C				5,9	5,9	5,9	5,2	5,2	5,2	5,2	5,2
Installation factors												
Dry or wet concrete		γ_{inst}	[-]	1,0								
Water filled hole				1,4								
Influence of cracked concrete on combined pullout and concrete cone failure												
Hammer-drilling with standard drill bit or hollow drill bit (dry or wet concrete / water filled holes)												
Factor for cracked concrete	$\Omega_{cr,03}$	[-]	0,92	0,92	0,92	0,92	0,93	0,93	0,93	0,93		

fischer injection system FIS EM Plus

Performances

Characteristic resistance under tension loading for reinforcing bars; uncracked or cracked concrete; working life 100 years

Annex C3

Appendix 16 / 17

Table C4.1: Characteristic resistance under tension loading for reinforcing bars (rebars) in concrete under seismic action; working life of 50 and 100 years

Nominal diameter of the bar		ϕ	8	10	12	14	16	18	20	22	24	25	26	28	30	32	34	36	40
Resistance to pull-out failure in uncracked concrete under cyclic loading for working life of 50 and 100 years																			
Hammer-drilling with standard drill bit or hollow drill bit (dry or wet concrete)																			
Reduction factor for pull-out Resistance under seismic action	$\alpha_{eq,p}$	[N/mm ²]	0,76												1,0				
Influence of increased crack width on resistance to pull-out failure for working life of 50 and 100 years																			
Hammer-drilling with standard drill bit or hollow drill bit (dry or wet concrete)																			
Factor for influence of cracked concrete	$\Omega_{cr,05}^{1)}$	[-]	0,86	0,86	0,86	0,86	0,86	0,86	0,86	0,86	0,86	0,86	0,86	0,86	0,87	0,87	0,87	0,87	0,87
	$\Omega_{cr,08}^{1)}$		0,76	0,76	0,76	0,76	0,76	0,76	0,76	0,76	0,76	0,76	0,76	0,76	0,76	0,76	0,76	0,73	0,70
Resistance to bond-splitting failure under cyclic loading for working life of 50 and 100 years																			
Hammer-drilling with standard drill bit or hollow drill bit (dry or wet concrete)																			
Reduction factor for bond-splitting resistance under seismic action	$\alpha_{eq,sp}$	[-]	0,94																

1) Assumed crack width in accordance with EOTA Technical Report TR 069 June 2021; Section 3.6.

fischer injection system FIS EM Plus

Performances

Characteristic resistance under tension loading for reinforcing bars (rebars) in concrete under seismic action working life of 50 and 100 years

Annex C4

Appendix 17 / 17